

The ENSTO logo is displayed in a bold, blue, sans-serif font. The letters are closely spaced, with the 'E' and 'N' being particularly prominent. The logo is positioned in the upper right corner of the page.

ENSTO

Enclosures

For demanding environments



Better life.
With electricity.

We offer you high-quality standard and customer-specific enclosures for the most demanding environments.

ensto.com



Enclosures

We offer you enclosing solutions for the most demanding environments. We are a reliable and flexible partner with experienced people. Our sound knowledge of many applications and various raw materials, make us a real expert in this field. You can rely on our competence and quality.

Our enclosures are developed for demanding industrial environments requiring a high degree of protection and extreme durability. We offer you high-quality standard and customer-specific enclosing solutions.

Our enclosures are continually developed for long lifespans and to withstand the toughest conditions on earth. Durable products mean uninterrupted operations, lower maintenance costs and, above all, satisfied customers. Durable products mean uninterrupted operations, lower maintenance costs and, above all, satisfied customers.

Table of Contents

Enclosures.	4
Choosing an enclosure	6
Thermoplastic enclosures.	14
Polyester enclosures	42
Aluminium enclosures	47
Common enclosure accessories	50
Fire protection junction boxes	54
Dimensional drawings	62
Index	96





Enclosures

For demanding environments

We are specialists in enclosures and customer-specific enclosing solutions. Our standard product range includes thermoplastic, polyester, and aluminium enclosures, with the related accessories suitable for demanding environments.

Our enclosing solutions protect your electronic equipment in numerous applications from various external risk factors, among them dust, water, moisture, impacts and tampering. Thanks to their high degree of protection and impact strength, our solutions are able to withstand challenging environments in even the most demanding industries.

Typical applications include:

- › Food industry and agriculture
- › Infrastructure
- › Shipbuilding and transportation
- › Industrial automation
- › Energy production



Choosing an enclosure

When choosing a protective enclosure, understanding the principles of operation of the equipment that will be installed, as well as the conditions in which that equipment will operate, is crucial. With this information, precise and accurate identification of the required enclosure parameters is possible. Parameters to be considered include:

Material

Our Ensto Cubo range includes enclosures made of thermoplastics (ABS and polycarbonate), polyester, and aluminium. We use high-quality materials provided to us by the world's leading suppliers. Using the right material ensures the safety of the installed equipment

and its users while also eliminating the risk of unnecessary additional costs arising from unexpected downtime. The maintenance needs of an enclosure depend on the materials used.



Dimensions

The size of the enclosure is determined by the minimum and/or maximum dimensions of the application. When selecting the size, please consider whether further components are likely to be added at a later stage and, if so, whether the dimensions of the enclosure will still be adequate.

We have a wide range of sizes available for our standard enclosures. In addition to these, we can create solutions with customer-specific sizes.



Degree of protection

For effective enclosure, the degree of protection is an important factor. The degree of protection is defined purely for the enclosure and should be maintained during the installation work, meaning that, for instance the IP class of the cable glands used for cable entries should be higher or the same as that of the enclosure. Further information about degrees of protection is available on page 10.

IP code (European standard EN 60529)

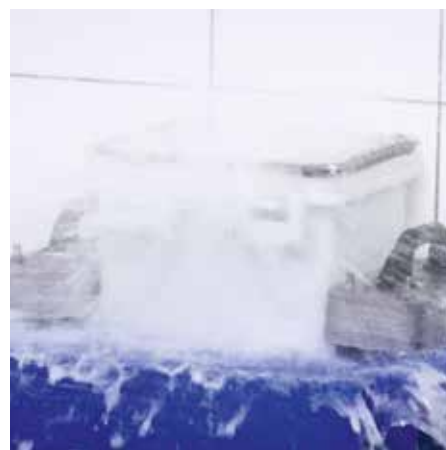
All Ensto Cubo enclosures are designed for use in demanding environments. Their IP code ranges between IP65 and IP69.

IK code (European standard EN 62262)

The IK code for our thermoplastic enclosures ranges between IK06 and IK10.

Environmental type classification UL 50 E

Our enclosures are tested according to American environmental type classification by the UL. Environmental type classification is also known as NEMA classification. Further information can be found on the UL website www.ul.com.



Flammability

Flammability is defined as how easily something will burn or ignite, causing fire or combustion. The flammability-related requirements for an enclosure depend on the application for which it is used. Flammability class refers to classification of the ignition- and burning-resistance characteristics of other than

metal or ceramic materials. Our enclosures have been tested in terms of flammability by Underwriters Laboratories. Most of our polycarbonate enclosures have been tested according to UL 746C and pass the demanding five-inch flame testing performed and certified by SGS. The flammability rating of our polycar-

bonate enclosure raw material is UL 94 V-2 / 5VA and ABS enclosure is UL 94 HB.

Our plastic enclosures also fulfill the glow wire test according to IEC 60695-2-11. Please see the Ensto Cubo technical information table below for further details.

Certificates

Ensto Cubo enclosures are certified in accordance with EN 62208 (SGS Fimko). Most of our polycarbonate enclosures are also UL and cUL listed (Underwriters

Laboratories, File # E 189312). Our enclosures also have GOST R certification for sale in Russia. Many of our enclosures also have a DNV GL

certificate for marine applications. Please see the certificates table below for further details.

Ensto Cubo series	S		D		O		C	W	Polybox	Modulo	M	N	H
Material	PC	ABS	PC	ABS	PC	ABS	PC	PC	PC	ABS	GRP	GRP	AL
SGS Fimko	X	X	X	X	X	X	X	X	X				
UL	X		X		X		X	X	X			X	
cUL	X		X		X		X	X	X			X	
GOST R	X	X	X	X	X	X	X	X					
DNV GL	X		X		X		X						
VDE										X			

Material:

PC = polycarbonate
 ABS = acrylonitrile butadiene styrene
 GRP = glass reinforced polyester
 AL = aluminium

Certificates:

UL = Underwriters Laboratories,
 File # E 189312 (USA)
 cUL = Underwriters Laboratories,
 File # E 189312 (Canada)

DNV GL = Germanischer Lloyd was merged with

DNV (Det Norske Veritas) to become DNV GL
 VDE = Verband der Elektrotechnik, Elektronik
 und Informationstechnik e.V. (Germany)

Ensto Cubo technical information

Enclosure series	Cubo S		Cubo D		Cubo O		Cubo C
Material	PC	ABS	PC	ABS	PC	ABS	PC
Enclosure side types	Plain sides, metric and Pg knockouts	Plain sides	Plain sides	Plain sides	Plain sides, metric knockouts	Plain sides	Flange knockouts
Minimum size (mm)	75 x 125 x 35		53 x 55 x 36		200 x 200 x 132		200 x 200 x 132
Maximum size (mm)	175 x 250 x 150		230 x 300 x 111		400 x 600 x 187		400 x 600 x 187
Degree of protection	IP66, IP67	IP66, IP67	IP66, IP67	IP66, IP67	IP66, IP67	IP66, IP67	IP66, IP67
Impact resistance	IK08 (-25 °C...+35 °C)	IK07 (+35 °C) IK06 (-25 °C)	IK08 (-25 °C...+35 °C)	IK07 (+35 °C) IK06 (-25 °C)	IK08 (-25 °C...+35 °C)	IK08 (+35 °C) IK07 (-25 °C)	IK08 (-25 °C...+35 °C)
Environmental type (UL / cUL)	4, 4X, 6, 12, 13	N/A	4, 4X, 6, 12, 13	N/A	4, 4X, 12, 13	N/A	4, 4X, 12, 13
Continuous operating temperature	-40 °C... +80 °C	-40 °C... +60 °C	-40 °C... +80 °C	-40 °C... +60 °C	-40 °C... +80 °C	-40 °C... +60 °C	-40 °C... +80 °C
Flammability	UL 746C (5 inch flame)	N/A	UL 746C (5 inch flame)	N/A	UL 746C (5 inch flame)	N/A	UL 746C (5 inch flame)
Flammability, material	UL 94 V-2 / 5VA	UL 94 HB	UL 94 V-2	UL 94 HB	UL 94 V-2 / 5VA	UL 94 HB	UL 94 V-2 / 5VA
Glow wire test	850 °C	650 °C	850 °C	650 °C	850 °C	650 °C	850 °C

Enclosure series	Cubo W	Polybox	Modulo	Cubo M	Cubo N	Cubo H
Material	PC	PC	ABS	GRP	GRP	AL
Enclosure side types	Plain sides	Plain sides	Metric knockouts	Plain sides	Plain sides	Plain sides
Minimum size (mm)	200 x 200 x 132	223 x 172 x 134	166 x 231 x 113	75 x 80 x 55	250 x 300 x 140	50 x 45 x 30
Maximum size (mm)	400 x 600 x 187	482 x 431 x 286	418 x 586 x 148	400 x 405 x 120	600 x 800 x 300	310 x 601 x 180
Degree of protection	IP66, IP67	IP66 / IP68 ¹⁾ / IP69	IP65	IP66	IP66	IP66
Impact resistance	IK08 (-25 °C...+35 °C)	IK10	IK08	7 Nm	IK10 ²⁾	7 Nm
Environmental type (UL / cUL)	4, 4X, 12, 13	4X, 6P, 12, 13	N/A	N/A	4, 4X, 12	N/A
Continuous operating temperature	-40 °C... +80 °C	-40 °C... +80 °C	-25 °C... +70 °C	-40 °C... +110 °C	-40 °C... +80 °C	-40 °C... +110 °C
Flammability	UL 746C (5 inch flame)	UL 746C (5 inch flame)	N/A	N/A	UL 746C ³⁾ (5 inch flame)	N/A
Flammability, material	UL 94 V-2 / 5VA	UL 94 V-2 / 5VA	UL 94 HB			
Glow wire test	850 °C	850 °C	650 °C	N/A	960 °C	N/A

Material:

PC = polycarbonate
 ABS = acrylonitrile butadiene styrene
 GRP = glass reinforced polyester
 AL = aluminium

N/A = No information available

- ¹⁾ IP68 immersion 2m/24h
- ²⁾ Models with polycarbonate window: IK07 (-5 °C...+80 °C)
- ³⁾ UL-listed versions



Materials comparison

Our product range comprises enclosures made from thermoplastics, polyester and aluminium. Below, we compare the various materials for their individual advantages and disadvantages.

Thermoplastics

Ensto Cubo thermoplastic enclosures are manufactured in high-quality halogen-free and recyclable polycarbonate or ABS plastics. Although plastic is much lighter than steel, it still has very high impact-resistance. In addition, any dents

or bumps are not as noticeable with plastic as they would be with steel. For the maintenance of these enclosures, cleaning with a mild detergent is recommended.

Polycarbonate (PC)

- + High impact-resistance
- + High degree of protection
- + Light weight
- + Good resistance to chemicals
- + Wide range of operating temperatures
- + Self-extinguishing material
- + Easy machining with standard tools
- + Excellent insulation properties
- + Suitable for outdoor use
- + Also available with transparent cover
- Because of the fiberglass used, possible difficulty in achieving the desired color shade
- Resistance against some solvents

ABS (Acryl-butadiene styrene)

- + Cost-effectiveness
- + Light weight
- + Chemical-resistance
- + Easy machining with standard tools
- Impact-resistance lower than that of polycarbonate
- Narrower temperature-resistance range than polycarbonate
- Low resistance to UV radiation
- Not suitable for outdoor use
- Not available with transparent cover
- No self-extinguishing property



Polyester

Glass-reinforced polyester shows superb resistance to even extreme temperatures. It has high corrosion-resistance and is very resistant to solvents. Polyester is more expensive than polycarbonate and ABS. Since enclosures made from this material are difficult to machine, we recommend that you let us customize them for you. In work on polyester enclosures, it is important that you use an anti-dust respirator filter.

Polyester (GRP, glass-reinforced polyester)

- + Excellent temperature-resistance
- + Excellent impact-resistance
- + Good corrosion-resistance
- + Good resistance against solvents
- + Suitability for oil refineries and the petrochemical and chemical industries
- More expensive than thermoplastic materials
- Machining may be challenging due to fiber content
- Non-recyclable material



Steel

Steel enclosures have a high impact resistance and protection class. However, painted steel enclosures have a high corrosion risk. Painted steel alone is not enough to protect against rust and, if rusted, the enclosure loses its mechanical properties. Additionally, a rusted enclosure is unpleasant in appearance. Steel as a material is significantly more expensive and heavier than plastic. Further, enclosures made of stainless steel grades are considerably more expensive than painted steel enclosures. Weight poses certain installation-related challenges and increases transport costs. In addition, potential dents and bumps are easily noticeable on steel.

Steel

- + High impact resistance
- Corrosion risk
- Expensive
- Heavy
- Easily damaged



Only Ensto's fire box range includes steel enclosures.

Aluminium

The relative weight of aluminium is only about a quarter the weight of steel. Aluminium is, however, more expensive than steel. It has high impact-resistance, a wide temperature-resistance range and excellent corrosion-resistance.

Aluminium

- + Lighter material than enclosure made of steel
- + High impact-resistance
- + Good resistance against solvents
- + A wide range of operating temperatures
- + Excellent corrosion-resistance
- Expensive



Degree of protection

IP Code (European standard EN 60529)

The IP Code consists of the letters IP (Ingress Protection) followed by two digits and an optional letter. The first numeral of the code classifies the degrees of protection provided against the intrusion of solid objects and dust. The

second numeral specifies the protection against water. The optional letter may be appended to classify only the level of protection against human access to hazardous components.

1st numeral: Protection against intrusion



2nd numeral: Protection against water



1st numeral		2nd numeral	
0	No protection	0	No protection
1	Protection against objects ≥ 50 mm	1	Protection against vertically falling water drops
2	Protection against objects ≥ 12.5 mm	2	Protection against rain drops falling at max. 15° angle
3	Protection against objects ≥ 2.5 mm	3	Protection against rain drops falling at max. 60° angle
4	Protection against solid objects ≥ 1 mm	4	Protection against rain drops falling from all directions
5	Protection against dust, limited intrusion acceptable in all directions	5	Protection against low pressure jet water from all directions*
6	Total protection against dust	6	Protection against jet water under pressure*
		7	Protection against water intrusion under submersion at 1 m depth, 0.5 hour
		8	Protection against water intrusion under long term submersion under pressure
		9	Protection against high pressure and high temperature water jets

*Minor intrusion acceptable

IK code (European standard EN 62262)

IK code is an international numerical classification for the degree of protection provided by enclosures for electrical equipment against external mechanical impact. The IK code for our thermoplastic enclosures ranges between IK06 and IK10.

Protection against external mechanical impact



IK code	Impact energy (joules)
01-05	<1
06	1
07	2
08	5
09	10
10	20

Ensto Cubo enclosures in more detail

Enclosure covers

The enclosure cover can be transparent, so that the status of the equipment inside is easy to monitor. With thermoplastic enclosures, the whole cover is either grey or transparent. Grey covers are available in both ABS and polycarbonate. Transparent covers are available only with polycarbonate.



Enclosure walls

The material thickness of our thermoplastic enclosures is greater than that of similar products on the market. This aids in the machining of threads. In addition, the use of, for instance, push buttons on the cover is safer, since the material is more rigid. The bases of polycarbonate enclosures with knockouts have been reinforced with fibreglass in order to add rigidity to the enclosure walls and to make it easier to knock out the cable entries. We have a modular tooling structure that enables cost-efficient mold modifications. This proves especially efficient when creating customer-specific holes and cutouts in a large series of enclosures.



Enclosure gaskets

We use seamless sealants in our thermoplastic, polyester and aluminum enclosures to ensure a high level of protection. Our thermoplastic enclosures feature a state-of-the-art, hydrophobic polyurethane sealant that ensures reliable sealing, even under extreme conditions. The temperature-resistance of the polyurethane gasket materials is -40... +80 °C.



Further information

Further information, technical data, accessory details, and technical drawings are available on our website at www.ensto.com/products/enclosures.



Customer-specific enclosures

We are experts in providing customer-specific enclosing solutions for demanding environments. Our strategic solutions offering can be divided into customized enclosing solutions based on standard products and special-design enclosing solutions based on the customer's product projects.

Our strengths in producing customer-specific enclosures:

- › Experienced design department
- › Knowledgeable and innovative personnel
- › Experience of wide range of materials
- › Large selection of high-quality components
- › Modular tooling structure for standard enclosures, enabling cost efficient mould modifications
- › Experience of injection moulded customer specific enclosures

Customer-specific enclosures for your specific needs

Customised standard enclosures



Machining



Tampo printing
Silk screen printing
Laser marking

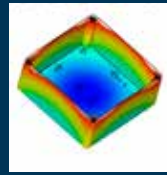


Special colours

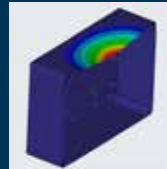


Electromechanical
assembly

Special design enclosures



Feasibility studies



3D modeling,
prototyping



Mould sourcing

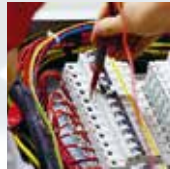


Certifications

Related services



Components sourcing



Testing



Logistics



Quality assurance



Thermoplastic enclosures

Ensto Cubo thermoplastic enclosures are manufactured in high-quality halogen-free and recyclable polycarbonate or ABS plastics. Although plastic is much lighter than steel, it has very high impact-resistance. In addition, any dents or bumps are not as noticeable in plastic as they would be with steel. Both machining and maintenance of our thermoplastic enclosures is easy, and no special tools are needed.

BENEFITS:

- › Greater material thickness
- › Fibreglass-reinforced bases
- › Cost-efficient mold modifications
- › Lightweight products
- › Durability and easy maintenance

Range comparison



Ensto Cubo S enclosures, IP66 and IP67

- › Sizes: 75 x 125 x 35 to 175 x 250 x 150 mm
- › Available with plain sides or knockouts
- › Cover and cover screws equipped with sealing holes



Ensto Cubo D enclosures, IP66 and IP67

- › Sizes: 53 x 55 x 36 to 230 x 300 x 111 mm
- › Available with plain sides
- › Contemporary design with faceted corners and cover plugs
- › Fastening pods inside the cover included



Ensto Cubo O enclosures, IP66 and IP67

- › Sizes: 200 x 200 x 132 to 400 x 600 x 187 mm
- › Available with plain sides or with metric knockouts
- › 55-millimeter-deep extension frame available for alternative depths in all sizes
- › Cover and cover screws equipped with sealing holes



Ensto Cubo C enclosures, IP66 and IP67

- › Sizes: 200 x 200 x 132 to 400 x 600 x 187 mm
- › Available with flange knockouts
- › 55-millimeter-deep extension frame available for alternative depths in all sizes
- › Covers and cover screws equipped with sealing holes
- › A products based on the Ensto Cubo O enclosure series



Ensto Cubo W wall cabinets, IP66 and IP67

- › Sizes: 200 x 200 x 132 to 400 x 600 x 187 mm
- › Available with plain sides
- › Pre-assembled hinges and quick-release latches as standard
- › A product based on the Ensto Cubo O enclosure series

UL-listed enclosures

- › Sizes: 223 x 172 x 134 – 482 x 431 x 286 mm
- › Available with plain sides



Ensto PolyBox

- › Sizes: 223 x 172 x 134 – 482 x 431 x 286 mm
- › Available with plain sides
- › Unique and innovative features



Ensto terminal junction boxes, IP65

- › Sizes 125 x 125 x 75 to 300 x 600 x 132 mm
- › Include everything needed for connecting wires, extending or branching cables as well as enclosing
- › Available with Ensto Clampo Compact terminal blocks and Ensto Clampo Pro Universal terminals
- › Include either Ensto Cubo S or C enclosures



Ensto Modulo distribution enclosures, IP65

- › Sizes: 166 x 231 x 113 to 418 x 586 x 148 mm
- › Available in 9 sizes, capacity for 4 to 54 modules
- › Factory installed DIN-rails, earth and neutral bars
- › Factory made metric knockouts from M20 to M40

Ensto Cubo S enclosures

IP66 and IP67

Sizes 75 x 125 x 35 to 175 x 250 x 150 mm



Ensto Cubo S enclosure in brief:

- › Available with plain sides or knockouts
- › Available in 39 sizes, three base depths (25, 50 and the new 75 mm HG/HT versions) and 5 different cover heights
- › Cover and cover screws equipped with sealing holes

Contents of the product package:

- › Enclosure base
- › Cover
- › Cover screws
- › Mounting screws

Further information

- › More information of Pg knockout versions from our webpages
- › Common enclosure accessories, pages 50-53
- › UL-listed enclosures, pages 29-32
- › Dimensional drawings, pages 62-95
- › Product cards, dimensional drawings and 3D models can be found at ensto.com.

Conformity	
PC enclosures:	CE ^{RoHS} FI UL ^{cUL} GL ^{CC}
Standards	
	EN 62208, UL 508A
Technical information	
Degree of protection:	IP66 and IP67
Impact resistance:	PC: IK08 (-25 °C... +35 °C)
Operating temperature:	PC: -40 °C ... +80 °C
Short term temperature range:	PC: -40 °C... +120 °C
Flammability rating:	PC: UL 746C 5 inch flame
UL File no:	E189312
UL category:	NITW, NITW7
Environmental type (UL):	4, 4X, 12, 13, 6
Environmental type (cUL):	4, 4X, 12, 6
Outdoor suitability:	PC: UL 746C (f1) rated material
Insulation:	Class II
Material	
Base:	Fibreglass reinforced polycarbonate
Cover:	Polycarbonate
Cover screws:	Fibreglass reinforced polyamide
Gasket:	PUR (polyurethane)
Enclosure side types	
PC enclosures:	Plain sides, metric or Pg knockouts
Standard color	
Base:	Grey RAL 7035
Cover:	Grey RAL 7035 or transparent



The enclosure has slots in the base for printed circuit boards.



The cover can be sealed.



Enclosure with a low (10 mm) cover and a low (25 mm) base.



This enclosure is equipped with hinges (DSH11), cover plugs and wing head parts (SLW1).

Ensto Cubo S enclosures with plain sides

Width (mm)	Height (mm)	Depth (mm)	Inner depth (mm)	Base depth (mm)	Cover depth (mm)	Polycarbonate grey cover (product code, GTIN-13)	Polycarbonate transparent cover (product code, GTIN-13)	ABS grey cover (product code, GTIN-13)	ABS transparent cover (product code, GTIN-13)
75	125	35	20,5	25	10	SPCP081304LG 6438100101299	SPCP081304LT 6438100101305	SABP081304LG 6438100101312	SABP081304LT 6438100101329
75	125	50	35,5	25	25	SPCP081305LG 6438100101336	SPCP081305LT 6438100101343	SABP081305LG 6438100101350	SABP081305LT 6438100101367
75	125	60	45,5	50	10	SPCP081306G 6438100101374	SPCP081306T 6438100101381	SABP081306G 6438100101398	SABP081306T 6438100101404
75	125	75	60,5	25	50	SPCP081308LG 6438100101459	SPCP081308LT 6438100101466	SABP081308LG 6438100101473	SABP081308LT 6438100101480
75	125	75	60,5	50	25	SPCP081308G 6418677155031	SPCP081308T 6418677155024	SABP081308G 6418677155048	SABP081308T 6418677155055
75	125	100	85,5	25	75	SPCP081310LG 6438100101497	SPCP081310LT 6438100101503	SABP081310LG 6438100101510	SABP081310LT 6438100101527
75	125	100	85,5	50	50	SPCP081310G 6418677155086	SPCP081310T 6418677155093	SABP081310G 6418677155109	SABP081310T 6418677155116
75	125	125	110,5	50	75	SPCP081313G 6418677155147	SPCP081313T 6418677155154	SABP081313G 6418677155161	SABP081313T 6418677155178
100	100	35	20,5	25	10	SPCP101004LG 6438100101534	SPCP101004LT 6438100101541	SABP101004LG 6438100101558	SABP101004LT 6438100101565
100	100	60	45,5	50	10	SPCP101006G 6438100101619	SPCP101006T 6438100101626	SABP101006G 6438100101633	SABP101006T 6438100101640
125	125	35	20,5	25	10	SPCP131304LG 6438100101671	SPCP131304LT 6438100101688	SABP131304LG 6438100101695	SABP131304LT 6438100101701
125	125	50	35,5	25	25	SPCP131305LG 6438100101718	SPCP131305LT 6438100101725	SABP131305LG 6438100101732	SABP131305LT 6438100101749
125	125	60	45,5	50	10	SPCP131306G 6438100101756	SPCP131306T 6438100101763	SABP131306G 6438100101770	SABP131306T 6438100101787
125	125	75	60,5	25	50	SPCP131308LG 6438100101817	SPCP131308LT 6438100101824	SABP131308LG 6438100101831	SABP131308LT 6438100101848
125	125	75	60,5	50	25	SPCP131308G 6418677155208	SPCP131308T 6418677155215	SABP131308G 6418677155222	SABP131308T 6418677155239
125	125	100	85,5	25	75	SPCP131310LG 6438100101855	SPCP131310LT 6438100101862	SABP131310LG 6438100101879	SABP131310LT 6438100101886
125	125	100	85,5	50	50	SPCP131310G 6418677155260	SPCP131310T 6418677155277	SABP131310G 6418677155284	SABP131310T 6418677155291
125	125	125	110,5	50	75	SPCP131313G 6418677155321	SPCP131313T 6418677155338	SABP131313G 6418677155345	SABP131313T 6418677155352
125	175	35	20,5	25	10	SPCP131804LG 6438100101893	SPCP131804LT 6438100101909	SABP131804LG 6438100101916	SABP131804LT 6438100101923
125	175	50	35,5	25	25	SPCP131805LG 6438100101930	SPCP131805LT 6438100101947	SABP131805LG 6438100101954	SABP131805LT 6438100101961
125	175	60	45,5	50	10	SPCP131806G 6438100101978	SPCP131806T 6438100101985	SABP131806G 6438100101992	SABP131806T 6438100102005
125	175	75	60,5	25	50	SPCP131808LG 6438100102050	SPCP131808LT 6438100102067	SABP131808LG 6438100102074	SABP131808LT 6438100102081
125	175	75	60,5	50	25	SPCP131808G 6418677155383	SPCP131808T 6418677155390	SABP131808G 6418677155406	SABP131808T 6418677155413
125	175	100	85,5	25	75	SPCP131810LG 6438100102098	SPCP131810LT 6438100102104	SABP131810LG 6438100102111	SABP131810LT 6438100102128
125	175	100	85,5	50	50	SPCP131810G 6418677155444	SPCP131810T 6418677155451	SABP131810G 6418677155468	SABP131810T 6418677155475
125	175	125	110,5	25	100	SPCP131813LG 6438100102135	SPCP131813LT 6438100102142	SABP131813LG 6438100102159	SABP131813LT 6438100102166
125	175	125	110,5	50	75	SPCP131813G 6418677155505	SPCP131813T 6418677155512	SABP131813G 6418677155529	SABP131813T 6418677155536
125	175	150	135,5	50	100	SPCP131815G 6418677155567	SPCP131815T 6418677155574	SABP131815G 6418677155581	SABP131815T 6418677155598
125	250	125	110,5	50	75	SPCP132513G 6438100104696	SPCP132513T 6438100104702	SABP132513G 6438100104719	SABP132513T 6438100104726
175	175	75	60,5	50	25	SPCP181808G 6418677155628	SPCP181808T 6418677155635	SABP181808G 6418677155642	SABP181808T 6418677155659
175	175	100	85,5	50	50	SPCP181810G 6418677155680	SPCP181810T 6418677155697	SABP181810G 6418677155703	SABP181810T 6418677155710
175	175	100	85,5	75	25	SPCP181810HG 6438100397395	SPCP181810HT 6438100397401	SABP181810HG 6438100397838	SABP181810HT 6438100397845
175	175	125	110,5	50	75	SPCP181813G 6418677155741	SPCP181813T 6418677155758	SABP181813G 6418677155765	SABP181813T 6418677155772
175	175	125	110,5	75	50	SPCP181813HG 6438100397418	SPCP181813HT 6438100397425	SABP181813HG 6438100397852	SABP181813HT 6438100397869
175	175	150	135,5	50	100	SPCP181815G 6418677155802	SPCP181815T 6418677155819	SABP181815G 6418677155826	SABP181815T 6418677155833
175	175	150	135,5	75	75	SPCP181815HG 6438100397432	SPCP181815HT 6438100397449	SABP181815HG 6438100397876	SABP181815HT 6438100397883
175	175	175	160,5	75	100	SPCP181818HG 6438100397456	SPCP181818HT 6438100397463	SABP181818HG 6438100397890	SABP181818HT 6438100397906
175	250	75	60,5	50	25	SPCP182508G 6418677155864	SPCP182508T 6418677155871	SABP182508G 6418677155888	SABP182508T 6418677155895
175	250	100	85,5	50	50	SPCP182510G 6418677155925	SPCP182510T 6418677155932	SABP182510G 6418677155949	SABP182510T 6418677155956
175	250	100	85,5	75	25	SPCP182510HG 6438100371586	SPCP182510HT 6438100374075	SABP182510HG 6438100371616	SABP182510HT 6438100374105
175	250	125	110,5	75	50	SPCP182513HG 6438100371579	SPCP182513HT 6438100374082	SABP182513HG 6438100371609	SABP182513HT 6438100374112
175	250	150	135,5	50	100	SPCP182515G 6418677155987	SPCP182515T 6418677155994	SABP182515G 6418677156007	SABP182515T 6418677156014
175	250	175	160,5	75	100	SPCP182518HG 6438100371562	SPCP182518HT 6438100374099	SABP182518HG 6438100371593	SABP182518HT 6438100374129



Ensto Cubo S enclosures with metric knockouts, polycarbonate

Width (mm)	Height (mm)	Depth (mm)	Inner depth (mm)	Base depth (mm)	Cover depth (mm)	Knockouts	Polycarbonate grey cover metric knockouts (product code, GTIN-13)	Polycarbonate transparent cover metric knockouts (product code, GTIN-13)	
75	125	60	45,5	50	10	2 x M16/25 + 6 x M12/20	SPCM081306G 6438100101411	SPCM081306T 6438100101428	
75	125	75	60,5	50	25	2 x M16/25 + 6 x M12/20	SPCM081308G 6418677166358	SPCM081308T 6418677166525	
75	125	100	85,5	50	50	2 x M16/25 + 6 x M12/20	SPCM081310G 6418677166365	SPCM081310T 6418677166532	
75	125	125	110,5	50	75	2 x M16/25 + 6 x M12/20	SPCM081313G 6418677166372	SPCM081313T 6418677166549	
100	100	60	45,5	50	10	2 x M16/25 + 4 x M12/20	SPCM101006G 6438100101657	SPCM101006T 6438100101664	
125	125	60	45,5	50	10	4 x M16/25 + 6 x M12/20	SPCM131306G 6438100100445	SPCM131306T 6438100100452	
125	125	75	60,5	50	25	4 x M16/25 + 6 x M12/20	SPCM131308G 6418677166389	SPCM131308T 6418677166556	
125	125	100	85,5	50	50	4 x M16/25 + 6 x M12/20	SPCM131310G 6418677166396	SPCM131310T 6418677166563	
125	125	125	110,5	50	75	4 x M16/25 + 6 x M12/20	SPCM131313G 6418677166402	SPCM131313T 6418677166570	
125	175	60	45,5	50	10	4 x M16/25 + 8 x M12/20	SPCM131806G 6438100102012	SPCM131806T 6438100102029	
125	175	75	60,5	50	25	4 x M16/25 + 8 x M12/20	SPCM131808G 6418677166419	SPCM131808T 6418677166587	
125	175	100	85,5	50	50	4 x M16/25 + 8 x M12/20	SPCM131810G 6418677166426	SPCM131810T 6418677166594	
125	175	125	110,5	50	75	4 x M16/25 + 8 x M12/20	SPCM131813G 6418677166433	SPCM131813T 6418677166600	
125	175	150	135,5	50	100	4 x M16/25 + 8 x M12/20	SPCM131815G 6418677166440	SPCM131815T 6418677166617	
125	250	125	110,5	50	75	4 x M20/25	SPCM132513G 6438100104733	SPCM132513T 6438100104740	
175	175	75	60,5	50	25	4 x M12/20 + 4 x M16/25 + 10 x M12/20	SPCM181808G 6418677166457	SPCM181808T 6418677166624	
175	175	100	85,5	50	50	4 x M12/20 + 4 x M16/25 + 10 x M12/20	SPCM181810G 6418677166464	SPCM181810T 6418677166631	
175	175	100	85,5	75	25	2 x M12/M20 + 18 x M20 + 4 x M25 + 2 x M25/M32 + 2 x M32/M40	SPCM181810HG 6438100397920	SPCM181810HT 6438100397937	NEW
175	175	125	110,5	50	75	4 x M12/20 + 4 x M16/25 + 10 x M12/20	SPCM181813G 6418677166471	SPCM181813T 6418677166648	
175	175	125	110,5	75	50	2 x M12/M20 + 18 x M20 + 4 x M25 + 2 x M25/M32 + 2 x M32/M40	SPCM181813HG 6438100397944	SPCM181813HT 6438100397951	NEW
175	175	150	135,5	50	100	4 x M12/20 + 4 x M16/25 + 10 x M12/20	SPCM181815G 6418677166488	SPCM181815T 6418677166655	
175	175	150	135,5	75	75	2 x M12/M20 + 18 x M20 + 4 x M25 + 2 x M25/M32 + 2 x M32/M40	SPCM181815HG 6438100397968	SPCM181815HT 6438100397975	NEW
175	175	175	160,5	75	100	2 x M12/M20 + 18 x M20 + 4 x M25 + 2 x M25/M32 + 2 x M32/M40	SPCM181818HG 6438100397982	SPCM181818HT 6438100397999	
175	250	75	60,5	50	25	4 x M12/20 + 4 x M16/25 + 12 x M12/20	SPCM182508G 6418677166495	SPCM182508T 6418677166662	
175	250	100	85,5	50	50	4 x M12/20 + 4 x M16/25 + 12 x M12/20	SPCM182510G 6418677166501	SPCM182510T 6418677166679	
175	250	100	85,5	75	25	2 x M12/M20 + 18 x M20 + 4 x M25 + 4 x M20/M32 + 4 x M32/M40	SPCM182510HG 6438100375911	SPCM182510HT 6438100375942	NEW
175	250	125	110,5	75	50	2 x M12/M20 + 18 x M20 + 4 x M25 + 4 x M20/M32 + 4 x M32/M40	SPCM182513HG 6438100375928	SPCM182513HT 6438100375959	
175	250	150	135,5	50	100	4 x M12/20 + 4 x M16/25 + 12 x M12/20	SPCM182515G 6418677166518	SPCM182515T 6418677166686	
175	250	175	160,5	75	100	2 x M12/M20 + 18 x M20 + 4 x M25 + 4 x M20/M32 + 4 x M32/M40	SPCM182518HG 6438100375935	SPCM182518HT 6438100375966	NEW



SPCP131304LG



SPCP131813G



SPCP131308T



SPCP182515T



SPCM081313T



SPCM101006G



SPCM181810G



SPCM182510HT

Mounting plates and DIN rails

Product code	Description	Dimensions (mm)	Package size (pcs)	GTIN-13
Mounting plates, galvanized steel				
SMP0813	For 75 x 125 mm enclosures	48 x 98 x 1.5	10	6418677156038
SMP1010	For 100 x 100 mm enclosures	78 x 78 x 1.5	10	6438100104849
SMP1313	For 125 x 125 mm enclosures	98 x 98 x 1.5	10	6418677156045
SMP1318	For 125 x 175 mm enclosures	98 x 148 x 1.5	10	6418677156052
SMP1325	For 125 x 250 mm enclosures	98 x 223 x 1.5	10	6438100104535
SMP1818	For 175 x 175 mm enclosures	148 x 148 x 1.5	10	6418677156069
SMP1825	For 175 x 250 mm enclosures	148 x 223 x 1.5	10	6418677156076
DIN rails, DIN 46277/3, galvanized steel				
DR35040.4	For 75 mm sides	35 x 50	10	6418677156090
DR35070.4	For 100 mm sides	35 x 80	10	6438100104450
DR35090.4	For 125 mm sides	35 x 100	10	6418677156106
DR35140.4	For 175 mm sides	35 x 150	10	6418677156113
DR35215.4	For 250 mm sides	35 x 225	10	6418677156120



SMP0813

Other accessories

Product code	Description	Dimensions (mm)	Package size (pcs)	GTIN-13
DSHI1	Hinge, pair, polycarbonate	28 x 28	1	6418677156144
SFL1	Fastening lug, set of 4 pcs, polycarbonate	15 x 30	1	6418677156151
SBI1	Insert for pods, brass	M2	50	6418677156168
SBI1A1.04	Insert, set of 4 pcs	M2	1	6418677156830
SBS40	Spacer, 40 mm, for panels	7 x 48	12	6438100086022
SMS1	Mounting screw for plates and rails, steel	4 x 8	100	6418677156175
SLS35	Cover screw, medium	11 x 35	100	6418677156182
SLS60	Cover screw, long, for 50 mm covers	11 x 60	50	6418677156199
SLSA23.04	Screw set, Includes 4 short cover screws for 10 mm cover and 4 mounting screws SMS1	11 x 23	1	6438100100407
SLSA35.04	Screw set, Includes 4 medium cover screws SLS35 and 4 mounting screws SMS1	11 x 35	1	6418677154980
SLSA60.04	Screw set, Includes 4 long cover screws for 50 mm cover SLS60 and 4 mounting screws SMS1	11 x 60	1	6418677154997
SLW1	Cover screw's wing head part, only for 25 and 50 mm covers	11 x 17	10	6418677154867



Hinge pair, DSHI1.



Fastening lug set, SFL1.



Insert for pods, brass, SBI1.



Steel pillar for panels, SBS40.



Mounting screw for plates and rails, steel, SMS1.



Cover screw, medium, SLS35.



Cover screw, long, SLS60.



Screw set, incl. 4 short cover screws and 4 mounting screws, SLSA23.04.



Cover screw's wing head part, SLW1.

Ensto Cubo D enclosures IP66 and 67

Sizes 53 x 55 x 36 to 230 x 300 x 111 mm



Ensto Cubo D enclosure in brief:

- Available with plain sides
- Contemporary design with faceted corners and cover plugs
- Includes fastening pods inside the cover

Contents of the product package:

- Enclosure base
- Cover
- Cover screws
- Mounting screws
- Cover plugs for cover screws

Further information

- Common enclosure accessories, pages 50-53
- UL-listed enclosures, pages 29-32
- Dimensional drawings, pages 62-95
- Product cards, dimensional drawings and 3D models can be found at ensto.com.

Conformity	
PC enclosures:	CE <small>RoHS</small> FI UL <small>c</small> UL GL <small>UL</small>
Standards	
	EN 62208, UL 508A
Technical information	
Degree of protection:	IP66 and IP67
Impact resistance:	PC: IK08 (-25 °C... +35 °C)
Operating temperature:	PC: -40 °C ... +80 °C
Short term temperature range:	PC: -40 °C... +120 °C
Flammability rating:	PC: UL 746C 5 inch flame
UL File no:	E189312
UL category:	NITW, NITW7
Environmental type (UL):	4, 4X, 12, 13, 6
Outdoor suitability:	PC: UL 746C (f1) rated material
Insulation:	Class II
Material	
Base/cover:	Polycarbonate
Cover screws:	Stainless steel
Gasket:	PUR (polyurethane)
Enclosure side types	
PC enclosures:	Plain sides
Standard color	
Base:	Grey RAL 7035
Cover:	Grey RAL 7035 or transparent



Ensto Cubo D enclosures have a modern design with faceted corners and cover plugs.



Ensto Cubo D enclosures include fastening pods inside the cover.



This enclosure is equipped with hinges (DSH11) and fastening lugs (DFL1).

Ensto Cubo D enclosures with plain sides

Width (mm)	Height (mm)	Depth (mm)	Base depth (mm)	Inner depth (mm)	Polycarbonate grey cover (Product code, GTIN-13)	Polycarbonate transparent cover (Product code, GTIN-13)	ABS grey cover (Product code, GTIN-13)	ABS transparent cover (Product code, GTIN-13)
53	55	36	26	27,5	DPCP050504G 6418677150005	DPCP050504T 6418677150012	DABP050504G 6418677150029	DABP050504T 6418677150036
53	63	36	26	25,0	DPCP050704G 6418677150043	DPCP050704T 6418677150050	DABP050704G 6418677150067	DABP050704T 6418677150074
80	82	56	41	42,0	DPCP080806G 6418677150081	DPCP080806T 6418677150098	DABP080806G 6418677150104	DABP080806T 6418677150111
80	82	86	71	72,0	DPCP080809G 6418677150128	DPCP080809T 6418677150135	DABP080809G 6418677150142	DABP080809T 6418677150159
80	120	56	41	42,0	DPCP081206G 6418677150166	DPCP081206T 6418677150173	DABP081206G 6418677150180	DABP081206T 6418677150197
80	120	86	71	72,0	DPCP081209G 6418677150203	DPCP081209T 6418677150210	DABP081209G 6418677150227	DABP081209T 6418677150234
80	160	56	41	42,0	DPCP081606G 6418677150241	DPCP081606T 6418677150258	DABP081606G 6418677150265	DABP081606T 6418677150272
80	160	86	71	72,0	DPCP081609G 6418677150289	DPCP081609T 6418677150296	DABP081609G 6418677150302	DABP081609T 6418677150319
120	122	56	41	42,0	DPCP121206G 6418677150326	DPCP121206T 6418677150333	DABP121206G 6418677150340	DABP121206T 6418677150357
120	122	86	71	72,0	DPCP121209G 6418677150364	DPCP121209T 6418677150371	DABP121209G 6418677150388	DABP121209T 6418677150395
120	160	91	61	77,5	DPCP121609G 6418677150401	DPCP121609T 6418677150418	DABP121609G 6418677150425	DABP121609T 6418677150432
120	200	86	71	72,0	DPCP122009G 6418677150487	DPCP122009T 6418677150494	DABP122009G 6418677150500	DABP122009T 6418677150517
150	200	76	61	62,0	DPCP152008G 6418677150562	DPCP152008T 6418677150579	DABP152008G 6418677150586	DABP152008T 6418677150593
160	240	91	76	77,5	DPCP162409G 6418677150609	DPCP162409T 6418677150616	DABP162409G 6418677150623	DABP162409T 6418677150630
160	240	121	76	107,5	DPCP162412G 6418677150647	DPCP162412T 6418677150654	DABP162412G 6418677150661	DABP162412T 6418677150678
230	300	86	56	72,5	DPCP233009G 6418677150722	DPCP233009T 6418677150739	DABP233009G 6418677150746	DABP233009T 6418677150753
230	300	111	56	97,5	DPCP233011G 6418677150760	DPCP233011T 6418677150777	DABP233011G 6418677150784	DABP233011T 6418677150791



DPCP081206G



DPCP233011T

Mounting plates and DIN rails

Product code	Description	Dimensions (mm)	Package size (pcs)	GTIN-13
Mounting plates, galvanized steel				
DMP0808	For 80 x 82 mm enclosures	55 x 65 x 1,5	10	6418677150821
DMP0812	For 80 x 120 mm enclosures	65 x 93 x 1,5	10	6418677150838
DMP0816	For 80 x 160 mm enclosures	65 x 133 x 1,5	10	6418677150845
DMP1212	For 120 x 122 mm enclosures	95 x 105 x 1,5	10	6418677150852
DMP1216	For 120 x 160 mm enclosures	105 x 132 x 1,5	10	6418677150869
DMP1220	For 120 x 200 mm enclosures	105 x 172 x 1,5	10	6418677150876
DMP1520	For 150 x 200 mm enclosures	133 x 172 x 1,5	10	6418677150890
DMP1624	For 160 x 240 mm enclosures	145 x 213 x 1,5	10	6418677150906
DMP2330	For 230 x 300 mm enclosures	210 x 285 x 1,5	10	6418677150920
DIN rails 15 mm, DIN 46277/3, galvanized steel				
DR15016.4	For 53 x 55 mm enclosures	15 x 26	10	6418677150937
DR15038.4	For 53 x 63 mm enclosures	15 x 48	10	6418677150944
DR15058.4	For 80 x 82 mm enclosures	15 x 68	10	6418677150951
DR15096.4	For 80 x 120 mm and 120 x 122 mm enclosures	15 x 106	10	6418677150975
DR15136.4	For 80 x 160 mm and 120 x 160 mm enclosures	15 x 146	10	6418677150999
DIN rails 35 mm, DIN 46277/3, galvanized steel				
DR35058.4	For 80 x 82 mm enclosures	35 x 68	10	6418677150968
DR35096.4	For 80 x 120 mm and 120 x 122 mm enclosures	35 x 106	10	6418677150982
DR35136.4	For 80 x 160 mm and 120 x 160 mm enclosures	35 x 146	10	6418677151002
DR35160.4	For 150 x 200 mm enclosures	35 x 170	10	6418677151071
DR35176.4	For 120 x 200 mm enclosures	35 x 186	10	6418677151057
DR35215.4	For 160 x 240 mm enclosures	35 x 225	10	6418677156120
DR35275.4	For 230 x 300 mm enclosures	35 x 285	10	6418677151101



DMP0808



Hinge pair, DSH1.

Other accessories

Product code	Description	Dimensions (mm)	Package size (pcs)	GTIN-13
DSH1	Hinge pair	28 x 28	1	6418677156144
DFL1	Fastening lug, set of 4	33 x 21 x 9,5	1	6418677151125
DCP1	Cover plug		50	6418677151149
DLS1	Cover screw, short	3 x 18/10	100	6418677151163
DLSA1.02	Screw set, 2 short cover screws DLS1 and 2 mounting screws DMS1 and cover plugs DCP1	3 x 18/10	1	6438100070113
DLSA1.04	Screw set, 4 short cover screws DLS1 and 4 mounting screws DMS1 and cover plugs DCP1	3 x 18/10	1	6418677151293
DLSA1.06	Screw set, 6 short cover screws DLS1 and 4 mounting screws DMS1 and cover plugs DCP1	3 x 50/10	1	6418677151309
DLS2	Cover screw, long, for 162412 and 233011	3 x 50/10	1	6418677151279
DLSA2.06	Screw set, 6 long cover screws DLS2 and 4 mounting screws DMS1	3 x 50/10	1	6438100087692
DLS3	Cover screw, TORX TX20	3 x 18/10	48	6418677151286
DMS1	Mounting screw	3 x 7	100	6418677151156



Fastening lug set, DFL1.



Ensto Cubo O, C and W enclosures, IP66 and 67

Sizes 200 x 200 x 132 to 400 x 600 x 187 mm



Ensto Cubo O, C and W enclosure in brief:

- › Ensto Cubo O has plain sides or with metric knockouts
- › Ensto Cubo C has flange knockouts
- › Ensto Cubo W has pre-assembled hinges and quick release latches as standard, available with plain sides
- › Available in 8 base sizes, one base depth and one cover height
- › Ensto Cubo O and C have 55-millimeter-deep extension frame available for alternative depths in all sizes. Several extension frames can be used on top of one another in one enclosure.
- › Cover and cover screws equipped with sealing holes
- › Cover can also be mounted onto the back of the base
- › Wide range of accessories available.

Contents of the product package:

132-millimeter-deep standard enclosure includes:

- › Enclosure base
- › Cover
- › Cover screws or latches and hinges
- › Mounting screws

187-millimeter-deep standard enclosure includes:

- › Enclosure base
- › Cover
- › Extension frame
- › Cover screws or latches and hinges
- › Mounting screws
- › Screws for the extension frame

Further information

- › Common enclosure accessories, pages 50-53
- › UL-listed enclosures, pages 29-32
- › Dimensional drawings, pages 62-95
- › Product cards, dimensional drawings and 3D models can be found at ensto.com.

Conformity	
PC enclosures:	CE
Standards	
EN 62208, UL 508A	
Technical information	
Degree of protection:	IP66 and IP67
Impact resistance:	PC: IK08 (-25 °C... +35 °C)
Operating temperature:	PC: -40 °C ... +80 °C
Short term temperature range:	PC: -40 °C... +120 °C
Flammability rating:	PC: UL 746C 5 inch flame
UL File no:	E189312
UL category:	NITW, NITW7
Environmental type (UL):	4, 4X, 12, 13
Outdoor suitability:	PC: UL 746C (f1) rated material
Insulation:	Class II
Material	
Base:	Fibreglass reinforced polycarbonate
Cover:	Polycarbonate
Cover screws:	Fibreglass reinforced polyamide
Gasket:	PUR (polyurethane)
Enclosure side types	
PC enclosures:	Plain sides, metric knockouts, flange knockouts
Standard color	
Base:	Grey RAL 7035
Cover:	Grey RAL 7035 or transparent



Adjustable elevators are available for the base corner slots allowing the mounting of plates and panels at any height.



It is possible to mount the cover onto the back of the base.

Ensto Cubo O enclosures with plain sides

Width (mm)	Height (mm)	Depth (mm)	Base depth (mm)	Inner depth (mm)	Polycarbonate grey cover (product code, GTIN-13)	Polycarbonate transparent cover (product code, GTIN-13)	ABS grey cover (Product code, GTIN-13)	ABS transparent cover (Product code, GTIN-13)
200	200	132	102	115,0	OPCP202013G 6418677184413	OPCP202013T 6418677184345	OABP202013G 6418677184550	OABP202013T 6418677184482
200	200	187	102 + 55*	170,0	OPCP202018G 6418677184628	OPCP202018T 6418677184697	OABP202018G 6418677184765	OABP202018T 6418677184833
200	300	132	102	115,0	OPCP203013G 6418677184420	OPCP203013T 6418677184352	OABP203013G 6418677184567	OABP203013T 6418677184499
200	300	187	102 + 55*	170,0	OPCP203018G 6418677184635	OPCP203018T 6418677184703	OABP203018G 6418677184772	OABP203018T 6418677184840
200	400	132	102	115,0	OPCP204013G 6418677184437	OPCP204013T 6418677184369	OABP204013G 6418677184574	OABP204013T 6418677184505
200	400	187	102 + 55*	170,0	OPCP204018G 6418677184642	OPCP204018T 6418677184710	OABP204018G 6418677184789	OABP204018T 6418677184857
300	300	132	102	115,0	OPCP303013G 6418677184444	OPCP303013T 6418677184376	OABP303013G 6418677184581	OABP303013T 6418677184512
300	300	187	102 + 55*	170,0	OPCP303018G 6418677184659	OPCP303018T 6418677184727	OABP303018G 6418677184796	OABP303018T 6418677184864
300	400	132	102	115,0	OPCP304013G 6418677184451	OPCP304013T 6418677184383	OABP304013G 6418677184598	OABP304013T 6418677184529
300	400	187	102 + 55*	170,0	OPCP304018G 6418677184666	OPCP304018T 6418677184734	OABP304018G 6418677184802	OABP304018T 6418677184871
300	600	132	102	115,0	OPCP306013G 6418677184468	OPCP306013T 6418677184390	OABP306013G 6418677184604	OABP306013T 6418677184536
300	600	187	102 + 55*	170,0	OPCP306018G 6418677184673	OPCP306018T 6418677184741	OABP306018G 6418677184819	OABP306018T 6418677184888
400	400	132	102	115,0	OPCP404013G 6438100112813	OPCP404013T 6438100112790	OABP404013G 6438100112851	OABP404013T 6438100112837
400	400	187	102 + 55*	170,0	OPCP404018G 6438100112820	OPCP404018T 6438100112806	OABP404018G 6438100112868	OABP404018T 6438100112844
400	600	132	102	115,0	OPCP406013G 6418677184475	OPCP406013T 6418677184406	OABP406013G 6418677184611	OABP406013T 6418677184543
400	600	187	102 + 55*	170,0	OPCP406018G 6418677184680	OPCP406018T 6418677184758	OABP406018G 6418677184826	OABP406018T 6418677184895

* includes the extension frame



OPCP202013G



OPCP304013T

Ensto Cubo O enclosures with metric knock-outs

Width (mm)	Height (mm)	Depth (mm)	Base depth (mm)	Inner depth (mm)	Knockouts	Polycarbonate grey cover (product code, GTIN-13)	Polycarbonate transparent cover (product code, GTIN-13)
300	300	132	102	115,0	12 x M20 + 1 x M16/25 + 8 x M20 + 4 x M25/40	OPCM303013G ⁽¹⁾ 6418677157899	OPCM303013T ⁽¹⁾ 6418677157929
300	300	187	102 + 55*	170,0	12 x M20 + 1 x M16/25 + 8 x M20 + 4 x M25/40	OPCM303018G ⁽²⁾ 6418677157950	OPCM303018T ⁽²⁾ 6418677157981
300	400	132	102	115,0	8 x M12/20 + 5 x M16/25 + 12 x M12/20 + 1 x M32/40	OPCM304013G ⁽³⁾ 6418677157905	OPCM304013T ⁽³⁾ 6418677157936
300	400	187	102 + 55*	170,0	8 x M12/20 + 5 x M16/25 + 12 x M12/20 + 1 x M32/40	OPCM304018G ⁽⁴⁾ 6418677157967	OPCM304018T ⁽⁴⁾ 6418677157998
300	600	132	102	115,0	8 x M12/20 + 5 x M16/25 + 12 x M12/20 + 1 x M32/40	OPCM306013G ⁽³⁾ 6418677157912	OPCM306013T ⁽³⁾ 6418677157943
300	600	187	102 + 55*	170,0	8 x M12/20 + 5 x M16/25 + 12 x M12/20 + 1 x M32/40	OPCM306018G ⁽⁴⁾ 6418677157974	OPCM306018T ⁽⁴⁾ 6418677158001

* includes the extension frame



OPCM304018G



OPCM306018T

Ensto Cubo C enclosures with flange knockouts, polycarbonate

Width (mm)	Height (mm)	Depth (mm)	Base depth (mm)	Inner depth (mm)	Polycarbonate grey cover (product code, GTIN-13)	Polycarbonate transparent cover (product code, GTIN-13)
200	200	132	102	115.0	CPCF202013G ⁽¹⁾ 6418677172120	CPCF202013T ⁽¹⁾ 6418677172199
200	200	187	102 + 55*	170.0	CPCF202018G ⁽¹⁾ 6418677182167	CPCF202018T ⁽¹⁾ 6418677182235
200	300	132	102	115.0	CPCF203013G ⁽²⁾ 6418677172137	CPCF203013T ⁽²⁾ 6418677172205
200	300	187	102 + 55*	170.0	CPCF203018G ⁽²⁾ 6418677182174	CPCF203018T ⁽²⁾ 6418677182242
200	400	132	102	115.0	CPCF204013G ⁽²⁾ 6418677172144	CPCF204013T ⁽²⁾ 6418677172212
200	400	187	102 + 55*	170.0	CPCF204018G ⁽²⁾ 6418677182181	CPCF204018T ⁽²⁾ 6418677182259
300	300	132	102	115.0	CPCF303013G ⁽³⁾ 6418677172151	CPCF303013T ⁽³⁾ 6418677172229
300	300	187	102 + 55*	170.0	CPCF303018G ⁽³⁾ 6418677182198	CPCF303018T ⁽³⁾ 6418677182266
300	400	132	102	115.0	CPCF304013G ⁽³⁾ 6418677172168	CPCF304013T ⁽³⁾ 6418677172236
300	400	187	102 + 55*	170.0	CPCF304018G ⁽³⁾ 6418677182204	CPCF304018T ⁽³⁾ 6418677182273
300	600	132	102	115.0	CPCF306013G ⁽⁴⁾ 6418677172175	CPCF306013T ⁽⁴⁾ 6418677172243
300	600	187	102 + 55*	170.0	CPCF306018G ⁽⁴⁾ 6418677182211	CPCF306018T ⁽⁴⁾ 6418677182280
400	400	132	102	115.0	CPCF404013G ⁽³⁾ 6438100112899	CPCF404013T ⁽³⁾ 6438100112875
400	400	187	102 + 55*	170.0	CPCF404018G ⁽³⁾ 6438100112905	CPCF404018T ⁽³⁾ 6438100112882
400	600	132	102	115.0	CPCF406013G ⁽⁴⁾ 6418677172182	CPCF406013T ⁽⁴⁾ 6418677172250
400	600	187	102 + 55*	170.0	CPCF406018G ⁽⁴⁾ 6418677182228	CPCF406018T ⁽⁴⁾ 6418677182297

^{*)} Includes the extension frame
¹⁾ 4 x F1 knockouts
²⁾ 2 x F1 knockouts + 2 x F2 knockouts

³⁾ 4 x F2 knockouts
⁴⁾ 6 x F2 knockouts



CPCF202013G



CPCF203018T

Ensto Cubo W wall cabinets with hinges and latches, plain sides, polycarbonate

Width (mm)	Height (mm)	Depth (mm)	Base depth (mm)	Inner depth (mm)	Polycarbonate grey cover (product code, GTIN-13)	Polycarbonate transparent cover (product code, GTIN-13)
200	200	132	102	115.0	WPCP202013G 6418677174308	WPCP202013T 6418677174384
200	200	187	102 + 55*	170.0	WPCP202018G 6418677174469	WPCP202018T 6418677174544
200	300	132	102	115.0	WPCP203013G 6418677174315	WPCP203013T 6418677174391
200	300	187	102 + 55*	170.0	WPCP203018G 6418677174476	WPCP203018T 6418677174551
200	400	132	102	115.0	WPCP204013G 6418677174322	WPCP204013T 6418677174407
200	400	187	102 + 55*	170.0	WPCP204018G 6418677174483	WPCP204018T 6418677174568
300	300	132	102	115.0	WPCP303013G 6418677174339	WPCP303013T 6418677174414
300	300	187	102 + 55*	170.0	WPCP303018G 6418677174490	WPCP303018T 6418677174575
300	400	132	102 + 55*	115.0	WPCP304013G 6418677174346	WPCP304013T 6418677174421
300	400	187	102 + 55*	170.0	WPCP304018G 6418677174506	WPCP304018T 6418677174582
300	600	132	102 + 55	115.0	WPCP306013G 6418677174353	WPCP306013T 6418677174438
300	600	187	102 + 55*	170.0	WPCP306018G 6418677174513	WPCP306018T 6418677174599
400	400	132	102 + 55	115.0	WPCP404013G 6438100113285	WPCP404013T 6438100113292
400	400	187	102 + 55*	170.0	WPCP404018G 6438100113308	WPCP404018T 6438100113315
400	600	132	102 + 55	115.0	WPCP406013G 6418677174377	WPCP406013T 6418677174452
400	600	187	102 + 55*	170.0	WPCP406018G 6418677174537	WPCP406018T 6418677174612

^{*)} Includes the extension frame



WPCP202013G



WPCP406018T

Accessories for Ensto Cubo O, C enclosures

Bases

Includes mounting screws

Width (mm)	Height (mm)	Depth (mm)	Polycarbonate plain sides (product code, GTIN-13)	Polycarbonate Metric knockouts (product code, GTIN-13)	Polycarbonate Flange knockouts (product code, GTIN-13)
200	200	102	OPCP202010B 6418677164248		CPCF202010B ⁽⁴⁾ 6418677171697
200	300	102	OPCP203010B 6418677164255		CPCF203010B ⁽⁵⁾ 6418677171703
200	400	102	OPCP204010B 6418677164262		CPCF204010B ⁽⁵⁾ 6418677171710
300	300	102	OPCP303010B 6418677164279	OPCM303010B ⁽¹⁾ 6418677182600	CPCF303010B ⁽⁶⁾ 6418677171727
300	400	102	OPCP304010B 6418677164286	OPCM304010B ⁽²⁾ 6418677182617	CPCF304010B ⁽⁶⁾ 6418677171734
300	600	102	OPCP306010B 6418677164293	OPCM306010B ⁽³⁾ 6418677182624	CPCF306010B ⁽⁷⁾ 6418677171741
400	400	102	OPCP404010B 6438100112943		CPCF404010B ⁽⁶⁾ 6438100112929
400	600	102	OPCP406010B 6418677164309		CPCF406010B ⁽⁷⁾ 6418677171758

⁽¹⁾ 12 x M20 + 1 x M16/25 + 8 x M20 + 4 x M25/40

⁽²⁾ 8 x M12/20 + 5 x M16/25 + 12 x M12/20 + 1 x M32/40

⁽³⁾ 8 x M12/20 + 5 x M16/25 + 12 x M12/20 + 1 x M32/40

⁽⁴⁾ 4 x F1 knockout,

⁽⁵⁾ 2 x F1 knockout + 2 x F2 knockout

⁽⁶⁾ 4 x F2 knockout,

⁽⁷⁾ 6 x F2 knockout



OPCM303010B



CPCF304010B



OPCP303006E



OPCG303003L

Extension frames, polycarbonate

Width (mm)	Height (mm)	Depth (mm)	Polycarbonate grey cover (product code, GTIN-13)
200	200	55	OPCP202006E 6418677164606
200	300	55	OPCP203006E 6418677164613
200	400	55	OPCP204006E 6418677164620
300	300	55	OPCP303006E 6418677164637
300	400	55	OPCP304006E 6418677164644
300	600	55	OPCP306006E 6418677164651
400	400	55	OPCP404006E 6438100112912
400	600	55	OPCP406006E 6418677164668



OPCT303003L



OPCG36KWH

Covers

Width (mm)	Height (mm)	Depth (mm)	Polycarbonate grey cover (product code, GTIN-13)	Polycarbonate transparent cover (product code, GTIN-13)	Grey cover with window for kWh-meter, polycarbonate (Product code, GTIN-13)
200	200	102	OPCG202003L ⁽¹⁾ 6418677164453	OPCT202003L ⁽¹⁾ 6418677164385	
200	300	102	OPCG203003L ⁽¹⁾ 6418677164460	OPCT203003L ⁽¹⁾ 6418677164392	
200	400	102	OPCG204003L ⁽¹⁾ 6418677164477	OPCT204003L ⁽¹⁾ 6418677164408	
300	300	102	OPCG303003L ⁽¹⁾ 6418677164484	OPCT303003L ⁽¹⁾ 6418677164415	
300	400	102	OPCG304003L ⁽¹⁾ 6418677164491	OPCT304003L ⁽¹⁾ 6418677164422	
300	600	102	OPCG306003L ⁽¹⁾ 6418677164507	OPCT306003L ⁽¹⁾ 6418677164439	
400	400	102	OPCG404003L ⁽¹⁾ 6438100112967	OPCT404003L ⁽¹⁾ 6438100112974	
400	600	102	OPCG406003L ⁽¹⁾ 6418677164514	OPCT406003L ⁽¹⁾ 6418677164446	OPCG36KWH ⁽²⁾ 6418677174186

⁽¹⁾ Includes gasket

⁽²⁾ Inspection window 113 x 153 mm, Includes cover screws

Accessories for Ensto Cubo O, C enclosures

Mounting plates and DIN rails

Product code	Description	Dimensions (mm)	Package size (pcs)	GTIN-13
Mounting plates, galvanized steel				
OMP2020	For 200 x 200 mm enclosures	160 x 160 x 1.5	1	6418677164675
OMP2030	For 200 x 300 mm enclosures	160 x 260 x 1.5	1	6418677164682
OMP2040	For 200 x 400 mm enclosures	160 x 360 x 1.5	1	6418677164699
OMP3030	For 300 x 300 mm enclosures	260 x 260 x 1.5	1	6418677164705
OMP3040	For 300 x 400 mm enclosures	260 x 360 x 1.5	1	6418677164712
OMP3060	For 300 x 600 mm enclosures	260 x 560 x 1.5	1	6418677164729
OMP4040	For 400 x 400 mm enclosures	360 x 360 x 1.5	1	6438100112370
OMP4060	For 400 x 600 mm enclosures	360 x 560 x 1.5	1	6418677164736
Mounting plates for kWh meter, galvanized steel				
KWHP3040	For 300 x 400 mm enclosures	260 x 360 x 1.5	1	6418677173110
KWHP3060	For 300 x 600 mm enclosures	260 x 560 x 1.5	1	6418677173097
KWHP4040	For 400 x 400 mm enclosures	360 x 360 x 1.5	1	6438100112394
KWHP4060	For 400 x 600 mm enclosures	360 x 560 x 1.5	1	6418677173127
DIN rails, DIN 46277/3, galvanized steel				
DR35150.5	For 200 mm side	35 x 160	1	6418677164743
DR35240.5	For 600 mm side/middle with front panel	35 x 250	1	6418677176647
DR35250.5	For 300 mm side	35 x 260	1	6418677164750
DR35340.5	For 600 mm side/middle with front panel	35 x 350	1	6418677176654
DR35350.5	For 400 mm side	35 x 360	1	6418677164767



OMP3040



KWHP3040

Profiles for DIN rails, galvanized steel

	Product code	Description	Dimensions (mm)	Package size (pcs)	GTIN-13
Height 14.5 mm	PRE2.14	Pair, for 200 mm side	115 x 14 x 14	1	6418677173172
	PRE3.14	Pair, for 300 mm side	215 x 14 x 14	1	6418677173134
	PRE4.14	Pair, for 400 mm side	315 x 14 x 14	1	6418677173141
	PRE75.14	Pair, for 600 mm side or center	75 x 14 x 14	1	6418677173158
Height 32.5 mm	PRE2.32	Pair, for 200 mm side	115 x 14 x 32	1	6418677173189
	PRE3.32	Pair, for 300 mm side	215 x 14 x 32	1	6418677172687
	PRE4.32	Pair, for 400 mm side	315 x 14 x 32	1	6418677172694
	PRE75.32	Pair, for 600 mm side or center	75 x 14 x 32	1	6418677173165



PRE2.14

Busbar support sets

Product code	Description	Dimensions (mm)	Package size (pcs)	GTIN-13
KGH1.10	Support set for bars 10 mm x 10, 12, 20 or 30 mm	266 x 78 x 18	1	6418677172373
KGH1.05	Support set for bars 5 mm x 10, 12, 15 or 20 mm	266 x 78 x 18	1	6418677172380



KGH1.10

Accessories for Ensto Cubo O, C enclosures

Terminals for Al/Cu busbars

Product code	Description	Dimensions (mm)	Package size (pcs)	GTIN-13
KG81	Terminal for 25-70 mm ² cable	10 mm Al/Cu	1	6418677163739
KG83	Terminal for 16-185 mm ² cable	10 mm Al/Cu	1	6418677163746
KG85	Terminal for 2 x 35 mm ² + 2 x 16 mm ² cables	10 mm Al/Cu	1	6418677163753
KG87	Terminal for 4 x 35 mm ² + 4 x 16 mm ² cables	10 mm Al/Cu	1	6418677163760
KG80	Terminal for 25-70 mm ² cable	5 mm Al/Cu	1	6418677163852
KG82	Terminal for 6-70 mm ² cable	5 mm Al/Cu	1	6418677163869
KG84	Terminal for 3 x 16 mm ² cables	5 mm Al/Cu	1	6418677163876
KG86	Terminal for 6 x 16 mm ² cables	5 mm Al/Cu	1	6418677163883



KG85

Strain reliefs

Product code	Description	Dimensions (mm)	Package size (pcs)	GTIN-13
KJ8.13	300 mm side/for 1 cable, galvanized steel	265 x 65 x 85	1	6418677172755
KJ8.23	300 mm side/for 2 cables, galvanized steel	265 x 65 x 85	1	6418677173271
KJ8.14	400 mm side/for 1 cable, galvanized steel	365 x 65 x 85	1	6418677173288
KJ8.24	400 mm side/for 2 cables, galvanized steel	365 x 65 x 85	1	6418677173295



KJ8.13

Cover screws for Ensto Cubo O, C enclosures

Product code	Description	Dimensions (mm)	Package size (pcs)	GTIN-13
OLS42	Slotted/cross head, sealable	14 x 42	1	6418677164590
OLSA42.4	Screw set, 4 slotted/cross head cover screws OLS42	14 x 42	1	6418677174704
OLSA42.6	Screw set, 6 slotted/cross head cover screws OLS42	14 x 42	1	6418677174711
OLSA42.04	Screw set, 4 slotted/cross head cover screws OLS42 and 4 mounting screws OMS1	14 x 42	1	6418677172267
OLSA42.06	Screw set, 6 slotted/cross head cover screws OLS42 and 8 mounting screws OMS1	14 x 42	1	6418677172274
OLS42N	Slotted/cross head, dark grey Noryl	14 x 42	1	6418677174728
OLS32	Slotted/cross head for 600 mm modular cover	14 x 32	1	6418677174360
PLS63	Springloaded, slotted/cross head	14 x 62	1	6418677173073
OLSH1	Hinged cover screw, slotted/cross head, blue, polyamide	14 x 96	1	6418677174247
OLWH1	Hinged cover screw, wing head, blue, polyamide	14 x 113	1	6418677174254
OLW55	Wing head	14 x 55	1	6418677171765
OLWA55.4	Screw set, 4 wing head cover screws OLW55	14 x 55	1	6418677174735
OLWA55.6	Screw set, 6 wing head cover screws OLW55	14 x 55	1	6418677174742
OLWA55.04	Screw set, 4 wing head cover screws OLW55 and 4 mounting screws OMS1	14 x 55	1	6418677172281
OLWA55.06	Screw set, 6 wing head cover screws OLW55 and 8 mounting screws OMS1	14 x 55	1	6418677174759
OLT42	DIN 3 head	14 x 42	1	6418677171772
OLTA42.4	Screw set, 4 DIN 3 head cover screws OLT42	14 x 42	1	6418677174766
OLTA42.6	Screw set, 6 DIN 3 head cover screws OLT42	14 x 42	1	6418677174773
OLTA42.04	Screw set, 4 DIN 3 head cover screws OLT42 and 4 mounting screws OMS1	14 x 42	1	6418677172298
OLTA42.06	Screw set, 6 DIN 3 head cover screws OLT42 and 8 mounting screws OMS1	14 x 42	1	6418677174780
OLTA42.041	Screw set, 4 DIN 3 head cover screws OLT42 and 4 mounting screws OMS1 + key OLT42KEY	14 x 42	1	6418677174797
OLT42KEY	Key for DIN head screw OLT42	50 x 53 x ø22	1	6418677172410



Cover screw, slotted/cross head, OLS42.



Cover screw, springloaded, slotted/cross head, PLS63.



Cover screw, wing head, OLW55.



Hinged cover screw, OLSH1.



Accessories for Ensto Cubo O, C, W enclosures

Other accessories

Product code	Description	Dimensions (mm)	Package size (pcs)	GTIN-13
OCS22.46	Customizing template, transparent	300 x 400 x 6	1	6418677184338
OES1	Extension frame screw	∅ 17 x 67	1	6418677174803
OESA1.04	Extension frame screws, set of 4 pcs	∅17 x 67	1	6438100081409
OESA1.06	Extension frame screws, set of 6 pcs	∅17 x 67	1	6438100081416
OHI1	Hinge pair, Includes mounting instruction	40 x 50 x 16.5	1	6418677164774
OHICP1	Hinge pair, Includes 2 cover plugs	40 x 50 x 16.5	1	6418677172304
OFL1	Fastening lug, set of 4 pcs	19 x 40 x 35.5	1	6418677164781
OEL1	Corner elevator, Includes M5 bolt	19 x 19 x 14	1	6418677164798
OELA1.04	Corner elevator, set of 4 OEL1	19 x 19 x 14	1	6418677181696
OPHFPA1.04	Hinge set for swing panel, set of 2	-	1	6438100200817
OTS1	Threaded bushing, for cover screw when cover mounted on the back	18/30 ∅ 16	1	6418677171789
OTSA1.04	Threaded bushing, 4 x OTS1 + 4 x OLS42	17 x 30/18	1	6418677181702
OMS1	Mounting screw, for rails and plates	5 x 10	1	6418677164804
OBI1	Brass insert, for mounting pod	M3	1	6418677172328
OBI1.04	Brass insert, set of 4 OBI1	M3	1	6418677172335
OCP1	Cover plug, polyethylene	11 x ∅ 15/17	1	6418677164811
OBS15	15 mm spacer, Includes M5 screw, steel	15 x 8	1	6418677171802
OBS15.04	15 mm spacer, set of 4 pcs	15 x 8	1	6418677172342
OBS20	20 mm spacer, Includes M5 screw, steel	20 x 8	1	6418677171819
OBS20.04	20 mm spacer, set of 4 pcs	20 x 8	1	6418677172359
OBS30	30 mm spacer, Includes M5 screw, steel	30 x 8	1	6418677171826
OBS30.04	30 mm spacer, set of 4 pcs	30 x 8	1	6418677172366
WQL1.1	Latch, pair, Includes hooks and counter parts	-	1	6418677174902



Hinge pair, OHI1.



Fastening lug set, OFL1.



Corner elevator, OEL1.



Latch, pair, WQL1.1.

N and PE rails

Product code	Description	Dimensions (mm)	Package size (pcs)	GTIN-13
KN15.315	For 300 mm side, N + PE, Cu 2 x (2 x 16 / 13 x 6 mm ²)	250	1	6418677153020
KN16.330	For 300 mm side, N, Cu 4 x 16 / 26 x 6 mm ²	250	1	6418677153037
KN17.332	For 300 mm side, PE, Cu 4 x 16 / 28 x 6 mm ²	250	1	6418677153044
KN15.423	For 400 mm side, N + PE, Cu 2 x (2 x 16 / 21 x 6 mm ²)	350	1	6418677153051
KN16.436	For 400 mm side, N, Cu 4 x 16 / 32 x 6 mm ²	350	1	6418677153068
KN17.436	For 400 mm side, PE, Cu 4 x 16 / 32 x 6 mm ²	350	1	6418677153075

Flanges and accessories for Ensto Cubo C enclosures, page 51



Inlet flange for 1 cable, F2CE.1.



Knockout flange, F2 size, F2252



Flange bolt set, F2 size, polyamide, F2PA30.

UL-listed enclosures



UL-listed enclosures in brief:

- UL-listed versions of Ensto Cubo S, D, O, C and W enclosures

Further information

- Common enclosure accessories, pages 50-53
- Dimensional drawings, pages 62-95
- Product cards, dimensional drawings and 3D models can be found at ensto.com.

Conformity	
PC enclosures:	
Standards	
EN 62208, UL 508A	
Technical information	
Degree of protection:	IP66 and IP67
Impact resistance:	PC: IK08 (-25 °C... +35 °C)
Operating temperature:	PC: -40 °C ... +80 °C
Short term temperature range:	PC: -40 °C... +120 °C
Flammability rating:	PC: UL 746C 5 inch flame
UL File no:	E189312
UL category:	NITW, NITW7
Environmental type (UL):	4, 4X, 12, 13 (Cubo S and D also 6)
Outdoor suitability:	PC: UL 746C (f1) rated material
Insulation:	Class II
Material	
Base:	Fibreglass reinforced polycarbonate
Cover:	Polycarbonate
Cover screws:	Fibreglass reinforced polyamide
Gasket:	PUR (polyurethane)
Enclosure side types	
PC enclosures:	Plain sides, metric knockouts
Standard color	
Base:	Grey RAL 7035
Cover:	Grey RAL 7035 or transparent



The cover of Ensto Cubo S enclosure can be sealed.



Ensto Cubo S Enclosure with a low (10 mm) cover and a low (25 mm) base.



Ensto Cubo D enclosures have a modern design with faceted corners and cover plugs.



Ensto Cubo D enclosures include fastening pods inside the cover.



In Ensto Cubo O, C and W enclosures adjustable elevators are available for the base corner slots allowing the mounting of plates and panels at any height.



It is possible to mount the cover onto the back of the base of Ensto Cubo O,C and W enclosures.

UL-listed Ensto Cubo S -enclosures

Width (mm)	Height (mm)	Depth (mm)	Base depth (mm)	Base depth (mm)	Cover depth (mm)	UL-listed polycarbonate grey cover plain sides (product code, GTIN-13)	UL-listed polycarbonate transparent cover plain sides (product code, GTIN-13)	UL-listed polycarbonate grey cover metric knockouts (product code, GTIN-13)	UL-listed polycarbonate transparent cover metric knockouts (product code, GTIN-13)
75	125	35	20,5	25	10	SPCP081304LG.U 6438100115814	SPCP081304LT.U 6438100116170		
75	125	50	35,5	25	25	SPCP081305LG.U 6438100115821	SPCP081305LT.U 6438100116187		
75	125	60	45,5	50	10	SPCP081306G.U 6438100115838	SPCP081306T.U 6438100116194	SPCM081306G.U ⁽¹⁾ 6438100115371	SPCM081306T.U ⁽¹⁾ 6438100115593
75	125	75	60,5	25	50	SPCP081308LG.U 6438100115852	SPCP081308LT.U 6438100116200		
75	125	75	60,5	50	25	SPCP081308G.U 6438100115845	SPCP081308T.U 6438100116217	SPCM081308G.U ⁽¹⁾ 6438100115388	SPCM081308T.U ⁽¹⁾ 6438100115609
75	125	100	85,5	25	75	SPCP081310LG.U 6438100115876	SPCP081310LT.U 6438100116224		
75	125	100	85,5	50	50	SPCP081310G.U 6438100115869	SPCP081310T.U 6438100116231	SPCM081310G.U ⁽¹⁾ 6438100115395	SPCM081310T.U ⁽¹⁾ 6438100115616
75	125	125	110,5	50	75	SPCP081313G.U 6438100115883	SPCP081313T.U 6438100116248	SPCM081313G.U ⁽¹⁾ 6438100115401	SPCM081313T.U ⁽¹⁾ 6438100115623
100	100	35	20,5	25	10	SPCP101004LG.U 6438100115890	SPCP101004LT.U 6438100116255		
100	100	60	45,5	50	10	SPCP101006G.U 6438100115906	SPCP101006T.U 6438100116262	SPCM101006G.U ⁽²⁾ 6438100115418	SPCM101006T.U ⁽²⁾ 6438100115630
125	125	35	20,5	25	10	SPCP131304LG.U 6438100115913	SPCP131304LT.U 6438100116279		
125	125	50	35,5	25	25	SPCP131305LG.U 6438100115920	SPCP131305LT.U 6438100116286		
125	125	60	45,5	50	10	SPCP131306G.U 6438100115937	SPCP131306T.U 6438100116293	SPCM131306G.U ⁽³⁾ 6438100115425	SPCM131306T.U ⁽³⁾ 6438100115647
125	125	75	60,5	25	50	SPCP131308LG.U 6438100115944	SPCP131308LT.U 6438100116316		
125	125	75	60,5	50	25	SPCP131308G.U 6438100115951	SPCP131308T.U 6438100116309	SPCM131308G.U ⁽³⁾ 6438100115432	SPCM131308T.U ⁽³⁾ 6438100115654
125	125	100	85,5	25	75	SPCP131310LG.U 6438100115968	SPCP131310LT.U 6438100116330		
125	125	100	85,5	50	50	SPCP131310G.U 6438100115975	SPCP131310T.U 6438100116323	SPCM131310G.U ⁽³⁾ 6438100115449	SPCM131310T.U ⁽³⁾ 6438100115661
125	125	125	110,5	50	75	SPCP131313G.U 6438100115982	SPCP131313T.U 6438100116347	SPCM131313G.U ⁽³⁾ 6438100115456	SPCM131313T.U ⁽³⁾ 6438100115678
125	175	35	20,5	25	10	SPCP131804LG.U 6438100115999	SPCP131804LT.U 6438100116354		
125	175	50	35,5	25	25	SPCP131805LG.U 6438100116002	SPCP131805LT.U 6438100116361		
125	175	60	45,5	50	10	SPCP131806G.U 6438100116019	SPCP131806T.U 6438100116378	SPCM131806G.U ⁽⁴⁾ 6438100115463	SPCM131806T.U ⁽⁴⁾ 6438100115685
125	175	75	60,5	25	50	SPCP131808LG.U 6438100116033	SPCP131808LT.U 6438100116385		
125	175	75	60,5	50	25	SPCP131808G.U 6438100116026	SPCP131808T.U 6438100116392	SPCM131808G.U ⁽⁴⁾ 6438100115470	SPCM131808T.U ⁽⁴⁾ 6438100115692
125	175	100	85,5	25	75	SPCP131810LG.U 6438100116057	SPCP131810LT.U 6438100116408		
125	175	100	85,5	50	50	SPCP131810G.U 6438100116040	SPCP131810T.U 6438100116415	SPCM131810G.U ⁽⁴⁾ 6438100115487	SPCM131810T.U ⁽⁴⁾ 6438100115708
125	175	125	110,5	25	100	SPCP131813LG.U 6438100116064	SPCP131813LT.U 6438100116422		
125	175	125	110,5	50	75	SPCP131813G.U 6438100116071	SPCP131813T.U 6438100116439	SPCM131813G.U ⁽⁴⁾ 6438100115494	SPCM131813T.U ⁽⁴⁾ 6438100115715
125	175	150	135,5	50	100	SPCP131815G.U 6438100116088	SPCP131815T.U 6438100116446	SPCM131815G.U ⁽⁴⁾ 6438100115500	SPCM131815T.U ⁽⁴⁾ 6438100115722
125	250	125	110,5	50	75	SPCP132513G.U 6438100116095	SPCP132513T.U 6438100116453	SPCM132513G.U ⁽⁵⁾ 6438100115517	SPCM132513T.U ⁽⁵⁾ 6438100115739
175	175	75	60,5	50	25	SPCP181808G.U 6438100116101	SPCP181808T.U 6438100116477	SPCM181808G.U ⁽⁶⁾ 6438100115524	SPCM181808T.U ⁽⁶⁾ 6438100115746
175	175	100	85,5	50	50	SPCP181810G.U 6438100116118	SPCP181810T.U 6438100116484	SPCM181810G.U ⁽⁶⁾ 6438100115531	SPCM181810T.U ⁽⁶⁾ 6438100115753
175	175	100	85,5	75	25	SPCP181810HG.U 6438100409821	SPCP181810HT.U 6438100409838	SPCM181810HG.U ⁽⁷⁾ 6438100409906	SPCM181810HT.U ⁽⁷⁾ 6438100409913
175	175	125	110,5	50	75	SPCP181813G.U 6438100116125	SPCP181813T.U 6438100116460	SPCM181813G.U ⁽⁶⁾ 6438100115548	SPCM181813T.U ⁽⁶⁾ 6438100115760
175	175	125	110,5	75	50	SPCP181813HG.U 6438100409845	SPCP181813HT.U 6438100409852	SPCM181813HG.U ⁽⁷⁾ 6438100409920	SPCM181813HT.U ⁽⁷⁾ 6438100409937
175	175	150	135,5	50	100	SPCP181815G.U 6438100116132	SPCP181815T.U 6438100116491	SPCM181815G.U ⁽⁶⁾ 6438100115555	SPCM181815T.U ⁽⁶⁾ 6438100115777
175	175	150	135,5	75	75	SPCP181815HG.U 6438100409869	SPCP181815HT.U 6438100409876	SPCM181815HG.U ⁽⁷⁾ 6438100409968	SPCM181815HT.U ⁽⁷⁾ 6438100409975
175	175	175	160,5	75	100	SPCP181818HG.U 6438100409883	SPCP181818HT.U 6438100409890	SPCM181818HG.U ⁽⁷⁾ 6438100409982	SPCM181818HT.U ⁽⁷⁾ 6438100409999
175	250	75	60,5	50	25	SPCP182508G.U 6438100116149	SPCP182508T.U 6438100116507	SPCM182508G.U ⁽⁸⁾ 6438100115562	SPCM182508T.U ⁽⁸⁾ 6438100115784
175	250	100	85,5	50	50	SPCP182510G.U 6438100116156	SPCP182510T.U 6438100116514	SPCM182510G.U ⁽⁸⁾ 6438100115579	SPCM182510T.U ⁽⁸⁾ 6438100115791
175	250	100	85,5	75	25	SPCP182510HG.U 6438100409708	SPCP182510HT.U 6438100409715	SPCM182510HG.U ⁽⁹⁾ 6438100409760	SPCM182510HT.U ⁽⁹⁾ 6438100409777
175	250	125	110,5	75	50	SPCP182513HG.U 6438100409722	SPCP182513HT.U 6438100409739	SPCM182513HG.U ⁽⁹⁾ 6438100409784	SPCM182513HT.U ⁽⁹⁾ 6438100409791
175	250	150	135,5	50	100	SPCP182515G.U 6438100116163	SPCP182515T.U 6438100116521	SPCM182515G.U ⁽⁸⁾ 6438100115586	SPCM182515T.U ⁽⁸⁾ 6438100115807
175	250	175	160,5	75	100	SPCP182518HG.U 6438100409746	SPCP182518HT.U 6438100409753	SPCM182518HG.U ⁽⁹⁾ 6438100409807	SPCM182518HT.U ⁽⁹⁾ 6438100409814

¹⁾ 2 x M16/25 + 6 x M12/20 knockouts

²⁾ 2 x M16/25 + 4 x M12/20 knockouts

³⁾ 4 x M16/25 + 6 x M12/20 knockouts

⁴⁾ 4 x M16/25 + 8 x M12/20 knockouts

⁵⁾ 4 x M20/25 knockouts

⁶⁾ 4 x M12/20 + 4 x M16/25 + 10 x M12/20 knockouts

⁷⁾ 2 x M12/M20 + 18 x M20 + 4 x M25 + 2 x M25/M32

+ 2 x M32/M40 knockouts

⁸⁾ 4 x M12/20 + 4 x M16/25 + 12 x M12/20 knockouts

⁹⁾ 2 x M12/M20 + 18 x M20 + 4 x M25 + 4 x M20/M32

+ 4 x M32/M40 knockouts





UL-listed Ensto Cubo D -enclosures

Width (mm)	Height (mm)	Depth (mm)	Base depth (mm)	Inner depth (mm)	UL -listed polycarbonate grey cover (Product code, GTIN-13)	UL -listed Polycarbonate transparent cover (Product code, GTIN-13)
53	55	36	26	27,5	DPCP050504G.U 6438100116538	DPCP050504T.U 6438100116705
53	63	36	26	25,0	DPCP050704G.U 6438100116545	DPCP050704T.U 6438100116712
80	82	56	41	42,0	DPCP080806G.U 6438100116552	DPCP080806T.U 6438100116729
80	82	86	71	72,0	DPCP080809G.U 6438100116569	DPCP080809T.U 6438100116736
80	120	56	41	42,0	DPCP081206G.U 6438100116576	DPCP081206T.U 6438100116743
80	120	86	71	72,0	DPCP081209G.U 6438100116583	DPCP081209T.U 6438100116750
80	160	56	41	42,0	DPCP081606G.U 6438100116590	DPCP081606T.U 6438100116767
80	160	86	71	72,0	DPCP081609G.U 6438100116606	DPCP081609T.U 6438100116774
120	122	56	41	42,0	DPCP121206G.U 6438100116613	DPCP121206T.U 6438100116781
120	122	86	71	72,0	DPCP121209G.U 6438100116620	DPCP121209T.U 6438100116798
120	160	91	61	77,5	DPCP121609G.U 6438100116637	DPCP121609T.U 6438100116804
120	200	86	71	72,0	DPCP122009G.U 6438100116644	DPCP122009T.U 6438100116811
150	200	76	61	62,0	DPCP152008G.U 6438100116651	DPCP152008T.U 6438100116828
160	240	91	76	77,5	DPCP162409G.U 6438100116668	DPCP162409T.U 6438100116835
160	240	121	76	107,5	DPCP162412G.U 6438100116675	DPCP162412T.U 6438100116842
230	300	86	56	72,5	DPCP233009G.U 6438100116682	DPCP233009T.U 6438100116859
230	300	111	56	97,5	DPCP233011G.U 6438100116699	DPCP233011T.U 6438100116866

UL-listed Ensto Cubo O -enclosures, metric knockouts

Width (mm)	Height (mm)	Depth (mm)	Base depth (mm)	Inner depth (mm)	UL-listed polycarbonate grey cover (product code, GTIN-13)	UL-listed polycarbonate transparent cover (product code, GTIN-13)
300	300	132	115	115,0	OPCP202013G.U ⁽¹⁾ 6438100116873	OPCP202013T.U ⁽¹⁾ 6438100117016
300	300	187	115 + 55*	170,0	OPCP202018G.U ⁽²⁾ 6438100116941	OPCP202018T.U ⁽²⁾ 6438100117085
300	400	132	115	115,0	OPCP203013G.U ⁽³⁾ 6438100117880	OPCP203013T.U ⁽³⁾ 6438100117023
300	400	187	115 + 55*	170,0	OPCP203018G.U ⁽⁴⁾ 6438100116958	OPCP203018T.U ⁽⁴⁾ 6438100117092
300	600	132	115	115,0	OPCP204013G.U ⁽³⁾ 6438100116897	OPCP204013T.U ⁽³⁾ 6438100117030
300	600	187	115 + 55*	170,0	OPCP204018G.U ⁽⁴⁾ 6438100116965	OPCP204018T.U ⁽⁴⁾ 6438100117108

^{*)} Includes the extension frame

¹⁾ 12 x M20 + 1 x M16/25 + 8 x M20 + 4 x M25/40

²⁾ 8 x M12/20 + 5 x M16/25 + 12 x M12/20 + 1 x M32/40



DPCP233011T



DPCP081206G



UL-listed Ensto Cubo O, C and W -enclosures

Width (mm)	Height (mm)	Depth (mm)	Base depth (mm)	Inner depth (mm)	UL-listed polycarbonate grey cover (product code, GTIN-13)	UL-listed polycarbonate transparent cover (product code, GTIN-13)	UL-listed polycarbonate grey cover flange knockouts (product code, GTIN-13)	UL-listed polycarbonate transparent cover flange knockouts (product code, GTIN-13)	UL-listed polycarbonate grey cover hinges and latches (product code, GTIN-13)	UL-listed polycarbonate transparent cover, hinges and latches (product code, GTIN-13)
200	200	132	102	115,0	OPCP202013G.U 6438100116873	OPCP202013T.U 6438100117016	CPCF202013G.U ⁽¹⁾ 6438100117276	CPCF202013T.U ⁽¹⁾ 6438100117412	WPCP202013G.U 6438100117559	WPCP202013T.U 6438100117696
200	200	187	102 + 55*	170,0	OPCP202018G.U 6438100116941	OPCP202018T.U 6438100117085	CPCF203013G.U ⁽¹⁾ 6438100117283	CPCF203013T.U ⁽¹⁾ 6438100117429	WPCP203013G.U 6438100117566	WPCP203013T.U 6438100117702
200	300	132	102	115,0	OPCP203013G.U 6438100117880	OPCP203013T.U 6438100117023	CPCF204013G.U ⁽²⁾ 6438100117290	CPCF204013T.U ⁽²⁾ 6438100117436	WPCP204013G.U 6438100117573	WPCP204013T.U 6438100117719
200	300	187	102 + 55*	170,0	OPCP203018G.U 6438100116958	OPCP203018T.U 6438100117092	CPCF303013G.U ⁽²⁾ 6438100117306	CPCF303013T.U ⁽²⁾ 6438100117443	WPCP303013G.U 6438100117580	WPCP303013T.U 6438100117726
200	400	132	102	115,0	OPCP204013G.U 6438100117887	OPCP204013T.U 6438100117030	CPCF304013G.U ⁽²⁾ 6438100117313	CPCF304013T.U ⁽²⁾ 6438100117450	WPCP304013G.U 6438100117597	WPCP304013T.U 6438100117733
200	400	187	102 + 55*	170,0	OPCP204018G.U 6438100116965	OPCP204018T.U 6438100117108	CPCF306013G.U ⁽²⁾ 6438100117320	CPCF306013T.U ⁽²⁾ 6438100117467	WPCP306013G.U 6438100117603	WPCP306013T.U 6438100117740
300	300	132	102	115,0	OPCP303013G.U 6438100116903	OPCP303013T.U 6438100117047	CPCF404013G.U ⁽³⁾ 6438100117993	CPCF404013T.U ⁽³⁾ 6438100118013	WPCP404013G.U 6438100118495	WPCP404013T.U 6438100118501
300	300	187	102 + 55*	170,0	OPCP303018G.U 6438100116972	OPCP303018T.U 6438100117115	CPCF406013G.U ⁽³⁾ 6438100117337	CPCF406013T.U ⁽³⁾ 6438100117474	WPCP406013G.U 6438100117610	WPCP406013T.U 6438100117757
300	400	132	102	115,0	OPCP304013G.U 6438100116910	OPCP304013T.U 6438100117054	CPCF202018G.U ⁽³⁾ 6438100117344	CPCF202018T.U ⁽³⁾ 6438100117481	WPCP202018G.U 6438100117627	WPCP202018T.U 6438100117764
300	400	187	102 + 55*	170,0	OPCP304018G.U 6438100116989	OPCP304018T.U 6438100117122	CPCF203018G.U ⁽³⁾ 6438100117351	CPCF203018T.U ⁽³⁾ 6438100117498	WPCP203018G.U 6438100117634	WPCP203018T.U 6438100117771
300	600	132	102	115,0	OPCP306013G.U 6438100116927	OPCP306013T.U 6438100117061	CPCF204018G.U ⁽⁴⁾ 6438100117368	CPCF204018T.U ⁽⁴⁾ 6438100117504	WPCP204018G.U 6438100117641	WPCP204018T.U 6438100117788
300	600	187	102 + 55*	170,0	OPCP306018G.U 6438100116996	OPCP306018T.U 6438100117139	CPCF303018G.U ⁽⁴⁾ 6438100117375	CPCF303018T.U ⁽⁴⁾ 6438100117511	WPCP303018G.U 6438100117658	WPCP303018T.U 6438100117795
400	400	132	102	115,0	OPCP404013G.U 6438100117986	OPCP404013T.U 6438100117962	CPCF304018G.U ⁽³⁾ 6438100117382	CPCF304018T.U ⁽³⁾ 6438100117528	WPCP304018G.U 6438100117665	WPCP304018T.U 6438100117801
400	400	187	102 + 55*	170,0	OPCP404018G.U 6438100117955	OPCP404018T.U 6438100117979	CPCF306018G.U ⁽³⁾ 6438100117399	CPCF306018T.U ⁽³⁾ 6438100117535	WPCP306018G.U 6438100117672	WPCP306018T.U 6438100117818
400	600	132	102	115,0	OPCP406013G.U 6438100116934	OPCP406013T.U 6438100117078	CPCF404018G.U ⁽⁴⁾ 6438100118006	CPCF404018T.U ⁽⁴⁾ 6438100118020	WPCP404018G.U 6438100118518	WPCP404018T.U 6438100118525
400	600	187	102 + 55*	170,0	OPCP406018G.U 6438100117009	OPCP406018T.U 6438100117146	CPCF406018G.U ⁽⁴⁾ 6438100117405	CPCF406018T.U ⁽⁴⁾ 6438100117542	WPCP406018G.U 6438100117689	WPCP406018T.U 6438100117825

*1) Includes the extension frame

¹⁾ 4 x F1 knockouts

²⁾ 2 x F1 knockouts + 2 x F2 knockouts

³⁾ 4 x F2 knockouts

⁴⁾ 6 x F2 knockouts



OPCP202013G



CPCF203018T



WPCP202013G



WPCP406018T

Ensto PolyBox

For Demanding Environments



Ensto PolyBox enclosures are rugged industrial polycarbonate enclosures with unique and innovative features, such as the integral nonmetallic latch and a corner elevator mounting system for adjustable hinged front kits and back panels.

More than a box – all the benefits in one enclosure!

- › JIC sized nonmetallic enclosure design with new stylish and robust feel and look.
- › Light and tough – excellent impact and fire resistance
- › Technical features and approval on high level
- › Multiple modification possibilities
 - Holes & cutouts
 - Threads & countersinking
 - Silk-screening
 - Ask for other options!



Mounting bosses (screw towers) on the inside of the cover, 4 places (opaque version only).

Max. opening 223°.

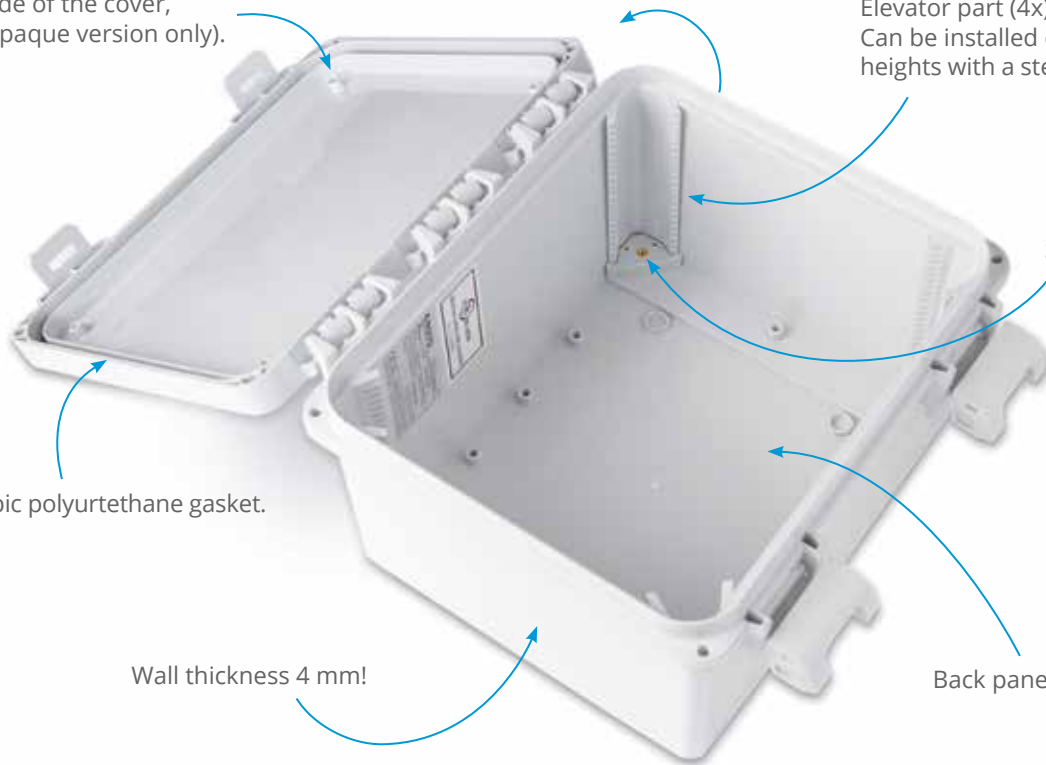
Elevator part (4x)
Can be installed on the different heights with a step of 6.75 mm (1/4").

Screw UNF 10-32 (4x).

Hydrophobic polyurethane gasket.

Wall thickness 4 mm!

Back panel - optional.



Integral Nonmetallic Latch

A robust padlockable nonmetallic latch with only one moving part, providing superior protection.

Corner Elevator System

Ensto's industry exclusive corner elevator system uses a slotted shelf technology that provides solid hinged front surfaces that are easy to install, align and keep level. This system also allows for a back panel to be raised off the back of the enclosure.



Note! The markings help you to install all of the elevator parts at the same height.

Ensto PolyBox

Rugged Industrial Enclosures



Ensto PolyBox in Brief:

- JIC sized nonmetallic enclosure design with new stylish and robust feel and look.
- Light and tough – excellent impact and fire resistance
- Technical features and approval on high level
- Multiple modification possibilities
 - Holes & cutouts
 - Threads & countersinking
 - Silk-screening
 - Ask for other options!



Conformity	
Polycarbonate enclosures:	CE ✓ RoHS UL cUL
Technical information	
UL File no:	E189312
UL category:	NITW, NITW7
Environmental type (UL):	4X, 12, 13, 6P
Operating temperature:	-40 °F...176 °F (-40 °C...+80 °C)
Short term temperature range:	-40 °F...246 °F (-40 °C...+120 °C)
Flammability rating:	UL 746C five inch flame test
Degree of protection:	IP66/IP68/IP69 (submersion 2m/24h)
Impact resistance:	IK10 (-31 °F...104 °F / -35 °C...+40 °C)
Insulation:	Class II
Material	
Base/cover:	Polycarbonate
Gasket:	Hydrophobic PUR
Enclosure side types	
Polycarbonate enclosures:	Plain sides
Standard color	
Base:	RAL 7035
Cover:	RAL 7035 or transparent

Ensto PolyBox Wall Mount Enclosures, Opaque Cover

Height inch (mm)	Width inch (mm)	Depth inch (mm)	Inner height inch (mm)	Inner width inch (mm)	Inner depth inch (mm)	Product code	Description	GTIN-13
8.78 (223)	6.77 (172)	5.47 (139)	7.5 (190)	5.49 (139)	4.13 (105)	UPCG080604	Lift-Off 4-Screws	6438100212049
						UPCG080604F	Lift-Off 4-Screws, Mounting Flange	6438100212056
						UPCG080604HS	Hinged 2-Screws	6438100212063
						UPCG080604HSF	Hinged 2-Screws, Mounting Flange	6438100212070
						UPCG080604HNL	Hinged Nonmetal Snap Latch	6438100212087
						UPCG080604HNLF	Hinged Nonmetal Snap Latch, Mounting Flange	6438100212094
						UPCG080604HML	Hinged Metal Snap Latch	6438100212100
						UPCG080604HMLF	Hinged Metal Snap Latch, Mounting Flange	6438100212117
10.85 (276)	8.85 (225)	7.47 (190)	9.58 (243)	7.57 (192)	6.13 (156)	UPCG100806	Lift-Off 4-Screws	6438100212254
						UPCG100806F	Lift-Off 4-Screws, Mounting Flange	6438100212261
						UPCG100806HS	Hinged 2-Screws	6438100212278
						UPCG100806HSF	Hinged 2-Screws, Mounting Flange	6438100212285
						UPCG100806HNL	Hinged Nonmetal Snap Latch	6438100212292
						UPCG100806HNLF	Hinged Nonmetal Snap Latch, Mounting Flange	6438100212308
						UPCG100806HML	Hinged Metal Snap Latch	6438100212315
						UPCG100806HMLF	Hinged Metal Snap Latch, Mounting Flange	6438100212322
12.82 (326)	10.86 (276)	7.27 (185)	11.55 (293)	9.58 (243)	6.13 (156)	UPCG121006	Lift-Off 4-Screws	6438100212476
						UPCG121006F	Lift-Off 4-Screws, Mounting Flange	6438100212483
						UPCG121006HS	Hinged 2-Screws	6438100212490
						UPCG121006HSF	Hinged 2-Screws, Mounting Flange	6438100212506
						UPCG121006HNL	Hinged Nonmetal Snap Latch	6438100212513
						UPCG121006HNLF	Hinged Nonmetal Snap Latch, Mounting Flange	6438100212520
						UPCG121006HML	Hinged Metal Snap Latch	6438100212537
						UPCG121006HMLF	Hinged Metal Snap Latch, Mounting Flange	6438100212544
18.99 (482)	16.98 (431)	11.47 (291)	17.71 (450)	15.7 (399)	10.13 (257)	UPCG181610	Lift-Off 4-Screws	6438100213152
						UPCG181610F	Lift-Off 4-Screws, Mounting Flange	6438100213169
						UPCG181610HS	Hinged 2-Screws	6438100213176
						UPCG181610HSF	Hinged 2-Screws, Mounting Flange	6438100213183
						UPCG181610HNL	Hinged Nonmetal Snap Latch	6438100213190
						UPCG181610HNLF	Hinged Nonmetal Snap Latch, Mounting Flange	6438100213206
						UPCG181610HML	Hinged Metal Snap Latch	6438100213213
						UPCG181610HMLF	Hinged Metal Snap Latch, Mounting Flange	6438100213220



Ensto PolyBox Wall Mount Enclosures, Clear Cover

Height inch (mm)	Width inch (mm)	Depth inch (mm)	Inner height inch (mm)	Inner width inch (mm)	Inner depth inch (mm)	Product code	Description	GTIN-13
8.78 (223)	6.77 (172)	5.47 (139)	7.5 (190)	5.49 (139)	4.13 (105)	UPCT080604	Lift-Off 4-Screws	6438100212179
						UPCT080604F	Lift-Off 4-Screws, Mounting Flange	6438100212186
						UPCT080604HS	Hinged 2-Screws	6438100212193
						UPCT080604HSF	Hinged 2-Screws, Mounting Flange	6438100212209
						UPCT080604HNL	Hinged Nonmetal Snap Latch	6438100212216
						UPCT080604HNLF	Hinged Nonmetal Snap Latch, Mounting Flange	6438100212223
						UPCT080604HML	Hinged Metal Snap Latch	6438100212230
10.85 (276)	8.85 (225)	7.47 (190)	9.58 (243)	7.57 (192)	6.13 (156)	UPCT100806	Lift-Off 4-Screws	6438100212391
						UPCT100806F	Lift-Off 4-Screws, Mounting Flange	6438100212407
						UPCT100806HS	Hinged 2-Screws	6438100212414
						UPCT100806HSF	Hinged 2-Screws, Mounting Flange	6438100212421
						UPCT100806HNL	Hinged Nonmetal Snap Latch	6438100212438
						UPCT100806HNLF	Hinged Nonmetal Snap Latch, Mounting Flange	6438100212445
						UPCT100806HML	Hinged Metal Snap Latch	6438100212452
12.82 (326)	10.86 (276)	7.27 (185)	11.55 (293)	9.58 (243)	6.13 (156)	UPCT121006	Lift-Off 4-Screws	6438100212629
						UPCT121006F	Lift-Off 4-Screws, Mounting Flange	6438100212636
						UPCT121006HS	Hinged 2-Screws	6438100212643
						UPCT121006HSF	Hinged 2-Screws, Mounting Flange	6438100212650
						UPCT121006HNL	Hinged Nonmetal Snap Latch	6438100212667
						UPCT121006HNLF	Hinged Nonmetal Snap Latch, Mounting Flange	6438100340711
						UPCT121006HML	Hinged Metal Snap Latch	6438100212674
18.99 (482)	16.98 (431)	11.47 (291)	17.71 (450)	15.7 (399)	10.13 (257)	UPCT181610	Lift-Off 4-Screws	6438100213305
						UPCT181610F	Lift-Off 4-Screws, Mounting Flange	6438100213312
						UPCT181610HS	Hinged 2-Screws	6438100213329
						UPCT181610HSF	Hinged 2-Screws, Mounting Flange	6438100213336
						UPCT181610HNL	Hinged Nonmetal Snap Latch	6438100213343
						UPCT181610HNLF	Hinged Nonmetal Snap Latch, Mounting Flange	6438100213350
						UPCT181610HML	Hinged Metal Snap Latch	6438100213367
						UPCT181610HMLF	Hinged Metal Snap Latch, Mounting Flange	6438100213374



Hinged, Nonmetal Snap Latch (HNL)



Hinged, Metal Snap Latch (HML)



Hinged 2-Screws, Padlock Clamp (HS)



Lift-Off 4-Screws (No Suffix)

Accessories for Ensto PolyBox Wall Mount Enclosures

Mounting Flanges

Product code	Description	GTIN-13
UMF06	For 080604, bulk 100 pcs	6438100211820
UMF06.02	For 080604, Kit of 2 pcs	6438100211837
UMF08	For 100806, bulk 100 pcs	6438100212339
UMF08.02	For 100806, Kit of 2 pcs	6438100212346
UMF10	For 121006, bulk 100 pcs	6438100212551
UMF10.02	For 121006, Kit of 2 pcs	6438100212568
UMF16	For 181610, bulk 100 pcs	6438100212773
UMF16.02	For 181610, Kit of 2 pcs	6438100212780



UMF16

Back Panels

For sizes (HxW) inch	Galvanized Steel (Product code, GTIN-13)	White painted steel (Product code, GTIN-13)	Aluminium (Product code, GTIN-13)	Polycarbonate (Product code, GTIN-13)
8.0 x 6.0	UBP0806Z 6438100212124	UBP0806ZW 6438100212131	UBP0806A 6438100212148	UBP0806P 6438100214050
10.0 x 8.0	UBP1008Z 6438100212353	UBP1008ZW 6438100212360	UBP1008A 6438100340681	UBP1008P 6438100340698
12.0 x 10.0	UBP1210Z 6438100212575	UBP1210ZW 6438100212582	UBP1210A 6438100212599	UBP1210P 6438100340704
18.0 x 16.0	UBP1816Z 6438100213251	UBP1816ZW 6438100213268	UBP1816A 6438100213275	UBP1816P 6438100340728



UBP1816Z

Front Panels, Aluminium

For sizes (HxW) inch	Full cover front panel (Product code, GTIN-13)	Hinged front panel kit (Product code, GTIN-13)
8.0 x 6.0	UHP0806 6438100212162	UHF0806A 6438100212155
10.0 x 8.0	UHP1008 6438100212384	UHF1008A 6438100212377
12.0 x 10.0	UHP1210 6438100212612	UHF1210A 6438100212605
18.0 x 16.0	UHP1816 6438100213299	UHF1816A 6438100213282



UHP1816

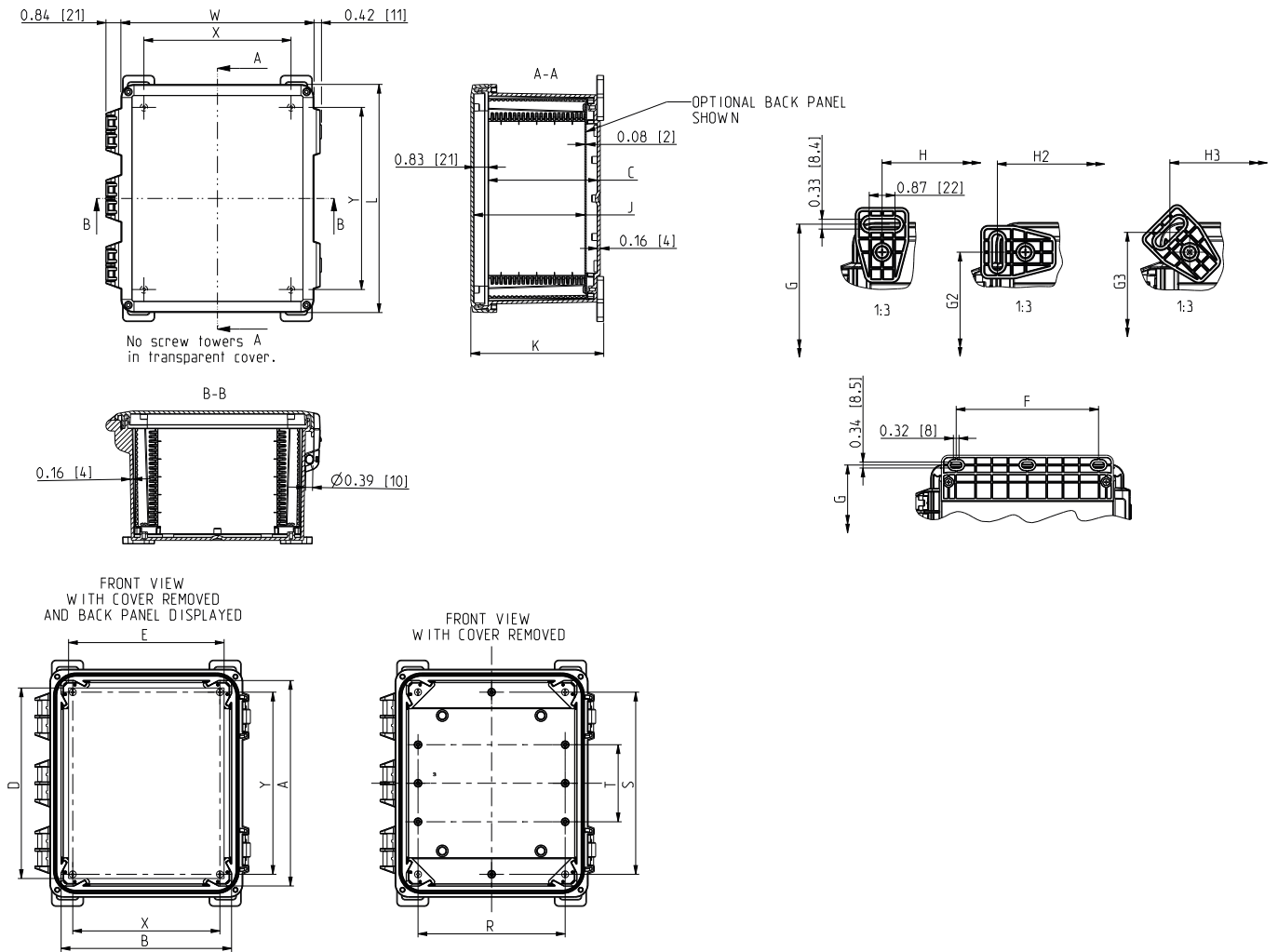
Other Accessories

Product code	Description	GTIN-13
Mounting Brackets		
UMB1	Nonmetal mounting bracket/foot, bulk 500 pcs	6438100211844
UMB1.04	Nonmetal mounting bracket/foot, kit of 4 pcs	6438100211851
Screws		
UBPS1	Back panel screw, bulk 1000 pcs	6438100211936
UBPS1.04	Back panel screw, kit 4 pcs	6438100211943
UCS1	Metal cover screw 1000 pcs	6438100212032
UCS1.04	Metal cover screw, kit of 4 pcs	6438100340735
UFS1	Mounting flange screw, bulk 1000 pcs	6438100340766
UFS1.04	Mounting flange screw, kit 4 pcs	6438100340773
Corner Elevators		
UEL1	Corner elevator part 1000 pcs	6438100340742
UEL1.04S	Corner elevator part with screws, kit 4 +4 pcs	6438100350710
Cover Plugs		
UCBP1	Cover blanking plug, bulk 1000pcs	6438100340742
UCBP1.04	Cover blanking plug, kit 4 pcs	6438100341107
Front Panel Hinge Kit		
UHFP1.04	Front panel hinge kit of 2 hinges and 2 elevators	6438100344399



UHF1008A

Dimensional Drawing



Dimensional Chart

Product code	Internal dimensions				External dimensions			Panel size		Mounting dimensions					Panel mounting holes		Bottom screw tower dimensions		
	A	B	C	J	L	W	K	D	E	G	H	H2	H3	F	Y	X	S	T	R
UPC#080604****	190	139	105	108	223	172	139	171	120	222	123	171	157	102	159	108	163	-	108
UPC#100806****	243	192	156	159	276	225	190	222	171	273	174	222	208	152.4	210	159	210	65	159
UPC#121006****	293	243	156	159	326	276	190	272	222	323	225	273	259	203	260	210	260	110	210
UPC#181610****	450	399	257	260	482	431	291	425	374	476	377	425	411	356	413	362	413	138	362

Dimensions in mm

= G = Grey (Opaque)
T = Transparent

**** = HNL = Hinged, Nonmetal Snap Latch
HML = Hinged, Metal Snap Latch

HS = Hinged 2-Screws, Padlock Clamp
No Suffix = Lift-Off 4-Screws

Ensto Modulo distribution enclosures

IP65

Sizes 166 x 231 x 113 to 418 x 586 x 148 mm



Ensto Modulo enclosure in brief:

- Available in 9 sizes, capacity for 4 to 54 modules
- Factory installed DIN-rails, earth and neutral bars
- Factory made metric knockouts from M20 to M40
- Removable DIN-rail chassis for models with two or more rows
- Sealed screws at four points for easy installation

Contents of the product package:

- Enclosure base
- Cover with hinged window
- Cover screws
- Pre-mounted DIN rails
- Pre-mounted N/PE busbars
- Cover plate
- Marker

Further information

- Common enclosure accessories, pages 50-53
- Dimensional drawings, pages 62-95
- Product cards, dimensional drawings and 3D models can be found at ensto.com.

Conformity	
ABS enclosures:	CE
Standards	
	EN 62208
Technical information	
Degree of protection:	IP65
Impact resistance: (-25 °C ... +40 °C)	IK08 (5 J)
Auto-extinguishing degree:	UL 94 HB
Insulation:	Class II
Glow wire test:	650 °C
Service temperature: (empty boxes)	-25 ... +70 °C
Maximum voltage: (empty boxes)	1000 V AC / 1500 V DC
Earth and Neutral bars:	500 V / 125A
Body	
Material:	ABS
UV resistance: (ISO 4892-2 meth. A)	500 hour
Color:	Grey, RAL 7035
Window	
Material:	Polycarbonate
UV resistance: (ISO4892-2 meth. A)	1000 hour
Color:	Transparent, smoke grey

For outdoor use an enclosure of polycarbonate is highly recommended, available on request.



Earth and Neutral bars at double height, section 12 x 6.5 mm are factory installed.



Window is hinged. This means that the opening direction can be changed quickly and safely.



Joining enclosures is easy. A channel for wiring is possible with a joining kit for mounting enclosures horizontally (MODB25M) or vertically (MODB40M).



DIN-rails can be installed into two height positions. Fixing requires only one screw.

Ensto Modulo distribution enclosures, ABS

Product code	Description	Dimensions (mm)			Weight (kg)	Package size (pcs)	GTIN-13
		Width	Height	Depth			
MODAB41PN	Distribution enclosure 4 modules	166	231	113	0.722	1	6438100196226
MODAB61PN	Distribution enclosure 6 modules	202	231	113	0.762	1	6438100196233
MODAB81PN	Distribution enclosure 8 modules	238	231	118	0.929	1	6438100196240
MODAB121PN	Distribution enclosure 12 modules	310	246	148	1.415	1	6438100196257
MODAB181PN	Distribution enclosure 18 modules	418	286	148	1.879	1	6438100196264
MODAB242PN	Distribution enclosure 24 modules	310	436	148	2.357	1	6438100196271
MODAB362PN	Distribution enclosure 36 modules	418	436	148	2.918	1	6438100196288
MODAB363PN	Distribution enclosure 36 modules	310	586	148	3.098	1	6438100196295
MODAB543PN	Distribution enclosure 54 modules	418	586	148	3.949	1	6438100196301



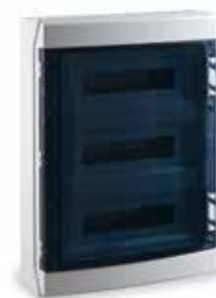
MODAB41PN



MODAB121PN



MODAB242PN



MODAB543PN

Accessories

Product code	Description	Weight (kg)	Package size (pcs)	GTIN-13
MODHI2	Base frame inner hinge	0.005	10	6438100197094
MODKL2	Lock triangle 2 units with key	0.018	1	6438100197100
MODKL3	Security key lock	0.038	1	6438100197117
MODB25M	Bushing joining enclosures 25M	0.017	1	6438100197124
MODB40M	Bushing joining enclosures 40M	0.025	1	6438100197131
MODKL1	Standard lock	0.012	10	6438100197148
MODHI1	Hinge, spare part	0.002	12	6438100197155

Spare parts

Product code	Description	Dimensions (mm)			Weight (kg)	Package size (pcs)	GTIN-13
		Width	Height	Depth			
MODD041	Transparent door 4 modules	170	150	30	0.092	1	6438100197759
MODD061	Transparent door 6 modules	200	150	30	0.115	1	6438100197766
MODD081	Transparent door 8 modules	240	150	30	0.129	1	6438100197773
MODD121	Transparent door 12 modules	310	170	30	0.202	1	6438100197780
MODD181	Transparent door 18 modules	420	170	30	0.249	1	6438100197797
MODD242	Transparent door 24 mod 2r	310	320	30	0.375	1	6438100197803
MODD362	Transparent door 36 mod 2r	420	320	30	0.526	1	6438100197810
MODD363	Transparent door 36 mod 3r	310	470	30	0.556	1	6438100197827
MODD543	Transparent door 54 mod 3r	420	470	30	0.742	1	6438100197834



MODHI2



MODKL3



MODB25M



MODKL1

Ensto terminal junction boxes IP65

Sizes 125 x 125 x 75 to 300 x 600 x 132 mm



Ensto Cubo T enclosure in brief:

- Include everything needed for connecting wires, extending or branching cables as well as enclosing
- Available with Ensto Clampo Compact terminal blocks and Ensto Clampo Pro Universal terminals
- Include either Ensto Cubo S or C thermoplastic enclosures
- The enclosure has exactly the right dimensions in terms of the terminals and the required bending space
- Save time choosing products (all of the required items can be ordered with one ordering number only)
- Need less storage space (no separate packages)

Conformity	
Standards	
Enclosure:	EN 62208
Ensto Clampo Compact terminal:	EN 60947-7-1
Ensto Clampo Pro terminals:	EN 61238-1 for aluminium conductors, EN 60947-7-1 for copper conductors
Material	
Enclosure:	Fiberglass reinforced polycarbonate
Housing (terminals):	Polyamide
Body and screws:	Tin-coated aluminium or nickel-coated brass
Mechanical features	
Screw head:	Hexagonal or slot
Standard color	
Base and cover:	Grey RAL 7035

Item	Ensto Cubo T1	Ensto Cubo T2	Ensto Cubo T3	Ensto Cubo T4	Ensto Cubo T5
Product code	TPM131308G001	TPCF203013G002	TPCF304013G003	TPCF304013G004	TPCF306013G005
GTIN-13	6418677182372	6418677182389	6418677182396	6418677182402	6418677182419
Cross-section	Cu 12 x 6 mm ²	Al/Cu 5 x 6–35 mm ²	Al/Cu 5 x 16–95 mm ²	Al/Cu 2 x (5 x 16 – 70) mm ²	Al/Cu 2 x (5 x 35 – 150) mm ²
Package content:					
Ensto Cubo enclosure	SPCM131308G	CPCF203013G	CPCF304013G	CPCF304013G	CPCF306013G
Cover screws (pcs)	4	4	4	4	6
Cable glands incl. strain relief	2 x M16, 2 x M20, 1 x M25	-	-	-	-
Counter nuts	2 x M16, 2 x M20, 1 x M25	-	-	-	-
Cover plug	1 x M25	-	-	-	-
Membrane flanges	-	2 x F1201	2 x F2204	2 x F2204	2 x F2204
Flange bolt sets	-	2	2	2	2
Base supports	-	-	2	2	2
Fastening lugs, set	1	1	1	1	1
DIN rails/mounting plate	1 x DIN 15 rail, 13 cm	1 x DIN 35 rail, 16 cm	1 x DIN 35 rail, 26 cm	1 x DIN 35 rail, 26 cm	1 x mounting plate 30 x 40 cm
Mounting screws (pcs)	2	2	2	2	4
End holder	2	2	2	2	-
Terminals	1 x 12-pole, grey (KR8121)	1 x 3-pole, grey (KE61.03), 1 x blue (KE61.2), 1 x yellow-green (KE61.3)	3 x grey (KE62), 1 x blue (KE62.2), 1 x yellow-green (KE62.3)	3 x grey (KE67), 1 x blue (KE67.2), 1 x yellow-green (KE67.3)	3 x grey (KE68), 1 x blue (KE68.2), 1 x yellow-green (KE68.3)
Marking	1–12	L1, L2, L3	L1, L2, L3	L1, L2, L3	L1, L2, L3
Cross connectors	2 x 3-pole (KRL6067.03)	-	-	-	-



Ensto Cubo T1



Ensto Cubo T2



Ensto Cubo T3



Ensto Cubo T5



Polyester enclosures

The enclosures are made of glass-reinforced polyester and are extremely durable. They can replace stainless steel enclosures in challenging conditions. The cost-effective polyester enclosing solution used is UV-resistant, has self-extinguishing properties and is halogen-free. The cabinets can be used in various environments and application areas such as maritime, metering and control, renewable energies as well as water and waste water treatment.

BENEFITS:

- › Quick deliveries
- › Wide temperature range
- › Suitable for outdoor use

Range comparison

Ensto Cubo N wall cabinets, IP66

- › Sizes 250 x 300 x 140 to 600 x 800 x 300 mm
- › Available with plain sides or with a polycarbonate window
- › Quick fixture brackets at the back allow fitting without drilling
- › Built-in protective edge prevents entry of water when opening the door
- › Vertical patterns on the inner side of the door enables correct fitting of devices

Ensto Cubo M enclosures, IP66

- › Sizes 75 x 80 x 55 to 400 x 405 x 120 mm
- › Available with plain sides
- › Captive cover screws of stainless steel
- › Stainless steel inserts for DIN rails
- › Possible to make threaded entries for cable glands



Ensto Cubo N wall cabinets, IP66

Sizes 250 x 300 x 140 to 600 x 800 x 300 mm



Ensto Cubo N wall cabinets in brief:

- Available with plain sides or with a polycarbonate window
- The product has been tested according to standards EN 62208:2011
- Superb temperature resistance
- Sturdy construction and high resistance to corrosion and solvents
- Suitable for highly demanding environments such as waste water treatment and the petrochemical/chemical industries
- Quick fixture brackets at the back allow fitting without drilling
- Built-in protective edge allows you to open the door 180° in installations and also prevents entry of water when opening the door
- Vertical patterns on the inner side of the door enables correct fitting of devices

Contents of the product package:

- Enclosure base
- Door
- Lock and DIN 3 keys (one for each lock) (or 3-point closing with swing handle)

Further information

- Common enclosure accessories, pages 50-53
- Dimensional drawings, pages 62-95
- Product cards, dimensional drawings and 3D models can be found at ensto.com.

Conformity	
GRP enclosures:	CE RoHS UL cUL
Standards	
EN 62208, UL 508A	
Technical information	
Degree of protection:	IP66
Impact resistance:	IK10, IK08 +25 °C, window
Operating temperature:	-40 °C... 80 °C
Short term temperature range:	-50 °C... 140 °C
Glow wire test:	960 °C
Flammability rating:	UL 746C (5 inch flame)
UL File no:	E189312
UL category:	NITW, NITW7
Insulation:	Class II
Material	
Base/cover:	Fibreglass reinforced polyester
Lock:	Double bit DIN 3.0 mm
Gasket:	PUR (polyurethane)
Enclosure side types	
GRP enclosures:	Plain sides / customer-specific holes
Standard color	
Base/cover:	Grey RAL 7035

Ensto Cubo N wall cabinets

Width (mm)	Height (mm)	Depth (mm)	Polyester plain sides (product code, GTIN-13)	Polyester 3-point closing with swing handle / DIN3, plain sides (product code, GTIN-13)	Polyester polycarbonate window plain sides (product code, GTIN-13)	UL-listed, polyester plain sides (product code, GTIN-13)	UL-listed, polyester polycarbonate window plain sides (product code, GTIN-13)
250	300	140	NGRP253014 6438100123451		NGRW253014 6438100123642	NGRP253014.U 6438100133528	NGRW253014.U 6438100133597
300	400	200	NGRP304020 6438100123468	NGRP304020P3SH 6438100123581	NGRW304020 6438100123659	NGRP304020.U 6438100133535	NGRW304020.U 6438100133603
400	400	200	NGRP404020 6438100123475	NGRP404020P3SH 6438100123598	NGRW404020 6438100123666	NGRP404020.U 6438100133542	NGRW404020.U 6438100133610
400	500	200	NGRP405020 6438100123482	NGRP405020P3SH 6438100123604	NGRW405020 6438100123673	NGRP405020.U 6438100133559	NGRW405020.U 6438100133627
400	600	230	NGRP406023 6438100123499	NGRP406023P3SH 6438100123611	NGRW406023 6438100123680	NGRP406023.U 6438100133566	NGRW406023.U 6438100133634
500	600	230	NGRP506023 6438100123505	NGRP506023P3SH 6438100123628	NGRW506023 6438100123697	NGRP506023.U 6438100133573	NGRW506023.U 6438100133641
600	800	300	NGRP608030 6438100123512	NGRP608030P3SH 6438100123635	NGRW608030 6438100123703	NGRP608030.U 6438100133580	NGRW608030.U 6438100133658
800	600	300	NGRP806030 6438100205010	NGRP806030P3SH 6438100206772			



NGRP506023



NGRP404020P3SH



NGRW304020



NGRP608030P3SH

Mounting plates and DIN rails

Product code	Description	Dimensions (mm)	Package size (pcs)	GTIN-13
Mounting plates, GRP				
NGRMP2530	For 250 x 300 mm enclosures	213 x 268 x 4	1	6438100123833
NGRMP3040	For 300 x 400 mm enclosures	260 x 358 x 4	1	6438100123840
NGRMP4040	For 400 x 400 mm enclosures	360 x 358 x 4	1	6438100123857
NGRMP4050	For 400 x 500 mm enclosures	360 x 458 x 4	1	6438100123864
NGRMP4060	For 400 x 600 mm enclosures	360 x 558 x 4	1	6438100123871
NGRMP5060	For 500 x 600 mm enclosures	460 x 558 x 4	1	6438100123888
NGRMP6080	For 600 x 800 mm enclosures	556 x 754 x 4	1	6438100123895
Mounting plates, galvanized steel				
NMP2530	For 250 x 300 mm enclosures	207 x 268 x 2	1	6438100123970
NMP3040	For 300 x 400 mm enclosures	254 x 358 x 2	1	6438100123987
NMP4040	For 400 x 400 mm enclosures	354 x 358 x 2	1	6438100123994
NMP4050	For 400 x 500 mm enclosures	354 x 458 x 2	1	6438100124007
NMP4060	For 400 x 600 mm enclosures	354 x 558 x 2	1	6438100124014
NMP5060	For 500 x 600 mm enclosures	454 x 558 x 2	1	6438100124021
NMP6080	For 600 x 800 mm enclosures	558 x 754 x 2	1	6438100124038
DIN rails, DIN 46277/3, galvanized steel				
DR35220.6	For 250 mm sides	230 x 35	1	6438100174071
DR35270.6	For 300 mm sides	280 x 35	1	6438100174088
DR35370.6	For 400 mm sides	380 x 35	1	6438100159733
DR35470.6	For 500 mm sides	480 x 35	1	6438100174095
DR35565.6	For 600 mm sides	575 x 35	1	6438100174101



NGRMP3040



NMP5060



Chassis for modular devices, NMC4060.54. The kit includes a metal frame with DIN rails and module cover plates.

Front panels and accessories

Product code	Description	Dimensions (mm)	Package size (pcs)	GTIN-13
Chassis for modular devices, IP20				
NMC3040.24	For 300 x 400 mm wall cabinets, 2 DIN openings for 12 modules	-	1	6438100124366
NMC4040.36	For 400 x 400 mm wall cabinets, 2 DIN openings for 18 modules	-	1	6438100124373
NMC4050.54	For 400 x 500 mm wall cabinets, 3 DIN openings for 18 modules	-	1	6438100124380
NMC4060.54	For 400 x 600 mm wall cabinets, 3 DIN openings for 18 modules	-	1	6438100124397
NMC5060.69	For 500 x 600 mm wall cabinets, 3 DIN openings for 23 modules	-	1	6438100124403
NMC6080.116	For 600 x 800 mm wall cabinets, 4 DIN openings for 29 modules	-	1	6438100124410
Internal door kit, GRP				
NID3040	For 300 x 400 mm wall cabinets	258 x 366	1	6438100124304
NID4040	For 400 x 400 mm wall cabinets	358 x 366	1	6438100124311
NID4050	For 400 x 500 mm wall cabinets	358 x 466	1	6438100124328
NID4060	For 400 x 600 mm wall cabinets	358 x 566	1	6438100124335
NID5060	For 500 x 600 mm wall cabinets	458 x 566	1	6438100124342
NID6080	For 600 x 800 mm wall cabinets	558 x 766	1	6438100124359
Wall mounting lugs				
NFL1	Set of 4 pcs, plastic	-	1	6438100124670
NFL2	Set of 4 pcs, AISI 304	-	1	6438100169954
Locks				
NDIN1	DIN 3 lock with T-handle (standard lock)	-	1	6438100160296
NKL1	Key lock with a T-handle	-	1	6438100124816
NPD3041	Padlocking accessory, AISI 304	-	1	6438100124854



Internal door kit, NID4060.



Wall mounting lugs, NFL1.



Key lock with a T-handle, NKL1.



Padlocking accessory, NPD3041.

Ensto Cubo M enclosures, IP66

Sizes 75 x 80 x 55 to 400 x 405 x 120 mm



Ensto Cubo M enclosure in brief:

- Available with plain sides
- Available in 13 sizes
- Sturdy construction and high resistance to corrosion and solvents
- Suitable for highly demanding environments such as oil refineries and the petrochemical/chemical industries
- Due to the nature of polyester, ordering enclosures with ready-made cut-outs is recommended

Contents of the product package:

- Enclosure base
- Cover
- Cover screws
- Mounting screws

Further information

- Common enclosure accessories, pages 50-53
- Dimensional drawings, pages 62-95
- Product cards, dimensional drawings and 3D models can be found at ensto.com.

Technical information	
Degree of protection:	IP66
Impact resistance:	7 Nm
Operating temperature:	-40 °C... 110 °C
Insulation:	Class II
Material	
Base/cover:	Glass reinforced polyester (GRP)
Cover screws:	Stainless steel
Gasket:	EPDM*
Enclosure side types	
GRP enclosures:	Plain sides
Standard color	
Base/cover:	Similar to grey RAL 7000

*ethylene propylene diene M-class rubber

Width (mm)	Height (mm)	Depth (mm)	Inner depth (mm)	Polyester plain sides (product code, GTIN-13)	Mounting plates, galvanized steel	DIN rails galvanized steel	
						DIN-15	DIN-35
75	80	55	47.5	MGRP080806 6418677165610	MMP0808B 6418677157752	DR15.0808M 6418677158018	
75	110	55	47.5	MGRP081106 6418677165627	MMP0811B 6418677157769	DR15.0811 6418677158025	
75	160	55	47.5	MGRP081606 6418677165634	MMP0816B 6418677157776	DR15.0816 6418677158032	
75	190	55	47.5	MGRP081906 6418677165641	MMP0819B 6418677157783	DR15.0819 6418677158063	
120	122	90	81.0	MGRP121209 6418677165658	MMP1212B 6418677157790		DR35.1212 6418677157059
120	220	90	82.0	MGRP122209 6418677165672	MMP1222B 6418677157806		DR35.1220 6418677157066
160	160	91	81.5	MGRP161609 6418677165689	MMP1616B 6418677157813		DR35.1616 6418677157080
160	260	91	80.0	MGRP162609 6418677165702	MMP1626B 6418677157820		DR35.1626 6418677157097
160	360	91	81.5	MGRP163609 6418677165719	MMP1636B 6418677157837		DR35.1636 6418677158070
160	560	91	81.5	MGRP165609 6418677165726	MMP1656B 6418677157844		DR35.1656 6418677157103
250	255	120	109.0	MGRP252612 6418677165733	MMP2526B 6418677157851		DR35.2526 6418677158087
250	400	120	109.0	MGRP254012 6418677165757	MMP2540B 6418677157868		DR35.2540.41 6418677158094
400	405	120	109.0	MGRP404112 6418677165764	MMP4041B 6418677157875		DR35.2540.41 6418677158094



Ensto Cubo M enclosures have plain sides and captive cover screws of stainless steel.



Other accessories

Product code	Description	Dimensions (mm)	Package size (pcs)	GTIN-13
HMH12	Hinge pair	25 x 40 x 11.5	1	6418677165443

Machining polyester enclosures is difficult, for which reason ordering customized enclosures is recommended.

Aluminium enclosures

The weight of aluminium is only about a quarter of that of steel. It has high impact-resistance, a wide temperature-resistance range and excellent corrosion-resistance.

BENEFITS:

- › Quick deliveries
- › Wide size range
- › Light weight
- › Excellent water-resistance



Ensto Cubo H enclosures, IP66

Sizes 50 x 45 x 30 to 310 x 601 x 180 mm



Ensto Cubo H enclosure in brief:

- › Available with plain sides
- › Available in 29 sizes
- › Meets the requirements of the machine and military industry as regards to resistance to solvents, petrol and oil

Contents of the product package:

- › Enclosure base
- › Cover
- › Cover screws
- › Mounting screws

Further information

- › Common enclosure accessories, pages 50-53
- › Dimensional drawings, pages 62-95
- › Product cards, dimensional drawings and 3D models can be found at ensto.com.

Technical information

Degree of protection:	IP66
Impact resistance:	7 Nm
Operating temperature:	-40 °C... +110 °C
Material	
Base/cover:	Polyester-painted aluminium
Cover screws:	Stainless steel
Gasket:	PUR (polyurethane)
Enclosure side types	
Aluminium enclosures:	Plain sides
Standard color	
Base/cover:	Grey RAL 7001



Captive cover screws of stainless steel are included in the delivery of Ensto Cubo H enclosures. Mounting screws are integrated in the enclosure base.

Ensto Cubo H enclosures

Width (mm)	Height (mm)	Depth (mm)	Inner depth (mm)	Polyester-painted aluminium plain sides (product code, GTIN-13)	Mounting plates, galvanized steel (product code, GTIN-13)	DIN rails, galvanized steel	
						DIN-15	DIN-35
50	45	30.0	24.5	HALP050503 6418677165450			
64	58	34.0	28.5	HALP060604 6418677165771			
64	98	35.0	29.0	HALP061004 6418677165788		DR15.0610 6418677156991	
64	150	35.0	27.5	HALP061504 6418677165795		DR15.0615 6418677157004	
80	75	57.5	51.5	HALP080806 6418677165801	HMP0808B 6418677157578	DR15.0808H 6418677157011	
80	125	58.0	52.5	HALP081306 6418677165818	HMP0813B 6418677157585	DR15.0813 6418677157028	
80	125	125.5	117.5	HALP081313 6438100088279	HMP0813B 6418677157585	DR15.0813 6418677157028	
80	175	58.0	52.0	HALP081806 6418677165825	HMP0818B 6418677157592	DR15.0818 6418677157035	
80	250	57.5	50.5	HALP082506 6418677165832		DR15.0825 6418677157042	
120	122	82.0	72.5	HALP121208 6438100090395	HMP1212B 6418677157608		DR35.1212 6418677157059
120	122	92.5	83.0	HALP121209 6418677165849	HMP1212B 6418677157608		DR35.1212 6418677157059
120	220	81.5	72.5	HALP122208 6438100088286	HMP1222B 6418677157615		DR35.1220 6418677157066
120	220	91.0	82.5	HALP122009 6418677165856	HMP1222B 6418677157615		DR35.1220 6418677157066
121	360	82.5	72.5	HALP123608 6418677165863	HMP1236B 6418677157622		DR35.12/1636 6418677157073
160	160	92.0	82.0	HALP161609 6418677165870	HMP1616B 6418677157639		DR35.1616 6418677157080
160	260	91.5	82.0	HALP162609 6418677165887	HMP1626B 6418677157646		DR35.1626 6418677157097
160	360	91.5	82.0	HALP163609 6418677165894	HMP1636B 6418677157653		DR35.12/1636 6418677157073
160	560	92.0	81.0	HALP165609 6418677165900	HMP1656B 6418677157660		DR35.1656 6418677157103
202	232	111.5	102.5	HALP202311 6418677165917	HMP2023B 6418677157677		DR35.2023 6418677157110
200	230	181.0	172.0	HALP202318 6418677165924	HMP2023B 6418677157677		DR35.2023 6418677157110
230	280	111.5	102.5	HALP232811 6418677165931	HMP2333B 6418677157691		DR35.2333 6418677157141
233	335	112.0	102.5	HALP233311 6418677165948	HMP2360B 6418677157714		DR35.23/3160 6418677157165
234	335	182.0	172.0	HALP233318 6418677165955	HMP2328B 6418677157684		DR35.2328 6418677157134
230	400,5	111.5	99.0	HALP234011 6418677165962	HMP2333B 6418677157691		DR35.2333 6418677157141
230	600	114.0	101.5	HALP236011 6418677165979	HMP2340B 6418677157707		DR35.23/3140 6418677157158
310	403	111.5	100.5	HALP314011 6418677165986	HMP3160B 6418677157738		DR35.23/3160 6418677157165
310	403	181.5	171.0	HALP314018 6418677165993	HMP3160B 6418677157738		DR35.23/3160 6418677157165
310	601	112.0	102.0	HALP316011 6418677166006	HMP3140B 6418677157721		DR35.23/3140 6418677157158
310	601	180.0	169.0	HALP316018 6418677166013	HMP3140B 6418677157721		DR35.23/3140 6418677157158

Other accessories

Product code	Description	Dimensions (mm)	Package size (pcs)	GTIN-13
HHM12	Hinge pair	25 x 40 x 11.5	1	6418677165443



HALP050503



HALP163609



HHM12



HMP0808B



DR15.0808H

Common enclosure accessories

We offer a wide range of accessories, for instance flanges, pole mounting brackets, thermal management accessories, cable glands, rubber grommets, expansion and reduction nipples.

BENEFITS:

- › Wide range of accessories
- › Sourcing of third-party accessories
- › Assembly services

Flanges

Product code	Description	Dimensions (mm)	Package size (pcs)	GTIN-13
Cover plates for flange openings				
F1151	F1 size excl. gasket, PC/ABS	137 x 48	1	6418677171833
F2251	F2 size Includes PUR gasket, PC	216 x 86	1	6418677171949
Gland flanges				
F1165	F1 size, excl. gasket, 3 x M20, PC/ABS	137 x 48	1	6418677152641
F1166	F1 size, excl. gasket, 3 x M25, PC/ABS	137 x 48	1	6418677152658
F1167	F1 size, excl. gasket, 1 x M32, PC/ABS	137 x 48	1	6418677152665
F2157	F2 size, Includes PUR gasket, 3 x Pg21 + 4 x Pg16, PC	216 x 86	1	6418677171956
F2158	F2 size, Includes PUR gasket, 2 x Pg29 + 6 x Pg16, PC	216 x 86	1	6418677171963
F2159	F2 size, Includes PUR gasket, 2 x Pg36 + 4 x Pg16, PC	216 x 86	1	6418677171970
F2160	F2 size, Includes PUR gasket, 8 x Pg16, PC	216 x 86	1	6418677171987
F2161	F2 size, Includes PUR gasket, 10 x Pg13.5, PC	216 x 86	1	6418677171994
F2168	F2 size, Includes PUR gasket, 4 x M20 + 1 x M25 + 2 x M32, PC	216 x 86	1	6418677152672
F2169	F2 size, Includes PUR gasket, 6 x M20 + 1 x M32 + 1 x M40, PC	216 x 86	1	6418677152689
F2170	F2 size, Includes PUR gasket, 4 x M20 + 2 x M40, PC	216 x 86	1	6418677152696
F2171	F2 size, incl. PUR gasket, 8 x M20, PC	216 x 86	1	6418677152702
F2172	F2 size, incl. PUR gasket, 10 x M16, PC	216 x 86	1	6418677152719
Knockout flanges				
F2252	F2 size, Includes PUR gasket, 7 x Pg11 + 7 x Pg9/16, PC	216 x 86	1	6418677172113
F2253	F2 size, Includes PUR gasket, 2 x Pg21/29/36 + 2 x Pg9/16 + 1 x Pg11, PC	216 x 86	1	6418677172397
F2254	F2 size, Includes PUR gasket, 5 x Pg16/21 + 2 x Pg11 + 1 x Pg9/16, PC	216 x 86	1	6418677172403
F2255	F2 size, Includes PUR gasket, 7 x M16 + 7 x M12/20, PC	216 x 86	1	6418677172595
F2256	F2 size, Includes PUR gasket, 2 x M20/32/50 + 2 x M12/20 + 2 x M16, PC	216 x 86	1	6418677172625
F2257	F2 size, Includes PUR gasket, 5 x M20/32 + 2 x M16 + 1 x M12/20, PC	216 x 86	1	6418677172700
Membrane flanges				
F1201	F1 size, for 5x ø 7-30 mm cables, EPDM	138 x 48	1	6418677171871
F2202	F2 size, for 25 x ø 5-26 mm cables, EPDM	216 x 84	1	6418677172007
F2203	F2 size, for 35 x ø 5-26 mm cables, EPDM	216 x 84	1	6418677172014
F2204	F2 size, for 3 x ø 24-60 mm cables, EPDM	216 x 84	1	6418677172021
F1155	F1 size, excl. gasket, 3 x ø 21 + 4 x ø 15 mm, TPE	135 x 47	1	6418677171888
F1156	F1 size, excl. gasket, 4 x ø 16 + 6 x ø 13 mm, TPE	135 x 47	1	6418677171895
F2162	F2 size, excl. gasket, 3 x ø30 + 6 x ø18 + 16 x ø14 mm, TPE	226 x 87	1	6418677172038
F2163	F2 size, excl. gasket, 9 x ø18 + 24 x ø14 mm, TPE	226 x 87	1	6418677172045

EPDM = ethylene propylene diene M-class rubber
TPE = thermoplastic elastomer



F2251



F2157



F2252



F2202

Flange accessories

Product code	Description	Dimensions (mm)	Package size (pcs)	GTIN-13
F2CE.1	Cable spreader for 1 cable	216 x 86 x 68	1	6418677181672
F2C50E	50 mm extension frame for F2 flange, polycarbonate	216 x 86 x 50	1	6418677173448
F1G	Self-adhesive flange gasket, F1 size	137 x 48	1	6418677171925
F2G	Self-adhesive flange gasket, F2 size	216 x 84	1	6418677172076
F1SS20	Flange bolt set, F1 size, steel bolt with plastic head	M6 x 20	1	6418677173066
F2SS20	Flange bolt set, F2 size, steel bolt with plastic head	M8 x 20	1	6418677171932
F2SS20L	Flange bolt set, F2 size, steel bolt with plastic head + steel connector	M8 x 20	1	6418677181689
F1PA25	Flange bolt set, F1 size, polyamide	M6 x 25	1	6418677173080
F2PA30	Flange bolt set, F2 size, polyamide	M8 x 30	1	6418677172083
PMR1857	Flange/base support for F2 size, polyamide	216 x 22	10	6418677172106
PMR1858	Isolating cup for support PMR1857, polyamide	ø 18 mm	20	6418677171796



Cable spreader for 1 cable, F2CE.1.

Flange and gland sets

Product code	Description	Dimensions (mm)	Package size (pcs)	GTIN-13
F2202KIT	Flange set, F2202, F2 size	84 x 215 x 40	1	6418677182556
F2CE.1T	Complete cable entry, F2 size	84 x 215 x 40	1	6418677181535
KTM1.1	Cable gland set: 2 x M12, 3 x M16, 2 x M20	135 x 210 x 25	1	6418677173233
KTM2.1	Cable gland set: 3 x M16, 2 x M20, 2 x M25	135 x 210 x 30	1	6418677173240
KTM3.1	Cable gland set: 4 x M20, 2 x M25, 1 x M32	135 x 210 x 55	1	6418677173257
F2GSS20T	Mounting kit for Cubo C bases, F2 size	200 x 250 x 15	1	6418677181504
OLSH1.2	Hinged and slotted cover screw, pair (blue)	130 x 170 x 15	1	6418677181511



Pole mounting brackets for Cubo O, C, W and N enclosures

Pole mounting brackets were designed to securely fasten your enclosure to a pole. The pole mounting brackets are a set of two rails or a plate with a pole clamp and needed screws.

Product code	Description	Dimensions (mm)	Package size (pcs)	GTIN-13
Sets of two rails				
PMB20	For 200 mm wide enclosure	28 x 35 x 195	1	6438100131739
PMB25	For 250 mm wide enclosure	28 x 35 x 245	1	6438100135430
PMB30	For 300 mm wide enclosure	28 x 35 x 295	1	6438100131753
PMB40	For 400 mm wide enclosure	28 x 35 x 395	1	6438100131760
PMB50	For 500 mm wide enclosure	28 x 35 x 495	1	6438100131777
PMB60	For 600 mm wide enclosure	28 x 35 x 595	1	6438100131784
Sets with a plate				
PMB2020	For 200 mm wide enclosure	41 x 200 x 205	1	6438100131746



Condensation and pressure relief

Product code	Description	Dimensions (mm)	Package size (pcs)	GTIN-13
Ventilation and drain valve				
BVD22	Ventilation device, IP55 type 4x, polycarbonate siloxane,	50 x 50 x 20	1	6438100161590
DWP1	Drain water plug, IP44, rubber	Ø33	1	6418677172731
Breathers				
BPA10H	Breather, IP68, polyamide, grey, 120 l/h	Ø19 x 17	1	6418677184314
BPA10HB	Breather, IP68, polyamide, black, 120 l/h	Ø19 x 17	1	6418677184321



Ventilation device, IP55, BVD22.

Distance bushings

Product code	Description	Dimensions	Package size (pcs)	GTIN-13
PSK36.050	External Ø 10 mm, aluminium	Length 5.0 mm	100	6418677166907
PSK36.085	External Ø 10 mm, aluminium	Length 8.5 mm	100	6418677166914
PSK36.100	External Ø 10 mm, aluminium	Length 10.0 mm	100	6418677166921
PSK36.120	External Ø 10 mm, aluminium	Length 12.0 mm	100	6418677166938
PSK36.150	External Ø 10 mm, aluminium	Length 15.0 mm	100	6418677166945
PSK36.200	External Ø 10 mm, aluminium	Length 20.0 mm	100	6418677166952
PSK36.250	External Ø 10 mm, aluminium	Length 25.0 mm	100	6418677166969
PSK36.300	External Ø 10 mm, aluminium	Length 30.0 mm	50	6418677166976
PSK36.350	External Ø 10 mm, aluminium	Length 35.0 mm	50	6418677166983
PSK36.400	External Ø 10 mm, aluminium	Length 40.0 mm	50	6418677166990
PSK36.450	External Ø 10 mm, aluminium	Length 45.0 mm	50	6418677167003
PSK36.500	External Ø 10 mm, aluminium	Length 50.0 mm	50	6418677167010



PSK36.150

Cable glands, metric thread

Dimensions	Cable gland, grey polyamide with strain relief, IP68 (product code, GTIN-13)	Cable gland, grey polyamide with strain relief, IP68, long thread (product code, GTIN-13)	Counter nut grey polyamide (product code, GTIN-13)	Cover plug grey polyamide (product code, GTIN-13)
M12	KTM24.12 6416031851124 Cable Ø 3-6.5 mm, thread length 8 mm		PMR1218.12 6416031859120	PMR1217.12 6416031853128
M16	KTM24.16 6416031851162 Cable Ø 5-10 mm, thread length 10 mm	KTM24.16L 6418677171062 Cable Ø 5-10 mm, thread length 15 mm	PMR1218.16 6416031859168	PMR1217.16 6416031853166
M20	KTM24.20 6416031851209 Cable Ø 10-14 mm, thread length 10 mm	KTM24.20L 6418677171079 Cable Ø 10-14 mm, thread length 15 mm	PMR1218.20 6416031859205	PMR1217.20 6416031853203
M25	KTM24.25 6416031851254 Cable Ø 13-18 mm, thread length 10 mm	KTM24.25L 6418677171086 Cable Ø 13-18 mm, thread length 15 mm	PMR1218.25 6416031859250	PMR1217.25 6416031853258
M32	KTM24.32 6416031851322 Cable Ø 18-25 mm, thread length 18 mm		PMR1218.32 6416031859328	PMR1217.32 6416031853326
M40	KTM24.40 6416031851407 Cable Ø 22-32 mm, thread length 18 mm		PMR1218.40 6416031859403	PMR1217.40 6416031853401
M50	KTM24.50 6416031851506 Cable Ø 30-38 mm, thread length 18 mm		PMR1218.50 6416031859502	PMR1217.50 6416031853500
M63	KTM24.63 6418677171031 Cable Ø 34-44 mm, thread length 18 mm		PMR1218.63 6418677171048	PMR1217.63 6418677171055



KTM24.12



KT24.07

Rubber grommets, metric thread

Dimensions	Membrane gasket (product code, GTIN-13)	Membrane gasket, V-0 (product code, GTIN-13)
M12	RGM12 6438100143442 Cable Ø 4-7 mm	RGM12.V0 6438100143305 Cable Ø 3-5 mm
M16	RGM16 6438100143459 Cable Ø 5-9 mm	RGM16.V0 6438100143312 Cable Ø 5-7 mm
M20	RGM20 6438100143466 Cable Ø 8-13 mm	RGM20.V0 6438100143329 Cable Ø 7-10 mm
M25	RGM25 6438100143473 Cable Ø 11-17 mm	RGM25.V0 6438100143336 Cable Ø 10-14 mm
M32	RGM32 6438100143480 Cable Ø 15-20 mm	RGM32.V0 6438100143343 Cable Ø 14-20 mm
M40	RGM40 6438100143497 Cable Ø 19-28 mm	RGM40.V0 6438100143350 Cable Ø 20-26 mm
M50	RGM50 6438100143503 Cable Ø 27-35 mm	RGM50.V0 6438100143367 Cable Ø 26-35 mm



RGM25

Inspection windows, polycarbonate

Product code	Description	Dimensions (mm)	Package size (pcs)	GTIN-13
Hinged windows				
VMA2	For 2 modules	67 x 59	1	6418677151170
VMA4	For 4 modules	67 x 94	1	6418677151187
VMA6	For 6 modules	67 x 130	1	6418677151194
VMA8	For 8 modules	67 x 163	1	6418677151200
VMA10	For 10 modules	67 x 200	1	6418677151217
VMA12	For 12 modules	67 x 233	1	6418677151224
Window				
VMA1519	Opening: 113 x 153 mm, includes screws	150 x 190 x 10	1	6418677174193



VMA2



VMA1519

Other accessories

Product code	Description	Dimensions (mm)	Package size (pcs)	GTIN-13
PMR70.1612	Wiring plug, cable lead-through 16 mm, 12 ea./set	Ø 20/16	5	6418677163784
PMR1387	Plug for cover panel, Ø 6 mm hole	20 x 31 x 6	100	6418677166730
PME1	Cover plate, width 45 mm, length 2 m (PVC)	45 x 2000 x 7	1	6418677166747
KY2.15	Plastic latch, 15 mm closing space	Ø 23 x 26	100	6418677166754
ST80/U	Delta key, △ 11 mm	34 x 52 x 16	10	6418677170430
KY1.20	Fixing screw for kWh meter	M5 x 22	100	6418677166792
PTK14	Sealing screw, M4 x 10/16mm	L = 16	100	6418677166808
PTK13	Sealing screw, M4 x 16/22mm	L = 22	100	6418677166815
PTK11	Sealing screw, M4 x 20/25mm	L = 25	100	6418677166822
PLE152	Sealing screw, F4,2 x 16/21 mm	L = 21	100	6418677166839

Because life matters





Ensto Vulcano fire protection junction boxes

E30

E60

E90

Technical equipment with function maintenance is critical at all locations where large numbers of people tend to gather such as airports, hospitals, government agencies and industrial plants.

The Ensto Vulcano high-quality fire protection junction boxes are designed to be used in cable systems with system circuit integrity.

BENEFITS:

- › Save time - ease of installation
- › High temperature-resistant ceramic terminals
- › Tapping blocks available
- › Compact size, takes less space at the installation site

Function maintenance required from 30 to 90 minutes in the case of fire

The requirement for electrical installations with function maintenance is part of the construction regulations. Regulations require a power supply to be assured for a specific period of time, even if there is a fire.

Emergency lighting, smoke extractors, and alarms must remain operational for at least 30, 60 or 90 minutes, according to requirements, so people can leave the building and rescue forces can work.

Junction boxes must be verified with EN 60670 conformity. This includes environmental requirements, such as moisture, protection from dust and environmental temperature, corrosion and mechanical stress, as well as electrical testing conditions. In order to meet fire protection requirements, electrical installation systems must operate for 30, 60 or 90 minutes and withstand temperatures of up to 1000 °C, according to DIN 4102-12.



Function maintenance for a safe evacuation and rescue

30 minutes

For buildings to be cleared quickly, function maintenance must be guaranteed e.g. for the following equipment:

- Safety lighting systems
- Lifts with fire control
- Fire alarm systems
- Alarm systems and systems to issue instructions
- Fire extraction systems

Function maintenance for effective fire-fighting

90 minutes

To support fire-fighting operations, it is important that technical equipment is supplied with sufficient power, even up to 90 minutes after a fire breaks out. This equipment includes:

- Water pressure increase systems for the fire water supply
- Mechanical smoke extraction systems and smoke protection pressure systems
- Fire brigade lifts



Benefits of using our solution

We offer high-quality fire protection junction boxes made from plastics and metals. Our solutions are developed for demanding industrial use requiring durability. The product range comprises junction

boxes made of plastic and metal, especially manufactured for fire resistant cable systems. We also produce our own high temperature-resistant ceramic terminals.



Save time - ease of installation

- Everything factory-mounted
- Terminal rail, easy to mount/dismount
- Quick-release cover screws



High temperature-resistant ceramic terminals

- The conductive terminal body is made of a special alloy with a very high melting point
- Ensto terminals



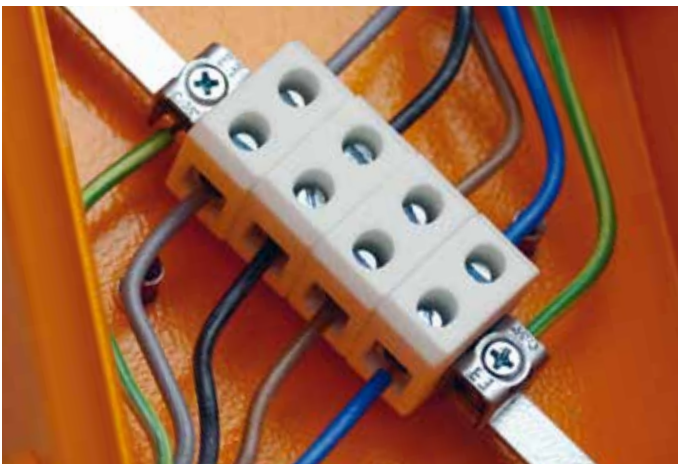
Tapping blocks

- Ceramic 1-pole tapping terminals
- Large tapping capacity - 4 conductor spaces
- Easy to expand later on - tapping places may be left as a reserve for later use

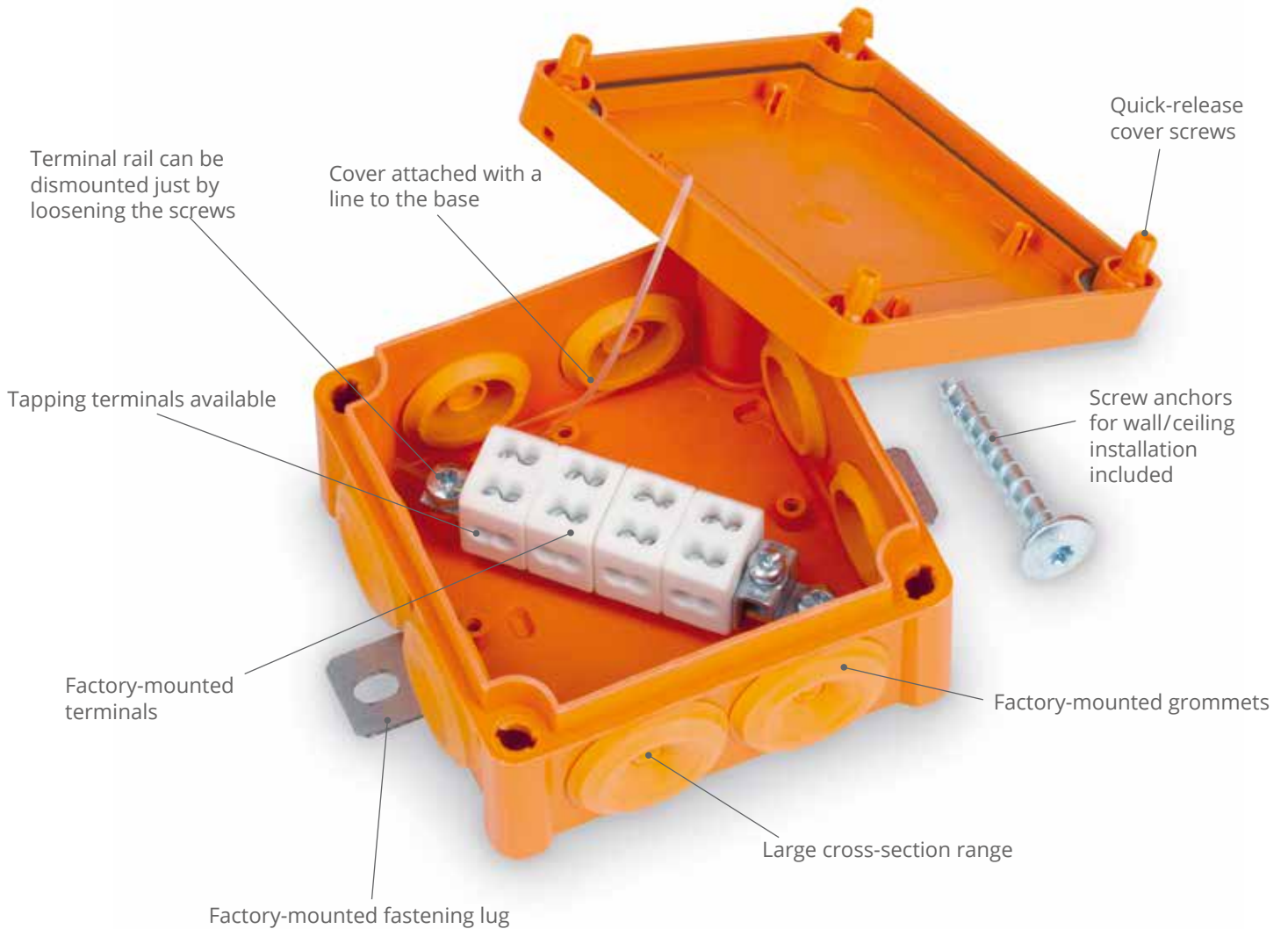


Compact size

- Takes less space at the installation site
- Stylish solution for a wide range of applications



We have thought of every small detail – for efficient installations



Ensto Vulcano plastic junction boxes

The Ensto Vulcano plastic fire protection junction boxes are manufactured from halogen-free thermoplastic with ceramic terminals. Junction boxes are tested to E30, E60, E90, according to DIN 4102-12. The degree of protection is IP65.



Plastic junction boxes in brief

- › Halogen-free elastic thermoplastic
- › Compact sizes
- › Available in two sizes
- › Factory-mounted cable entries and fastening lugs
- › Screw anchors for wall/ceiling installation included
- › Terminal rail easy to mount/dismount
- › Quick-release cover screws
- › Cover and cover screws equipped with sealing holes
- › Cover attached with a line to the base to prevent losing the cover
- › Available with single terminal blocks or tapping terminals

Contents of product package

- › Enclosure base
- › Cover
- › Cover screws
- › Cover line
- › Fastening plate
- › Screw anchors for wall/ceiling mounting
- › Terminal rail
- › Terminal rail mounting screws
- › Ceramic terminals
- › PE terminal(s)
- › Rubber grommets

Conformity	
Standards	
Boxes for household and similar fixed electrical installations	EN 60670-1:2005 EN 60670-22:2006
Terminal blocks for copper conductors	EN 60947-7-1:2009
Connecting devices for household	EN 60998-2-1:2004
Fire resistance of electric cable systems	DIN 4102-12
Technical information	
Degree of protection	IP65
Cross-section range	Cu 1.5 - 16 mm ²
Nominal current range	41 - 76 A
Nominal insulation voltage	750 V
Ambient temperature (min.)	-25 °C
Ambient temperature (max.)	+40 °C
Ambient temperature (24 h)	+35 °C
Fire resistance class	E30 - E90
Material	
Enclosure	Polypropylene
Screws	Polycarbonate
Gasket	PUR (polyurethane)
Mechanical features	
Cable entries	Rubber grommets and knock-outs
Colour	RAL 2003 orange

Product code	Enclosure size	Cross-section (mm ²)	Number of terminals	Number of termination points/terminal	Earthing terminal cross section (mm ²)	Rubber grommets	Knock-outs	Package size (pcs)	Weight (kg)	GTIN-13
FPT1010PP46	100 x 100 x 50	1.5 - 6	4	2	16	8 x M25	2 x M25	8	0.290	6438100180782
FPT1010PP46.4	100 x 100 x 50	1.5 - 6	4	4	16	8 x M25	2 x M25	8	0.307	6438100180799
FPT1815PP416	175 x 150 x 80	2.5 - 16	4	2	35	2 x M32 + 2 x M40	2 x M25 + 6 x M32	6	0.745	6438100180805
FPT1815PP416.4	175 x 150 x 80	2.5 - 16	4	4	35	2 x M32 + 2 x M40	2 x M25 + 6 x M32	6	0.900	6438100180812



FPT1010PP46



FPT1010PP46.4



FPT1815PP416



FPT1815PP416.4

Ensto Vulcano steel junction boxes

Ensto Vulcano steel fire protection junction boxes are manufactured from polyester painted mild steel. They meet the degree of protection of IP65 and impact resistance of IK09. The boxes are equipped with ceramic terminals.





Steel junction boxes in brief

- › Available in three sizes
- › Factory-mounted cable entries and fastening lugs
- › Screw anchors for wall/ceiling installation included
- › Terminal rail easy to mount/dismount
- › Available with single terminal blocks or tapping terminals

Contents of product package

- › Enclosure base
- › Cover
- › Cover screws with gaskets and cage nuts
- › Screw anchors for wall/ceiling mounting
- › Terminal rail
- › Terminal rail mounting screws
- › Ceramic terminals
- › PE terminal(s)
- › Rubber grommets
- › Accessories for earthing the cover

Conformity	
CE  	
Standards	
Boxes for household and similar fixed electrical installations	EN 60670-1:2005 EN 60670-22:2006
Terminal blocks for copper conductors	EN 60947-7-1:2009
Connecting devices for household	EN 60998-2-1:2004
Fire resistance of electric cable systems	DIN 4102-12
Technical information	
Degree of protection	IP65
Impact resistance	IK09
Cross-section range	Cu 1.5 – 16 mm ²
Nominal current range	41 – 76 A
Nominal insulation voltage	750 V
Ambient temperature (min.)	-25 °C
Ambient temperature (max.)	+40 °C
Ambient temperature (24 h)	+35 °C
Fire protection	E30 – E90
Material	
Enclosure	Polyester painted mild steel
Screws	Steel
Gasket	PUR (polyurethane)
Mechanical features	
Cable entries	Rubber grommets and knockouts
Colour	RAL 2003E orange

Product code	Enclosure size	Cross-section (mm ²)	Number of terminals	Number of termination points / terminal	Earthing terminal cross-section (mm ²)	Rubber grommets	Knock-outs	Package size (pcs)	Weight (kg)	GTIN-13
FPT1515FE46	150 x 150 x 80	1.5 - 6	4	2	16	4 x M25	4 x M25	1	1.430	6438100180829
FPT1515FE46.4	150 x 150 x 80	1.5 - 6	4	4	16	4 x M25	4 x M25	1	1.455	6438100180836
FPT2215FE416	220 x 150 x 80	2.5 - 16	4	2	35	4 x M32	2 x M32 + 4 x M25	1	1.965	6438100180843
FPT2215FE416.4	220 x 150 x 80	2.5 - 16	4	4	35	4 x M32	2 x M32 + 4 x M25	1	2.115	6438100180850
FPT2222FE416	220 x 220 x 100	2.5 - 16	4	2	35	2 x M32 + 2 x M40	4 x M25 + 2 x M32 + 2 x M40	1	2.600	6438100180867
FPT2222FE416.4	220 x 220 x 100	2.5 - 16	4	4	35	2 x M32 + 2 x M40	4 x M25 + 2 x M32 + 2 x M40	1	2.750	6438100180874



FPT1515FE46



FPT1515FE46.4



FPT2215FE416



FPT2222FE416.4

Accessories

Product code	Description	Weight (kg)	Package size (pcs)	GTIN-13
Fuse element				
FPT-FH.2A	Fuse element for fire protection junction boxes, 2A	0.0331	50	6438100363734
Rubber grommets				
RMM25.O	M25, cable diameter 8-17 mm, TPE, IP67	0.005	50	6438100191580
RMM32.O	M32, cable diameter 12-24 mm, TPE, IP67	0.007	25	6438100191597
RMM40.O	M40, cable diameter 19-30 mm, TPE, IP67	0.012	25	6438100191603



RMM32.O



The fuse element FPT-FH.2A is mounted outside the junction box to a M25 opening. This way the wiring space inside the box is maximized.



The fuse element FPT-FH.2A includes a fuse holder, 2A ceramic fuse, M25 cable gland with a counter nut and 2 pcs of fire protected conductors. The conductors are 200 mm long with 1,5 mm² cross-section.

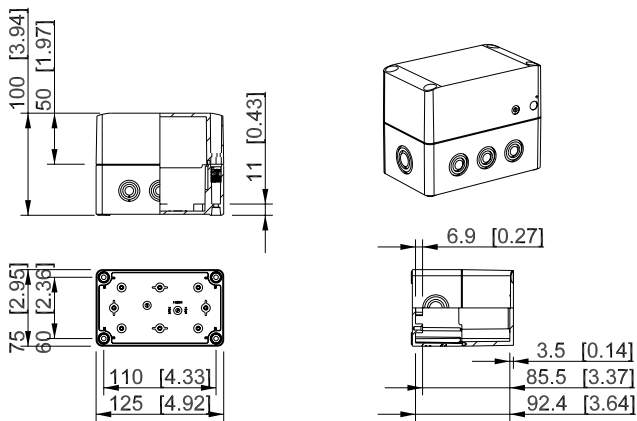
Dimensional drawings



Dimensional drawings, Ensto Cubo S

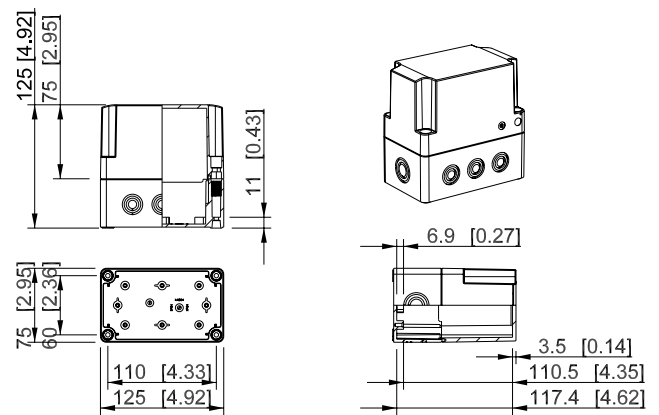
Dimensions in mm [inches]

Ensto Cubo S 75 x 125 x 100 mm



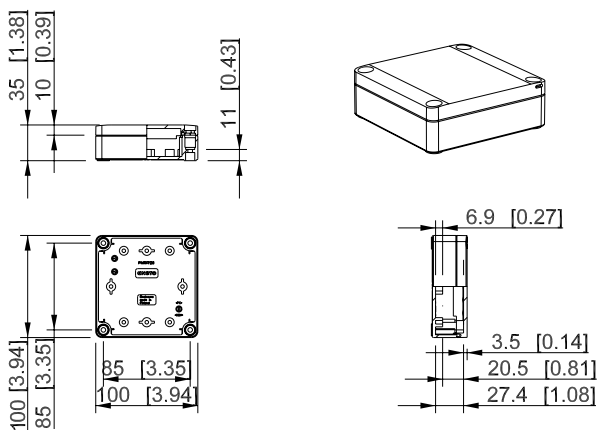
Grey cover	Transparent cover	Description
SPCP081310G	SPCP081310T	Plain sides, polycarbonate
SABP081310G	SABP081310T	Plain sides, ABS
SPCM081310G	SPCM081310T	2 x M16/25 + 6 x M12/20, PC
SPCK081310G	SPCK081310T	2 x Pg9/13,5 + 6 x Pg9/13,5, PC

Ensto Cubo S 75 x 125 x 125 mm



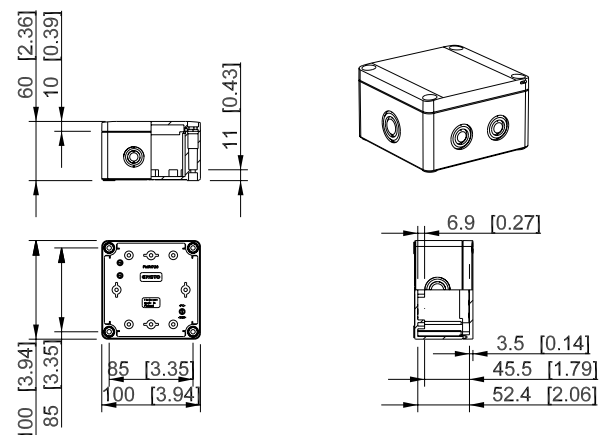
Grey cover	Transparent cover	Description
SPCP081313G	SPCP081313T	Plain sides, polycarbonate
SABP081313G	SABP081313T	Plain sides, ABS
SPCM081313G	SPCM081313T	2 x M16/25 + 6 x M12/20, PC
SPCK081313G	SPCK081313T	2 x Pg9/13,5 + 6 x Pg9/13,5, PC

Ensto Cubo S 100 x 100 x 35 mm



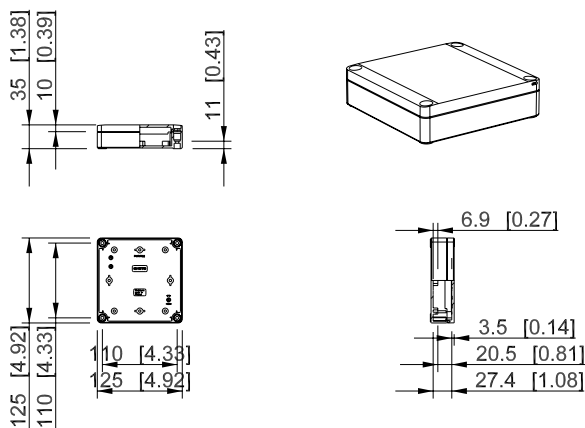
Grey cover	Transparent cover	Description
SPCP101004LG	SPCP101004LT	Plain sides, polycarbonate
SABP101004LG	SABP101004LT	Plain sides, ABS

Ensto Cubo S 100 x 100 x 60 mm



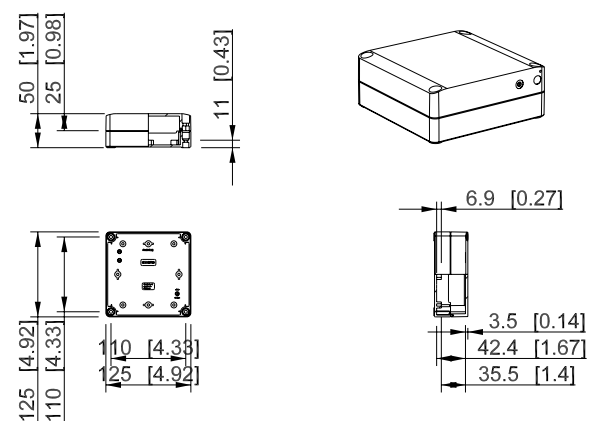
Grey cover	Transparent cover	Description
SPCP101006G	SPCP101006T	Plain sides, polycarbonate
SABP101006G	SABP101006T	Plain sides, ABS
SPCM101006G	SPCM101006T	2 x M16/25 + 4 x M12/20, PC

Ensto Cubo S 125 x 125 x 35 mm



Grey cover	Transparent cover	Description
SPCP131304LG	SPCP131304LT	Plain sides, polycarbonate
SABP131304LG	SABP131304LT	Plain sides, ABS

Ensto Cubo S 125 x 125 x 50 mm

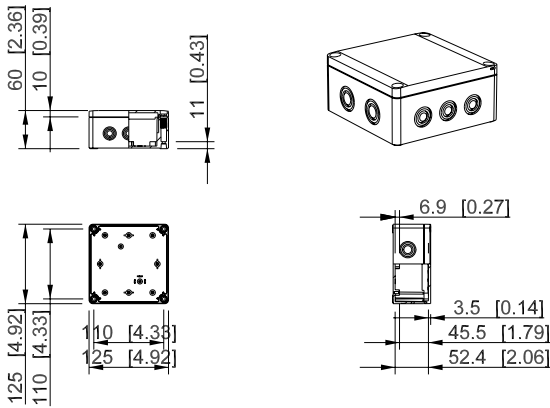


Grey cover	Transparent cover	Description
SPCP131305LG	SPCP131305LT	Plain sides, polycarbonate
SABP131305LG	SABP131305LT	Plain sides, ABS

Dimensional drawings, Ensto Cubo S

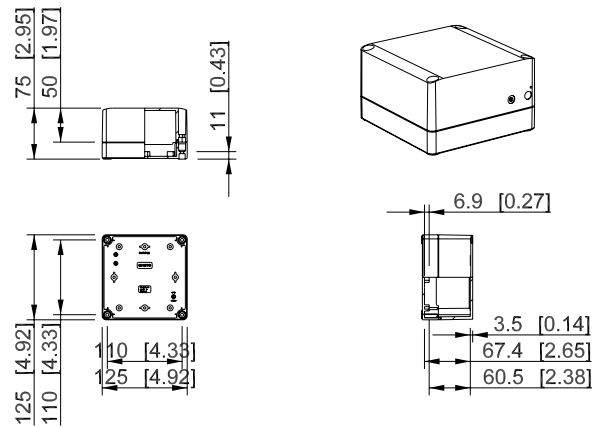
Dimensions in mm [inches]

Ensto Cubo S 125 x 125 x 60 mm



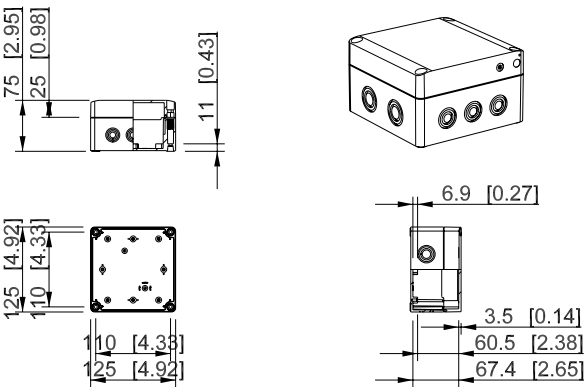
Grey cover	Transparent cover	Description
SPCP131306G	SPCP131306T	Plain sides, polycarbonate
SABP131306G	SABP131306T	Plain sides, ABS
SPCM131306G	SPCM131306T	4 x M16/25 + 6 x M12/20, PC
SPCK131306G	SPCK131306T	4 x Pg16/21 + 6 x Pg9/13,5, PC

Ensto Cubo S 125 x 125 x 75 mm



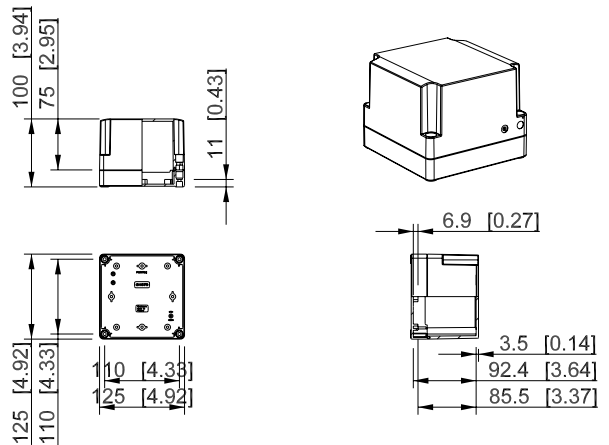
Grey cover	Transparent cover	Description
SPCP131308LG	SPCP131308LT	Plain sides, polycarbonate
SABP131308LG	SABP131308LT	Plain sides, ABS

Ensto Cubo S 125 x 125 x 75 mm



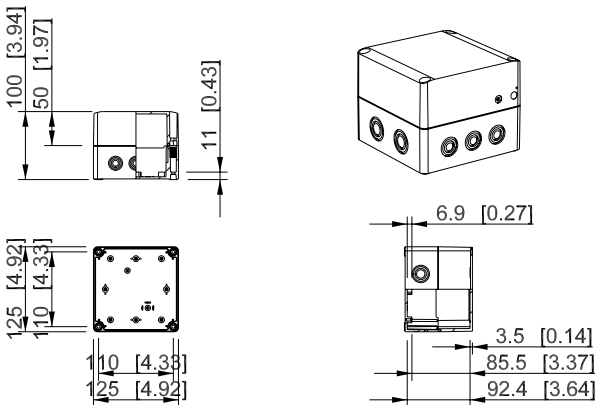
Grey cover	Transparent cover	Description
SPCP131308G	SPCP131308T	Plain sides, polycarbonate
SABP131308G	SABP131308T	Plain sides, ABS
SPCM131308G	SPCM131308T	4 x M16/25 + 6 x M12/20, PC
SPCK131308G	SPCK131308T	4 x Pg16/21 + 6 x Pg9/13,5, PC

Ensto Cubo S 125 x 125 x 100 mm



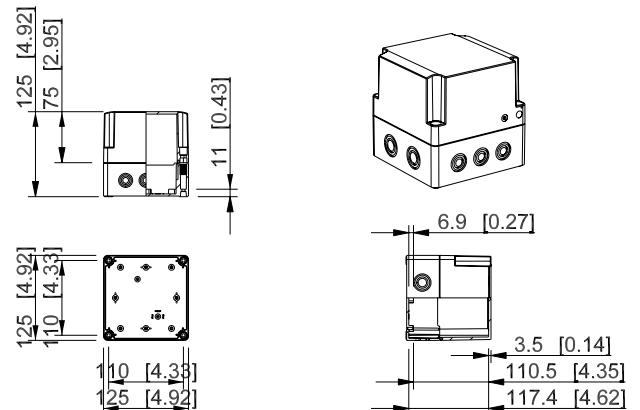
Grey cover	Transparent cover	Description
SPCP131310LG	SPCP131310LT	Plain sides, polycarbonate
SABP131310LG	SABP131310LT	Plain sides, ABS

Ensto Cubo S 125 x 125 x 100 mm



Grey cover	Transparent cover	Description
SPCP131310G	SPCP131310T	Plain sides, polycarbonate
SABP131310G	SABP131310T	Plain sides, ABS
SPCM131310G	SPCM131310T	4 x M16/25 + 6 x M12/20, PC
SPCK131310G	SPCK131310T	4 x Pg16/21 + 6 x Pg9/13,5, PC

Ensto Cubo S 125 x 125 x 125 mm

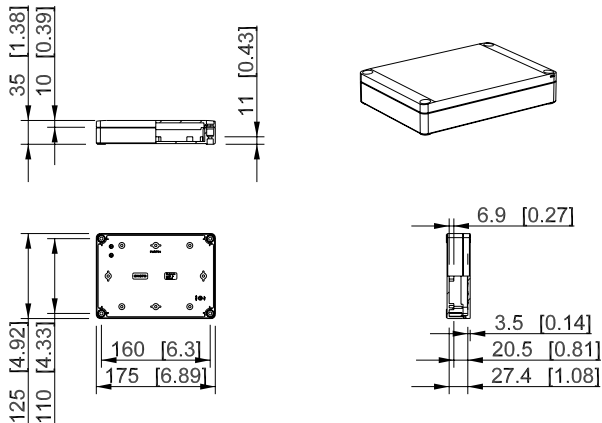


Grey cover	Transparent cover	Description
SPCP131313G	SPCP131313T	Plain sides, polycarbonate
SABP131313G	SABP131313T	Plain sides, ABS
SPCM131313G	SPCM131313T	4 x M16/25 + 6 x M12/20, PC
SPCK131313G	SPCK131313T	4 x Pg16/21 + 6 x Pg9/13,5, PC

Dimensional drawings, Ensto Cubo S

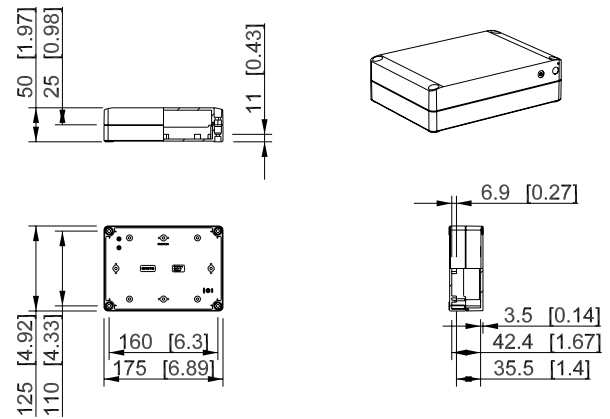
Dimensions in mm [inches]

Ensto Cubo S 125 x 175 x 35 mm



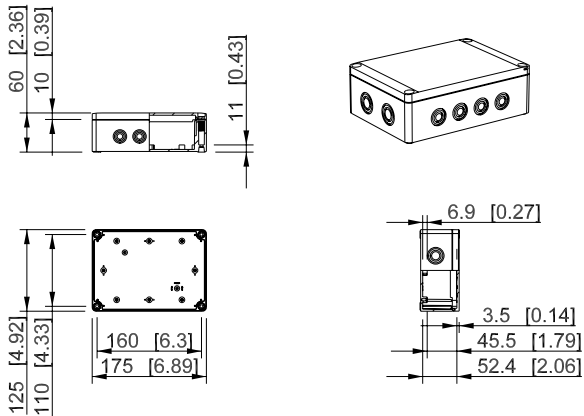
Grey cover	Transparent cover	Description
SPCP131804LG	SPCP131804LT	Plain sides, polycarbonate
SABP131804LG	SABP131804LT	Plain sides, ABS

Ensto Cubo S 125 x 175 x 50 mm



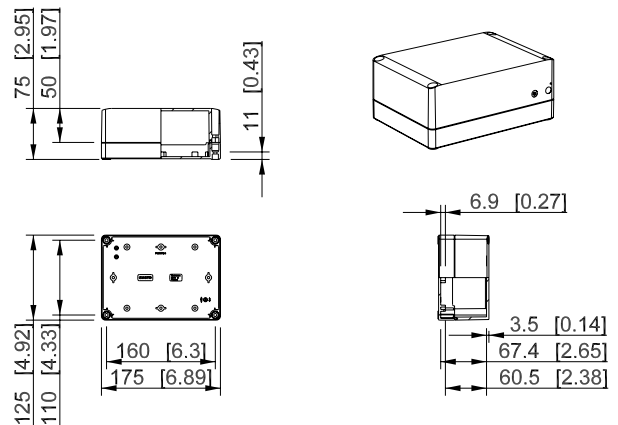
Grey cover	Transparent cover	Description
SPCP131805LG	SPCP131805LT	Plain sides, polycarbonate
SABP131805LG	SABP131805LT	Plain sides, ABS

Ensto Cubo S 125 x 175 x 60 mm



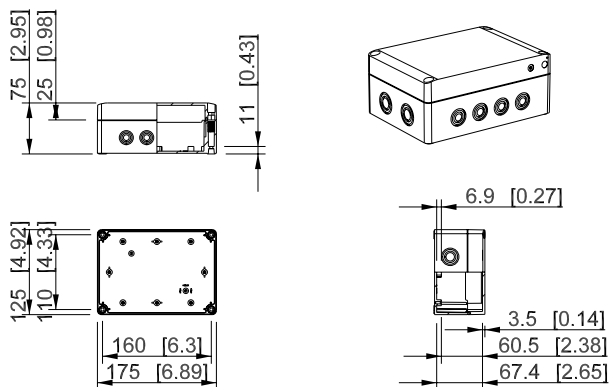
Grey cover	Transparent cover	Description
SPCP131806G	SPCP131806T	Plain sides, polycarbonate
SABP131806G	SABP131806T	Plain sides, ABS
SPCM131806G	SPCM131806T	4 x M16/25 + 8 x M12/20, PC
SPCK131806G	SPCK131806T	4 x Pg16/21 + 8 x Pg9/13,5, PC

Ensto Cubo S 125 x 175 x 75 mm



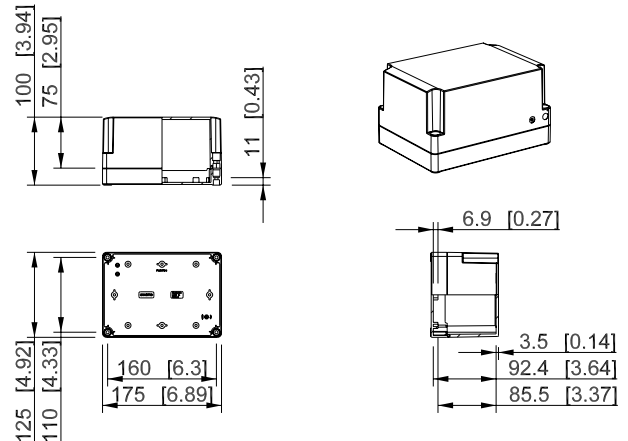
Grey cover	Transparent cover	Description
SPCP131808LG	SPCP131808LT	Plain sides, polycarbonate
SABP131808LG	SABP131808LT	Plain sides, ABS

Ensto Cubo S 125 x 175 x 75 mm



Grey cover	Transparent cover	Description
SPCP131808G	SPCP131808T	Plain sides, polycarbonate
SABP131808G	SABP131808T	Plain sides, ABS
SPCM131808G	SPCM131808T	4 x M16/25 + 8 x M12/20, PC
SPCK131808G	SPCK131808T	4 x Pg16/21 + 8 x Pg9/13,5, PC

Ensto Cubo S 125 x 175 x 100 mm

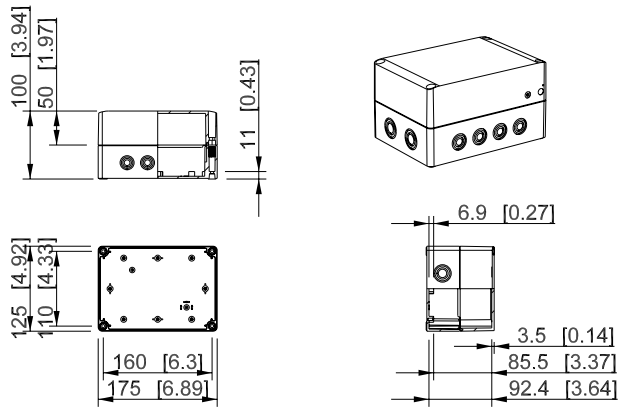


Grey cover	Transparent cover	Description
SPCP131810LG	SPCP131810LT	Plain sides, polycarbonate
SABP131810LG	SABP131810LT	Plain sides, ABS

Dimensional drawings, Ensto Cubo S

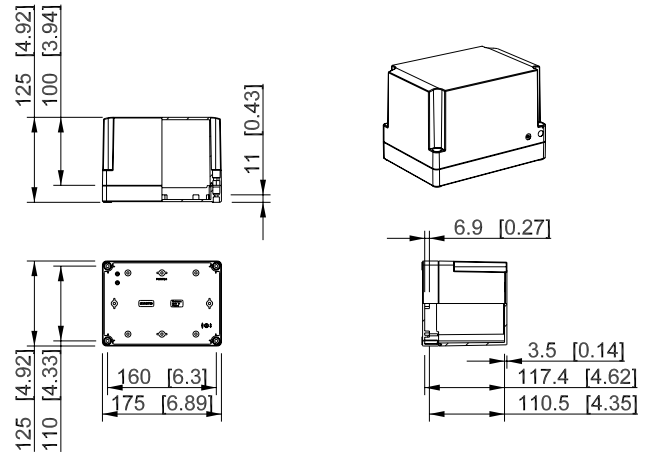
Dimensions in mm [inches]

Ensto Cubo S 125 x 175 x 100 mm



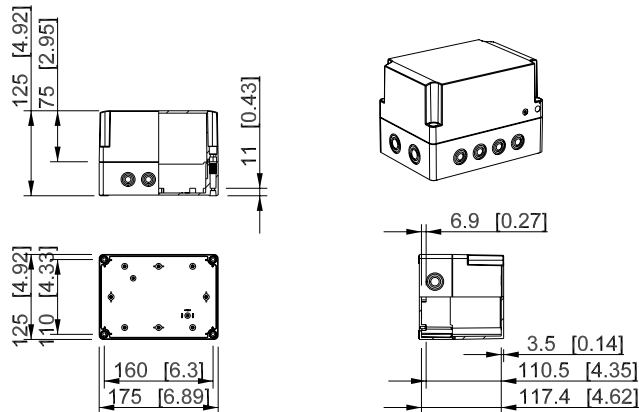
Grey cover	Transparent cover	Description
SPCP131810G	SPCP131810T	Plain sides, polycarbonate
SABP131810G	SABP131810T	Plain sides, ABS
SPCM131810G	SPCM131810T	4 x M16/25 + 8 x M12/20, PC
SPCK131810G	SPCK131810T	4 x Pg16/21 + 8 x Pg9/13,5, PC

Ensto Cubo S 125 x 175 x 125 mm



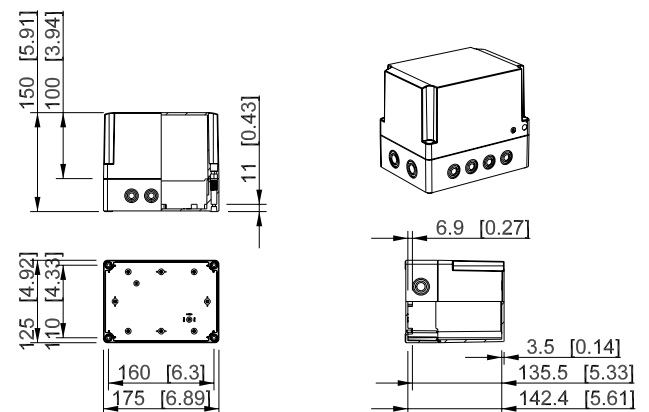
Grey cover	Transparent cover	Description
SPCP131813LG	SPCP131813LT	Plain sides, polycarbonate
SABP131813LG	SABP131813LT	Plain sides, ABS

Ensto Cubo S 125 x 175 x 125 mm



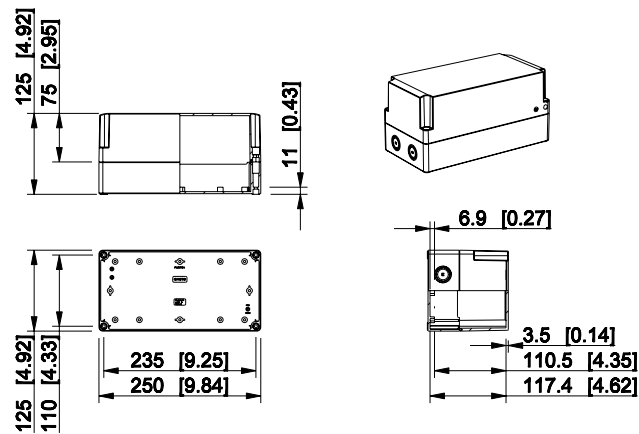
Grey cover	Transparent cover	Description
SPCP131813G	SPCP131813T	Plain sides, polycarbonate
SABP131813G	SABP131813T	Plain sides, ABS
SPCM131813G	SPCM131813T	4 x M16/25 + 8 x M12/20, PC
SPCK131813G	SPCK131813T	4 x Pg16/21 + 8 x Pg9/13,5, PC

Ensto Cubo S 125 x 175 x 150 mm



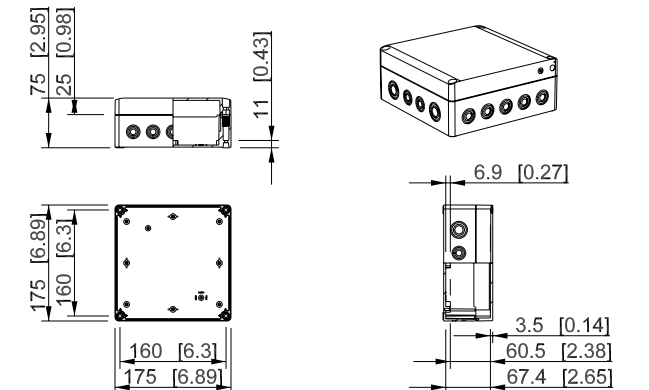
Grey cover	Transparent cover	Description
SPCP131815G	SPCP131815T	Plain sides, polycarbonate
SABP131815G	SABP131815T	Plain sides, ABS
SPCM131815G	SPCM131815T	4 x M16/25 + 8 x M12/20, PC
SPCK131815G	SPCK131815T	4 x Pg16/21 + 8 x Pg9/13,5, PC

Ensto Cubo S 125 x 250 x 125 mm



Grey cover	Transparent cover	Description
SPCP132513G	SPCP132513T	Plain sides, polycarbonate
SABP132513G	SABP132513T	Plain sides, ABS
SPCM132513G	SPCM132513T	4 x M20/25, PC

Ensto Cubo S 175 x 175 x 75 mm

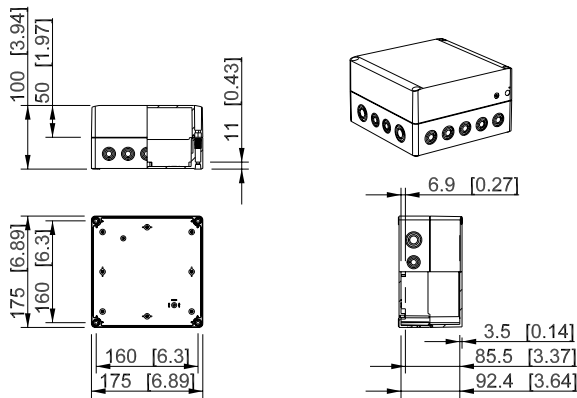


Grey cover	Transparent cover	Description
SPCP181808G	SPCP181808T	Plain sides, polycarbonate
SABP181808G	SABP181808T	Plain sides, ABS
SPCM181808G	SPCM181808T	4 x M12/20 + 4 x M16/25 + 10 x M12/20, PC
SPCK181808G	SPCK181808T	4 x Pg16/21 + 4 x Pg9/16 + 10 x Pg9/13,5, PC

Dimensional drawings, Ensto Cubo S

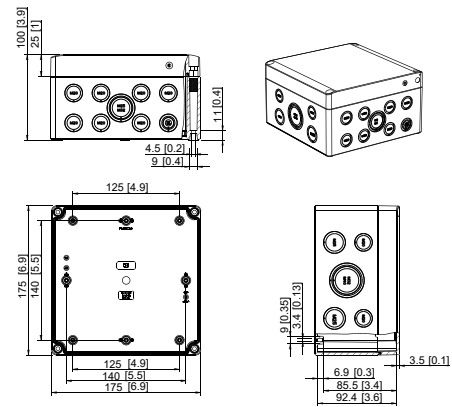
Dimensions in mm [inches]

Ensto Cubo S 175 x 175 x 100 mm



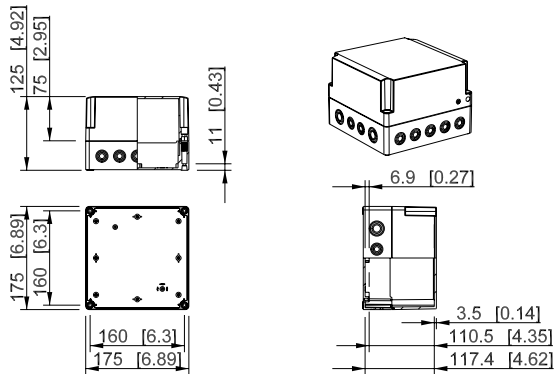
Grey cover	Transparent cover	Description
SPCP181810G	SPCP181810T	Plain sides, polycarbonate
SABP181810G	SABP181810T	Plain sides, ABS
SPCM181810G	SPCM181810T	4 x M12/20 + 4 x M16/25 + 10 x M12/20, PC
SPCK181810G	SPCK181810T	4 x Pg16/21 + 4 x Pg9/16 + 10 x Pg9/13,5, PC

Ensto Cubo S 175 x 175 x 100 mm



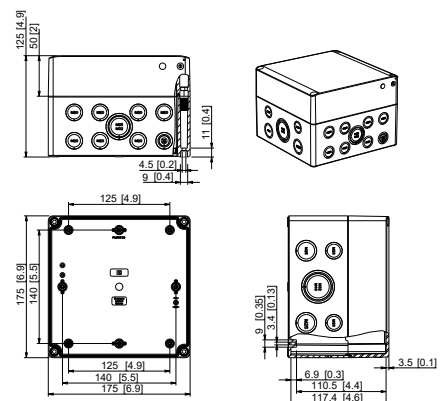
Grey cover	Transparent cover	Description
SPCP181810HG	SPCP181810HT	Plain sides, polycarbonate
SABP181810HG	SABP181810HT	Plain sides, ABS
SPCM181810HG	SPCM181810HT	2 x M12/M20 + 18 x M20 + 4 x M25 + 2 x M25/M32 + 2 x M32/M40

Ensto Cubo S 175 x 175 x 125 mm



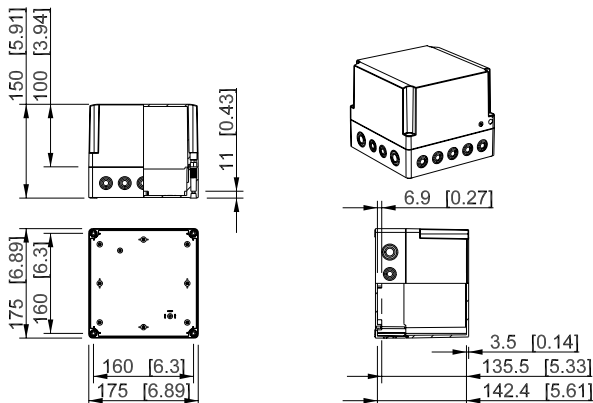
Grey cover	Transparent cover	Description
SPCP181813G	SPCP181813T	Plain sides, polycarbonate
SABP181813G	SABP181813T	Plain sides, ABS
SPCM181813G	SPCM181813T	4 x M12/20 + 4 x M16/25 + 10 x M12/20, PC
SPCK181813G	SPCK181813T	4 x Pg16/21 + 4 x Pg9/16 + 10 x Pg9/13,5, PC

Ensto Cubo S 175 x 175 x 125 mm



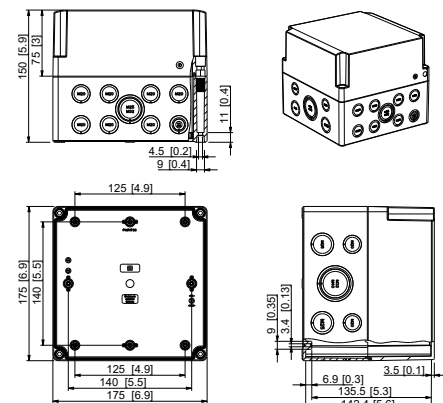
Grey cover	Transparent cover	Description
SPCP181813HG	SPCP181813HT	Plain sides, polycarbonate
SABP181813HG	SABP181813HT	Plain sides, ABS
SPCM181813HG	SPCM181813HT	2 x M12/M20 + 18 x M20 + 4 x M25 + 2 x M25/M32 + 2 x M32/M40

Ensto Cubo S 175 x 175 x 150 mm



Grey cover	Transparent cover	Description
SPCP181815G	SPCP181815T	Plain sides, polycarbonate
SABP181815G	SABP181815T	Plain sides, ABS
SPCM181815G	SPCM181815T	4 x M12/20 + 4 x M16/25 + 10 x M12/20, PC
SPCK181815G	SPCK181815T	4 x Pg16/21 + 4 x Pg9/16 + 10 x Pg9/13,5, PC

Ensto Cubo S 175 x 175 x 150 mm

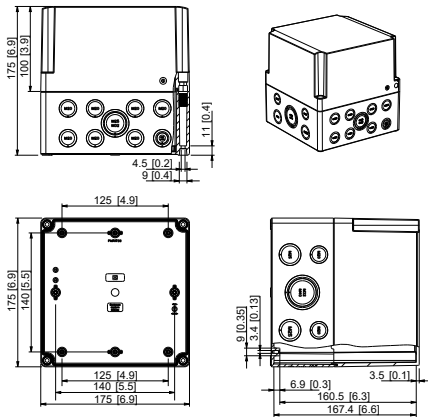


Grey cover	Transparent cover	Description
SPCP181815HG	SPCP181815HT	Plain sides, polycarbonate
SABP181815HG	SABP181815HT	Plain sides, ABS
SPCM181815HG	SPCM181815HT	2 x M12/M20 + 18 x M20 + 4 x M25 + 2 x M25/M32 + 2 x M32/M40

Dimensional drawings, Ensto Cubo S

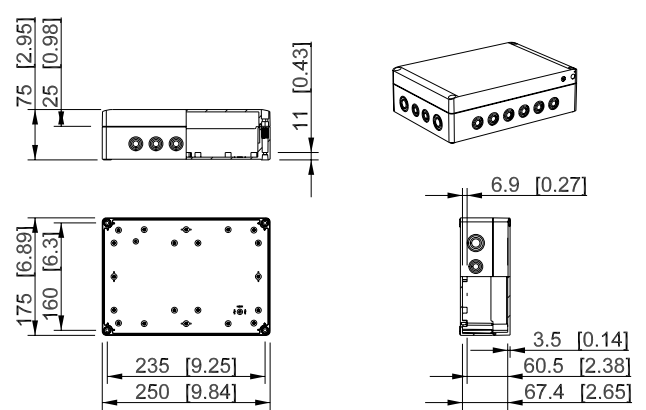
Dimensions in mm [inches]

Ensto Cubo S 175 x 175 x 175 mm



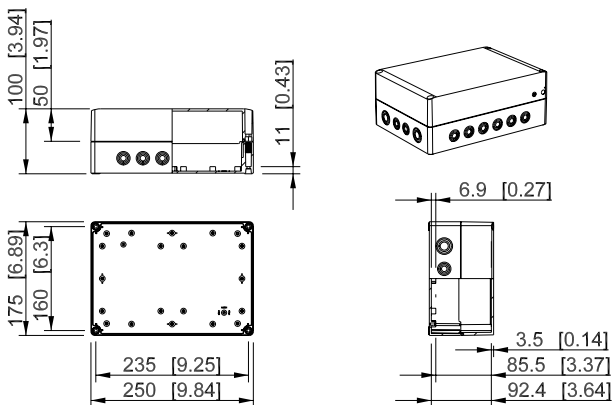
Grey cover	Transparent cover	Description
SPCP181818HG	SPCP181818HT	Plain sides, polycarbonate
SABP181818HG	SABP181818HT	Plain sides, ABS
SPCM181818HG	SPCM181818HT	2 x M12/M20 + 18 x M20 + 4 x M25 + 2 x M25/M32 + 2 x M32/M40

Ensto Cubo S 175 x 250 x 75 mm



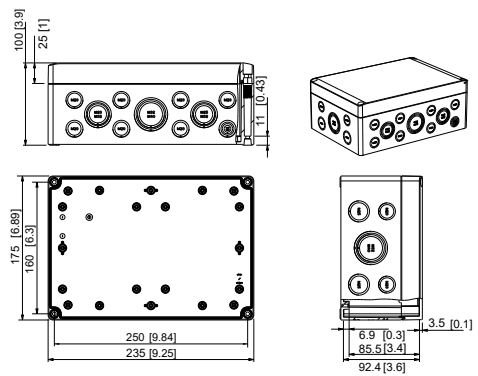
Grey cover	Transparent cover	Description
SPCP182508G	SPCP182508T	Plain sides, polycarbonate
SABP182508G	SABP182508T	Plain sides, ABS
SPCM182508G	SPCM182508T	4 x M12/20 + 4 x M16/25 + 12 x M12/20, PC
SPCK182508G	SPCK182508T	4 x Pg16/21 + 4 x Pg9/16 + 12 x Pg9/13,5, PC

Ensto Cubo S 175 x 250 x 100 mm



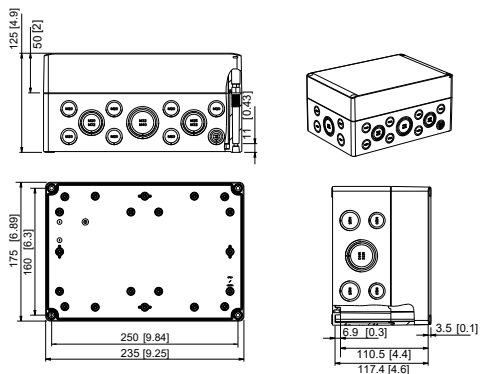
Grey cover	Transparent cover	Description
SPCP182510G	SPCP182510T	Plain sides, polycarbonate
SABP182510G	SABP182510T	Plain sides, ABS
SPCM182510G	SPCM182510T	4 x M12/20 + 4 x M16/25 + 12 x M12/20, PC
SPCK182510G	SPCK182510T	4 x Pg16/21 + 4 x Pg9/16 + 12 x Pg9/13,5, PC

Ensto Cubo S 175 x 250 x 100 mm



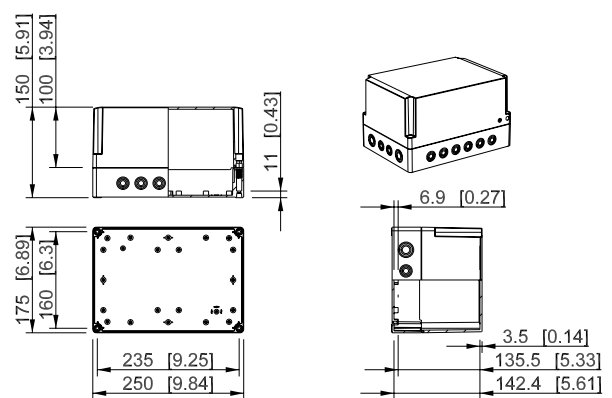
Grey cover	Transparent cover	Description
SPCP182510HG	SPCP182510HT	Plain sides, polycarbonate
SABP182510HG	SABP182510HT	Plain sides, ABS
SPCM182510HG	SPCM182510HT	2 x M12/M20 + 18 x M20 + 4 x M25 + 4 x M20/M32 + 4 x M32/M40
SPCK182510HG	SPCK182510HT	2 x M12/M20 + 18 x M20 + 4 x M25 + 4 x M20/M32 + 4 x M32/M40

Ensto Cubo S 175 x 250 x 125 mm



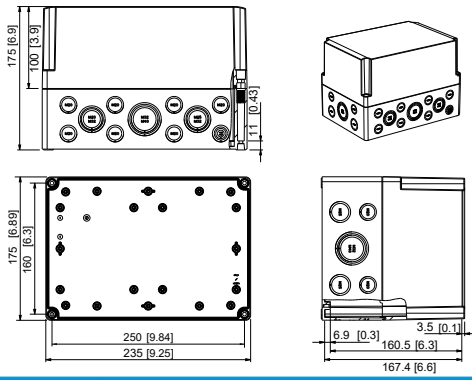
Grey cover	Transparent cover	Description
SPCP182513HG	SPCP182513HT	Plain sides, polycarbonate
SABP182513HG	SABP182513HT	Plain sides, ABS
SPCM182513HG	SPCM182513HT	2 x M12/M20 + 18 x M20 + 4 x M25 + 4 x M20/M32 + 4 x M32/M40
SPCK182513HG	SPCK182513HT	2 x M12/M20 + 18 x M20 + 4 x M25 + 4 x M20/M32 + 4 x M32/M40

Ensto Cubo S 175 x 250 x 150 mm



Grey cover	Transparent cover	Description
SPCP182515G	SPCP182515T	Plain sides, polycarbonate
SABP182515G	SABP182515T	Plain sides, ABS
SPCM182515G	SPCM182515T	4 x M12/20 + 4 x M16/25 + 12 x M12/20, PC
SPCK182515G	SPCK182515T	4 x Pg16/21 + 4 x Pg9/16 + 12 x Pg9/13,5, PC

Ensto Cubo S 175 x 250 x 175 mm

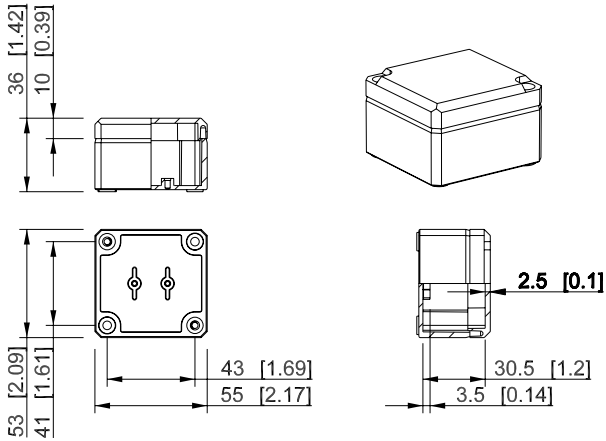


Grey cover	Transparent cover	Description
SPCP182518HG	SPCP182518HT	Plain sides, polycarbonate
SABP182518HG	SABP182518HT	Plain sides, ABS
SPCM182518HG	SPCM182518HT	2 x M12/M20 + 18 x M20 + 4 x M25 + 4 x M20/M32 + 4 x M32/M40
SPCK182518HG	SPCK182518HT	2 x M12/M20 + 18 x M20 + 4 x M25 + 4 x M20/M32 + 4 x M32/M40

Dimensional drawings, Ensto Cubo D

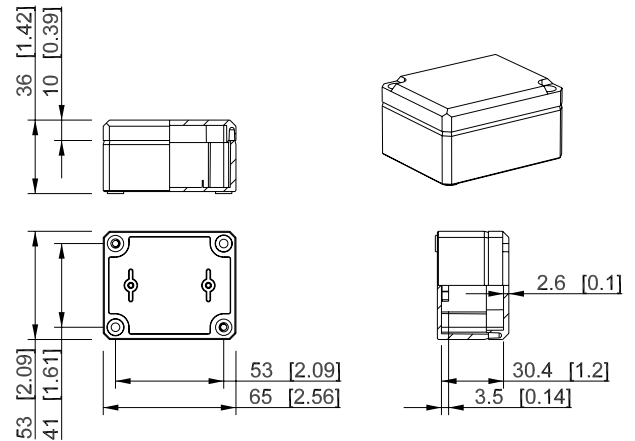
Dimensions in mm [inches]

Ensto Cubo D 53 x 55 x 36 mm



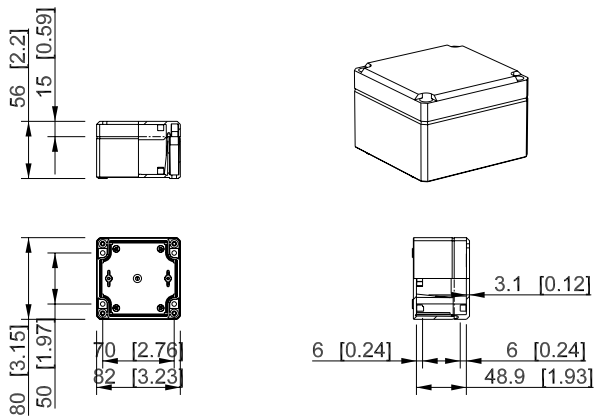
Grey cover	Transparent cover	Description
DPCP050504G	DPCP050504T	Plain sides, polycarbonate
DABP050504G	DABP050504T	Plain sides, ABS

Ensto Cubo D 53 x 65 x 36 mm



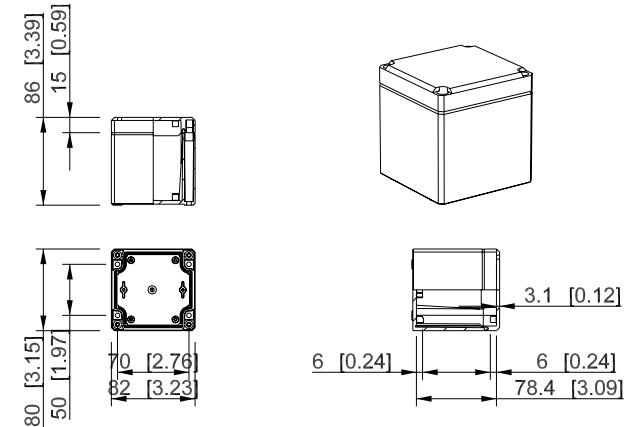
Grey cover	Transparent cover	Description
DPCP050704G	DPCP050704T	Plain sides, polycarbonate
DABP050704G	DABP050704T	Plain sides, ABS

Ensto Cubo D 80 x 82 x 56 mm



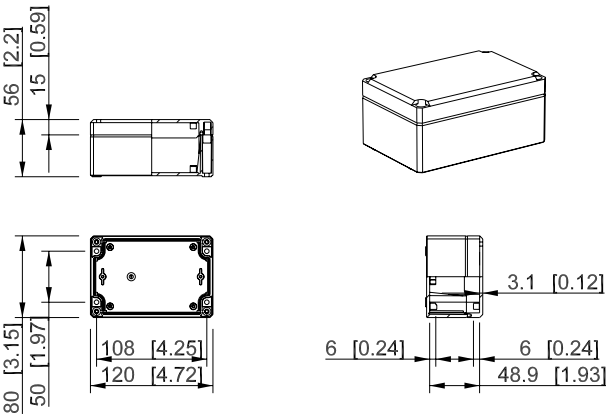
Grey cover	Transparent cover	Description
DPCP080806G	DPCP080806T	Plain sides, polycarbonate
DABP080806G	DABP080806T	Plain sides, ABS

Ensto Cubo D 80 x 82 x 86 mm



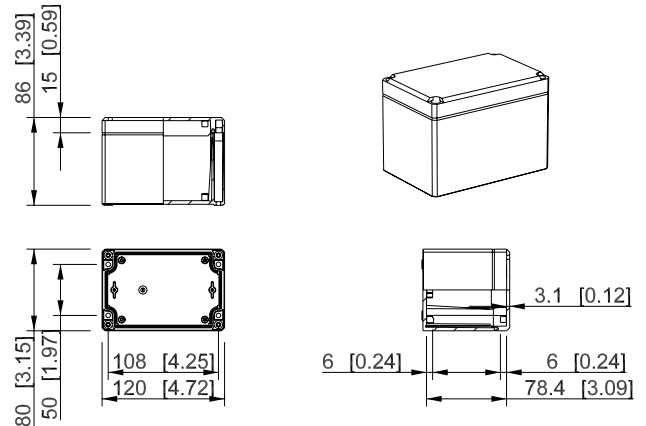
Grey cover	Transparent cover	Description
DPCP080809G	DPCP080809T	Plain sides, polycarbonate
DABP080809G	DABP080809T	Plain sides, ABS

Ensto Cubo D 80 x 120 x 56 mm



Grey cover	Transparent cover	Description
DPCP081206G	DPCP081206T	Plain sides, polycarbonate
DABP081206G	DABP081206T	Plain sides, ABS

Ensto Cubo D 80 x 120 x 86 mm

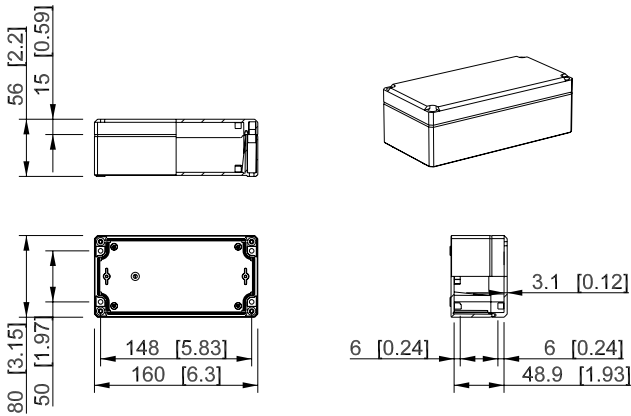


Grey cover	Transparent cover	Description
DPCP081209G	DPCP081209T	Plain sides, polycarbonate
DABP081209G	DABP081209T	Plain sides, ABS

Dimensional drawings, Ensto Cubo D

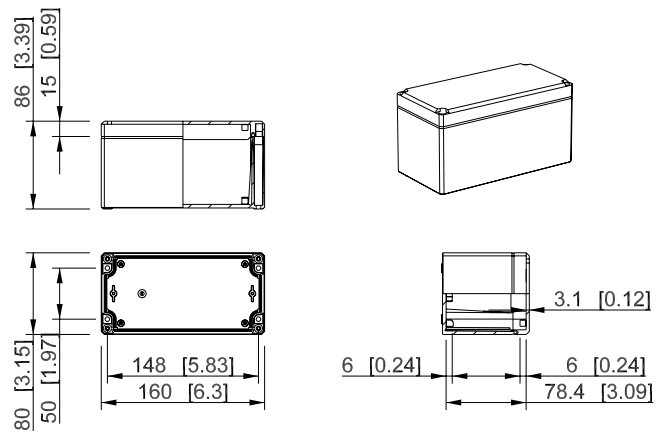
Dimensions in mm [inches]

Ensto Cubo D 80 x 160 x 56 mm



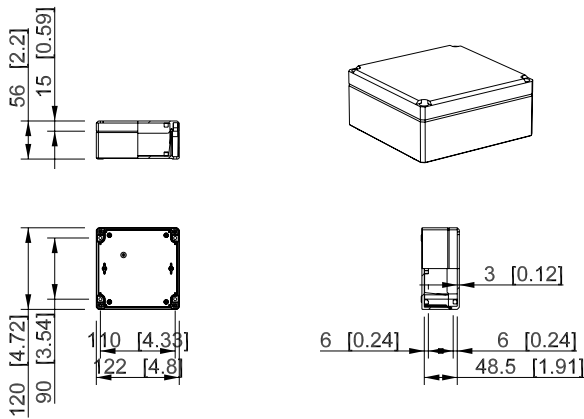
Grey cover	Transparent cover	Description
DPCP081606G	DPCP081606T	Plain sides, polycarbonate
DABP081606G	DABP081606T	Plain sides, ABS

Ensto Cubo D 80 x 160 x 86 mm



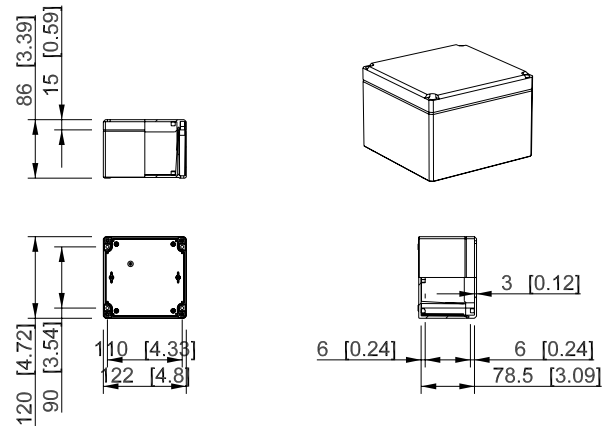
Grey cover	Transparent cover	Description
DPCP081609G	DPCP081609T	Plain sides, polycarbonate
DABP081609G	DABP081609T	Plain sides, ABS

Ensto Cubo D 120 x 122 x 56 mm



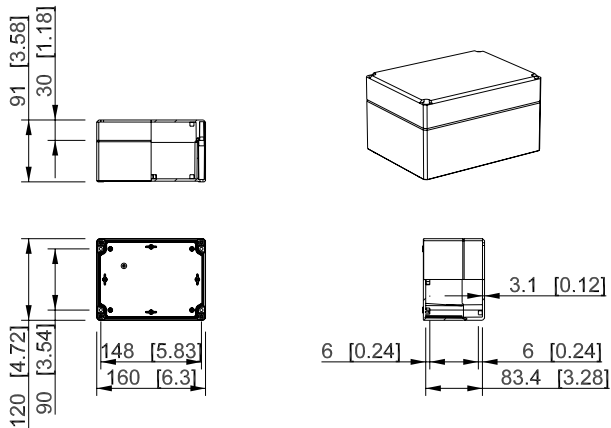
Grey cover	Transparent cover	Description
DPCP121206G	DPCP121206T	Plain sides, polycarbonate
DABP121206G	DABP121206T	Plain sides, ABS

Ensto Cubo D 120 x 122 x 86 mm



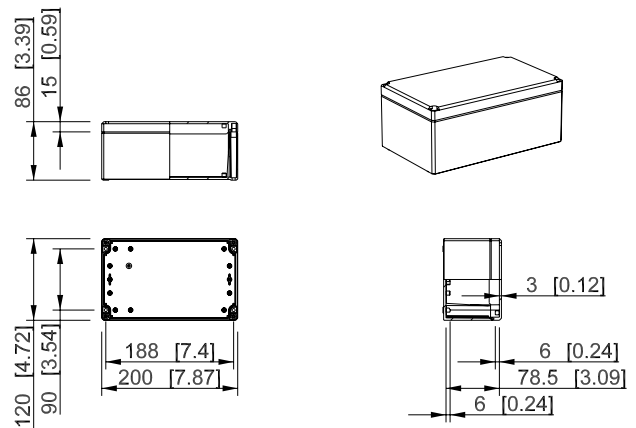
Grey cover	Transparent cover	Description
DPCP121209G	DPCP121209T	Plain sides, polycarbonate
DABP121209G	DABP121209T	Plain sides, ABS

Ensto Cubo D 120 x 160 x 91 mm



Grey cover	Transparent cover	Description
DPCP121609G	DPCP121609T	Plain sides, polycarbonate
DABP121609G	DABP121609T	Plain sides, ABS

Ensto Cubo D 120 x 200 x 86 mm

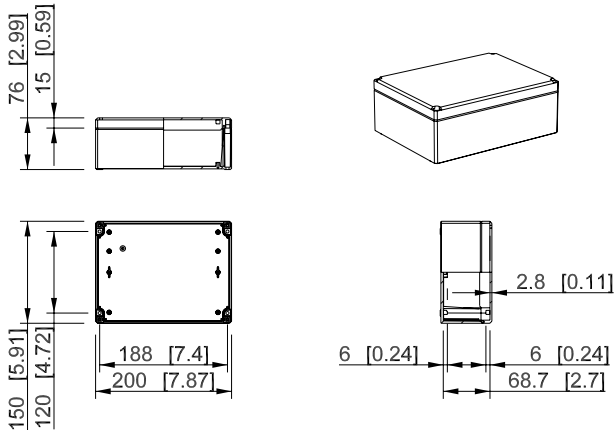


Grey cover	Transparent cover	Description
DPCP122009G	DPCP122009T	Plain sides, polycarbonate
DABP122009G	DABP122009T	Plain sides, ABS

Dimensional drawings, Ensto Cubo D

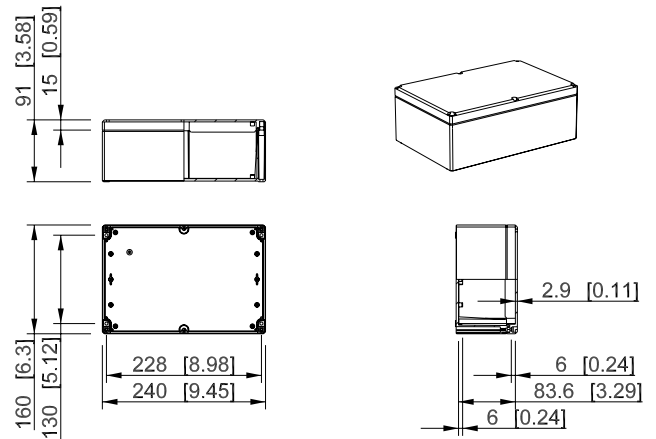
Dimensions in mm [inches]

Ensto Cubo D 150 x 200 x 76 mm



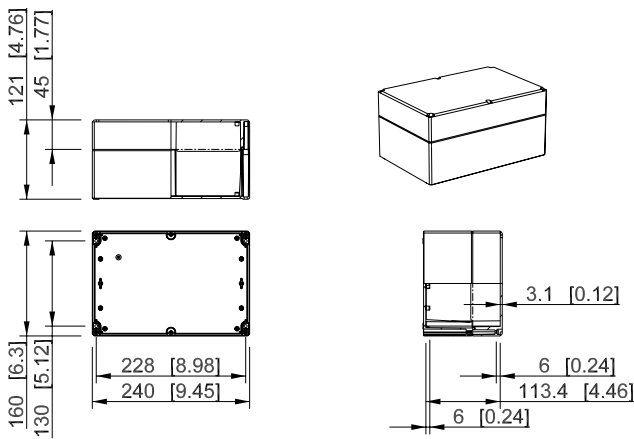
Grey cover	Transparent cover	Description
DPCP152008G	DPCP152008T	Plain sides, polycarbonate
DABP152008G	DABP152008T	Plain sides, ABS

Ensto Cubo D 160 x 240 x 91 mm



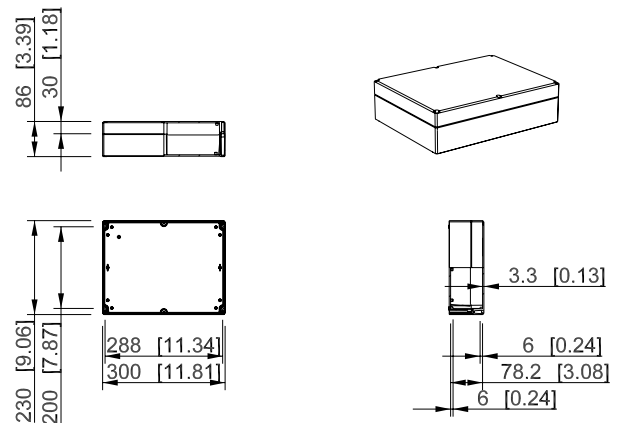
Grey cover	Transparent cover	Description
DPCP162409G	DPCP162409T	Plain sides, polycarbonate
DABP162409G	DABP162409T	Plain sides, ABS

Ensto Cubo D 160 x 240 x 121 mm



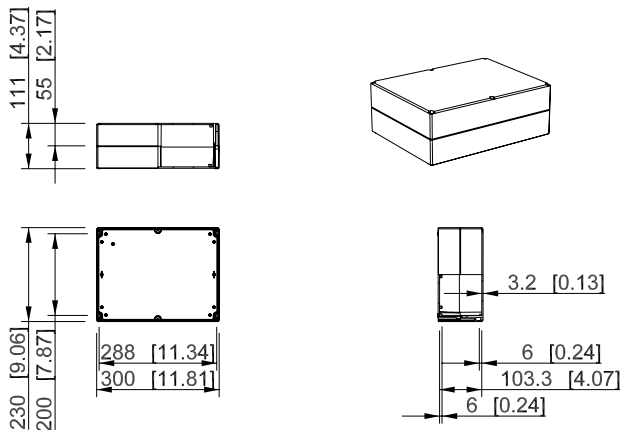
Grey cover	Transparent cover	Description
DPCP162412G	DPCP162412T	Plain sides, polycarbonate
DABP162412G	DABP162412T	Plain sides, ABS

Ensto Cubo D 230 x 300 x 86 mm



Grey cover	Transparent cover	Description
DPCP233009G	DPCP233009T	Plain sides, polycarbonate
DABP233009G	DABP233009T	Plain sides, ABS

Ensto Cubo D 230 x 300 x 111 mm

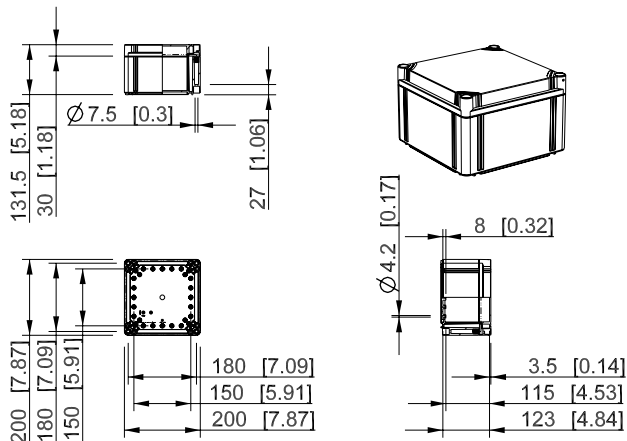


Grey cover	Transparent cover	Description
DPCP233011G	DPCP233011T	Plain sides, polycarbonate
DABP233011G	DABP233011T	Plain sides, ABS

Dimensional drawings, Ensto Cubo O

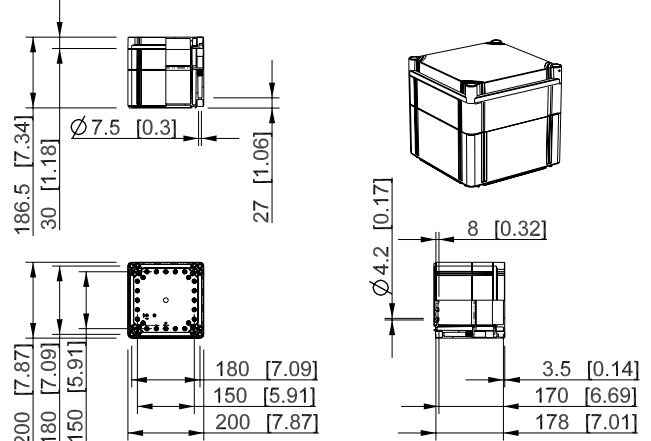
Dimensions in mm [inches]

Ensto Cubo O 200 x 200 x 132 mm



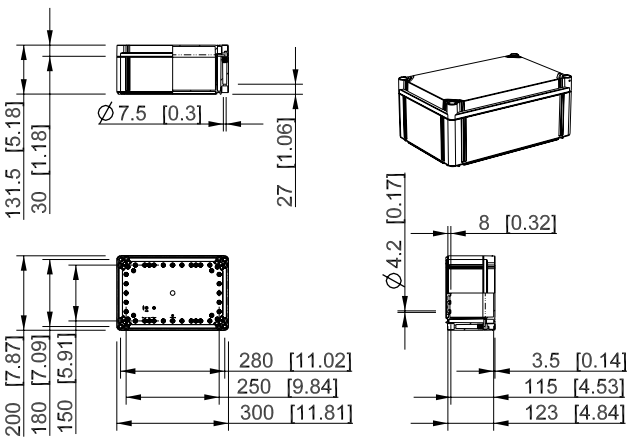
Grey cover	Transparent cover	Description
OPCP202013G	OPCP202013T	Plain sides, polycarbonate
OABP202013G	OABP202013T	Plain sides, ABS

Ensto Cubo O 200 x 200 x 187 mm



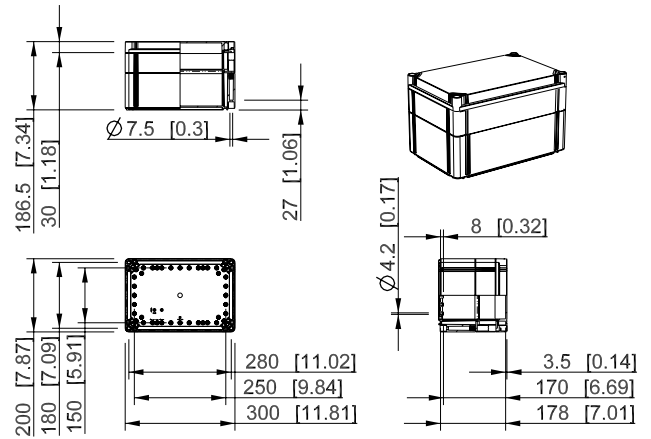
Grey cover	Transparent cover	Description
OPCP202018G	OPCP202018T	Plain sides, polycarbonate
OABP202018G	OABP202018T	Plain sides, ABS

Ensto Cubo O 200 x 300 x 132 mm



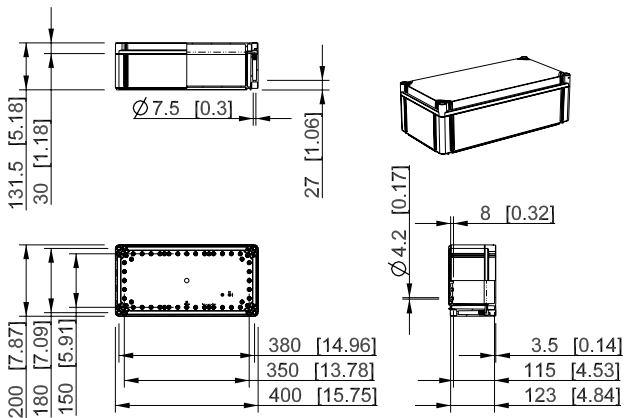
Grey cover	Transparent cover	Description
OPCP203013G	OPCP203013T	Plain sides, polycarbonate
OABP203013G	OABP203013T	Plain sides, ABS

Ensto Cubo O 200 x 300 x 187 mm



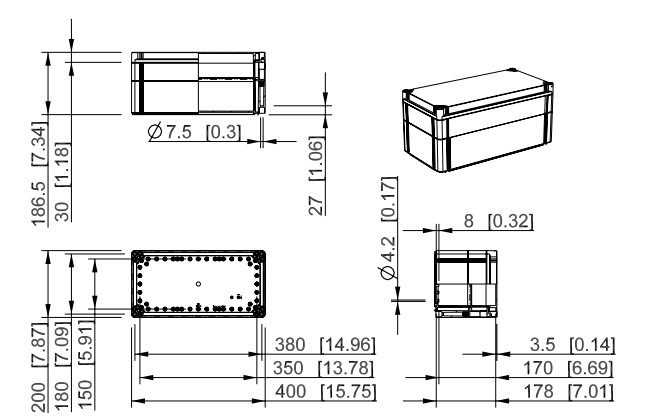
Grey cover	Transparent cover	Description
OPCP203018G	OPCP203018T	Plain sides, polycarbonate
OABP203018G	OABP203018T	Plain sides, ABS

Ensto Cubo O 200 x 400 x 132 mm



Grey cover	Transparent cover	Description
OPCP204013G	OPCP204013T	Plain sides, polycarbonate
OABP204013G	OABP204013T	Plain sides, ABS

Ensto Cubo O 200 x 400 x 187 mm

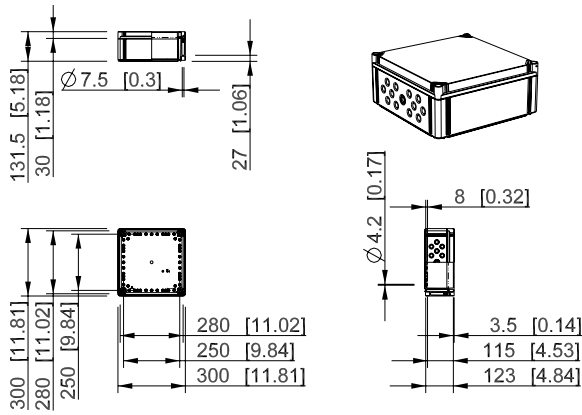


Grey cover	Transparent cover	Description
OPCP204018G	OPCP204018T	Plain sides, polycarbonate
OABP204018G	OABP204018T	Plain sides, ABS

Dimensional drawings, Ensto Cubo O

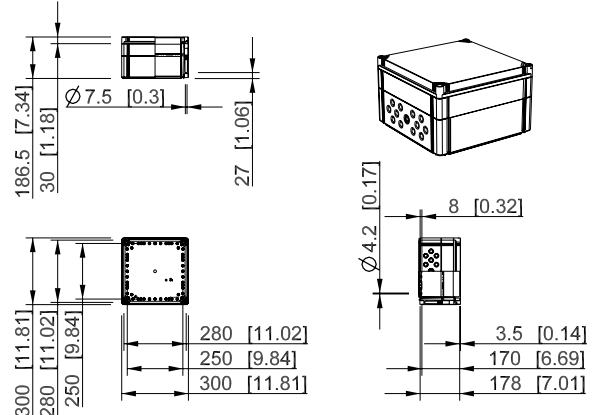
Dimensions in mm [inches]

Ensto Cubo O 300 x 300 x 132 mm



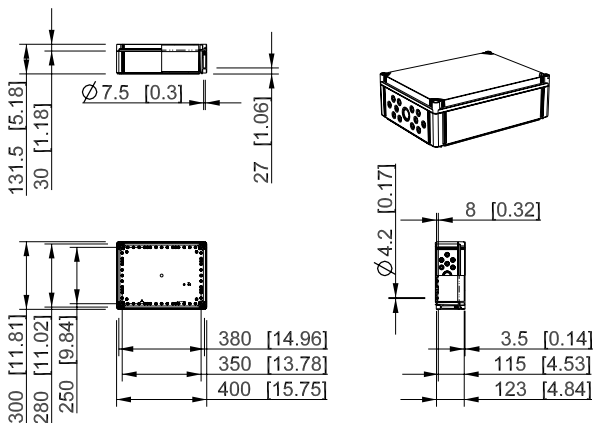
Grey cover	Transparent cover	Description
OPCP303013G	OPCP303013T	Plain sides, polycarbonate
OABP303013G	OABP303013T	Plain sides, ABS
OPCM303013G	OPCM303013T	12 x M20 + 1 x M16/25 + 8 x M20 + 4 x M25/40, PC

Ensto Cubo O 300 x 300 x 187 mm



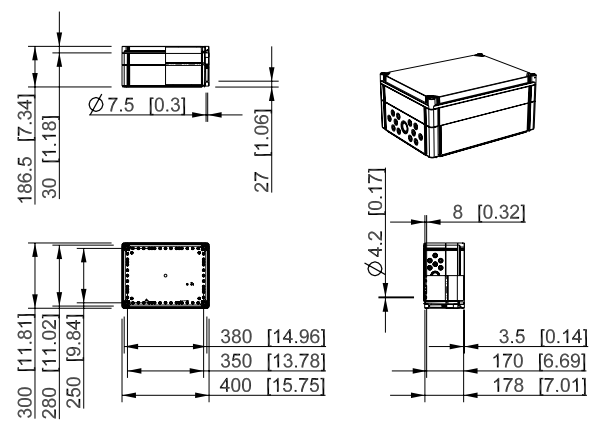
Grey cover	Transparent cover	Description
OPCP303018G	OPCP303018T	Plain sides, polycarbonate
OABP303018G	OABP303018T	Plain sides, ABS
OPCM303018G	OPCM303018T	12 x M20 + 1 x M16/25 + 8 x M20 + 4 x M25/40, PC

Ensto Cubo O 300 x 400 x 132 mm



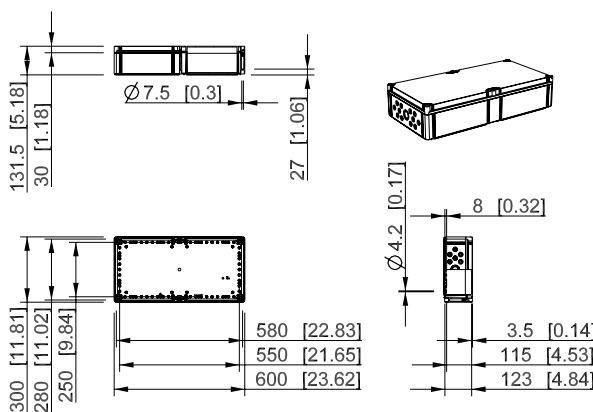
Grey cover	Transparent cover	Description
OPCP304013G	OPCP304013T	Plain sides, polycarbonate
OABP304013G	OABP304013T	Plain sides, ABS
OPCM304013G	OPCM304013T	8 x M12/20 + 5 x M16/25 + 12 x M12/20 + 1 x M32/40, PC

Ensto Cubo O 300 x 400 x 187 mm



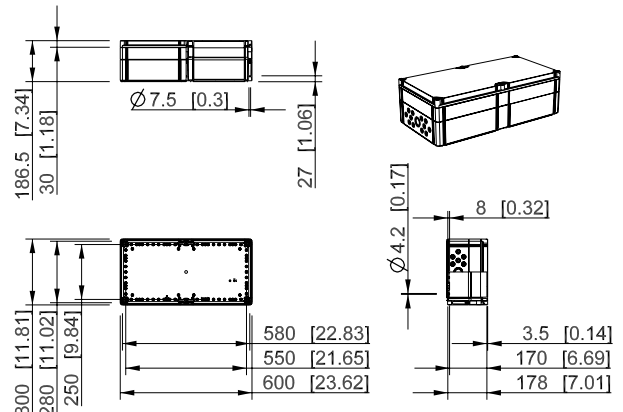
Grey cover	Transparent cover	Description
OPCP304018G	OPCP304018T	Plain sides, polycarbonate
OABP304018G	OABP304018T	Plain sides, ABS
OPCM304018G	OPCM304018T	8 x M12/20 + 5 x M16/25 + 12 x M12/20 + 1 x M32/40, PC

Ensto Cubo O 300 x 600 x 132 mm



Grey cover	Transparent cover	Description
OPCP306013G	OPCP306013T	Plain sides, polycarbonate
OABP306013G	OABP306013T	Plain sides, ABS
OPCM306013G	OPCM306013T	8 x M12/20 + 5 x M16/25 + 12 x M12/20 + 1 x M32/40, PC

Ensto Cubo O 300 x 600 x 187 mm

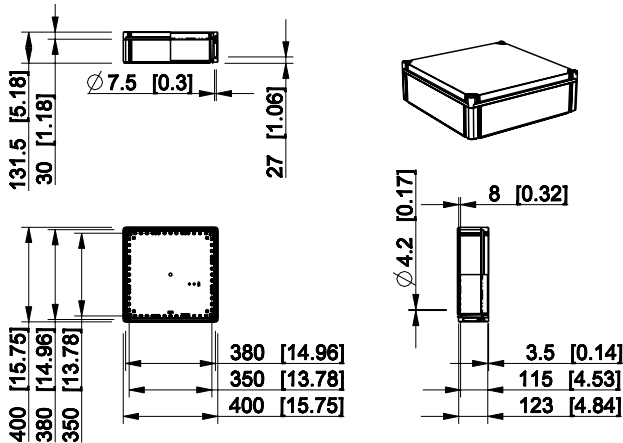


Grey cover	Transparent cover	Description
OPCP306018G	OPCP306018T	Plain sides, polycarbonate
OABP306018G	OABP306018T	Plain sides, ABS
OPCM306018G	OPCM306018T	8 x M12/20 + 5 x M16/25 + 12 x M12/20 + 1 x M32/40, PC

Dimensional drawings, Ensto Cubo O and C

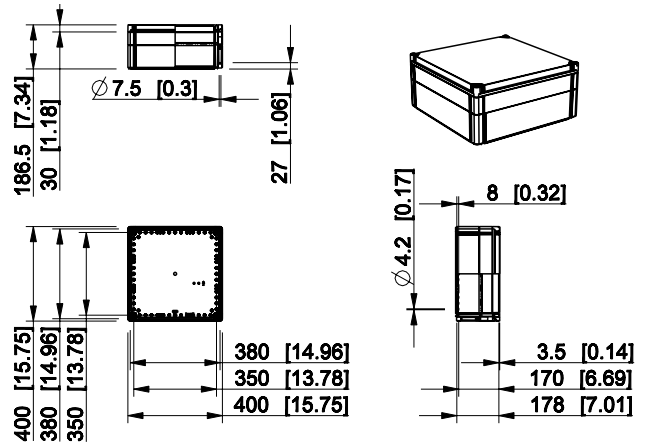
Dimensions in mm [inches]

Ensto Cubo O 400 x 400 x 132 mm



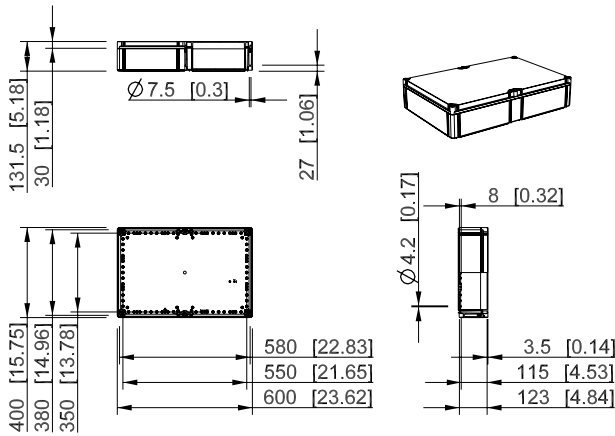
Grey cover	Transparent cover	Description
OPCP404013G	OPCP404013T	Plain sides, polycarbonate
OABP404013G	OABP404013T	Plain sides, ABS

Ensto Cubo O 400 x 400 x 187 mm



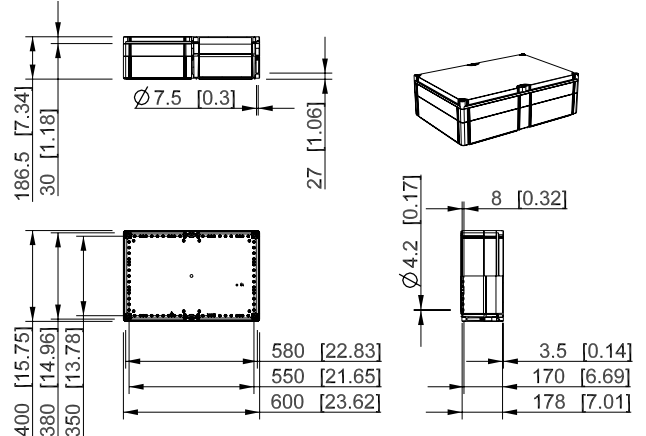
Grey cover	Transparent cover	Description
OPCP404018G	OPCP404018T	Plain sides, polycarbonate
OABP404018G	OABP404018T	Plain sides, ABS

Ensto Cubo O 400 x 600 x 132 mm



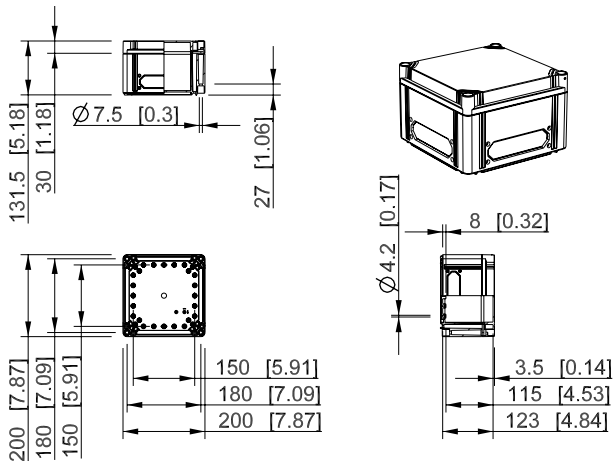
Grey cover	Transparent cover	Description
OPCP406013G	OPCP406013T	Plain sides, polycarbonate
OABP406013G	OABP406013T	Plain sides, ABS

Ensto Cubo O 400 x 600 x 187 mm



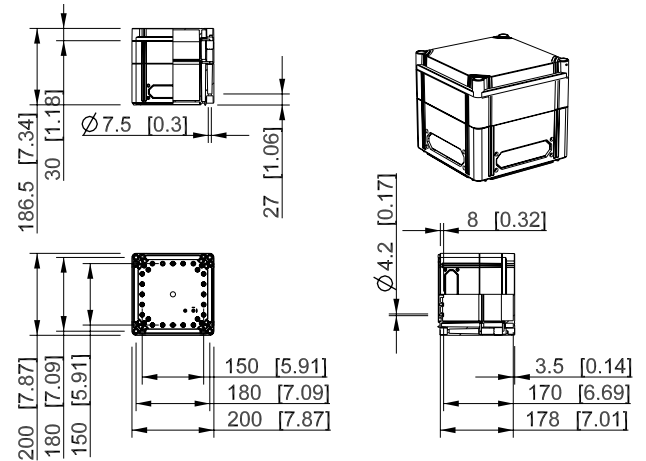
Grey cover	Transparent cover	Description
OPCP406018G	OPCP406018T	Plain sides, polycarbonate
OABP406018G	OABP406018T	Plain sides, ABS

Ensto Cubo C 200 x 200 x 132 mm



Grey cover	Transparent cover	Description
CPCF202013G	CPCF202013T	4 x F1 knockout, PC

Ensto Cubo C 200 x 200 x 187 mm

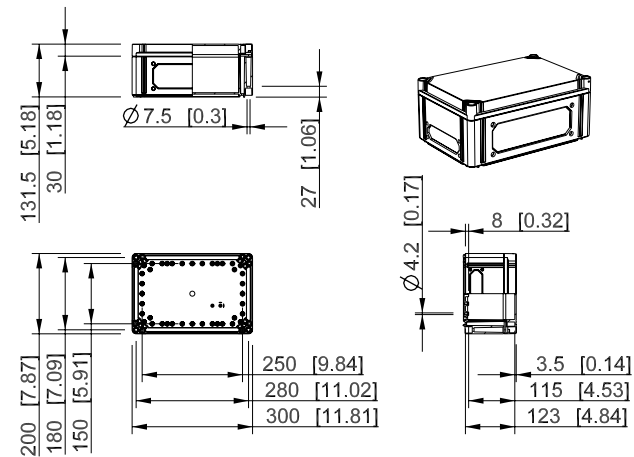


Grey cover	Transparent cover	Description
CPCF202018G	CPCF202018T	4 x F1 knockout, PC

Dimensional drawings, Ensto Cubo C

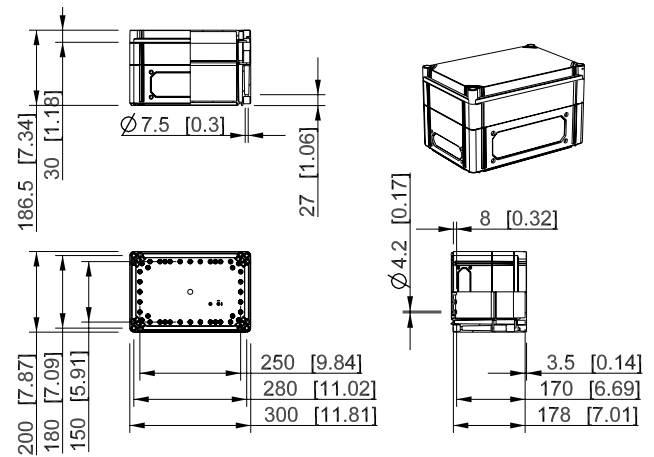
Dimensions in mm [inches]

Ensto Cubo C 200 x 300 x 132 mm



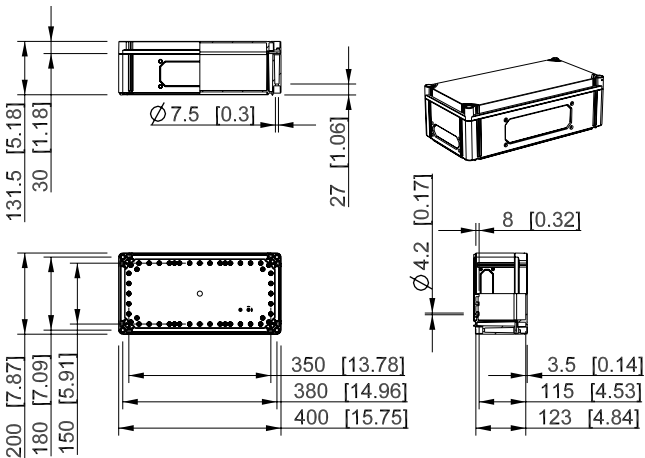
Grey cover	Transparent cover	Description
CPCF203013G	CPCF203013T	2 x F1 knockout + 2 x F2 knockout, PC

Ensto Cubo C 200 x 300 x 187 mm



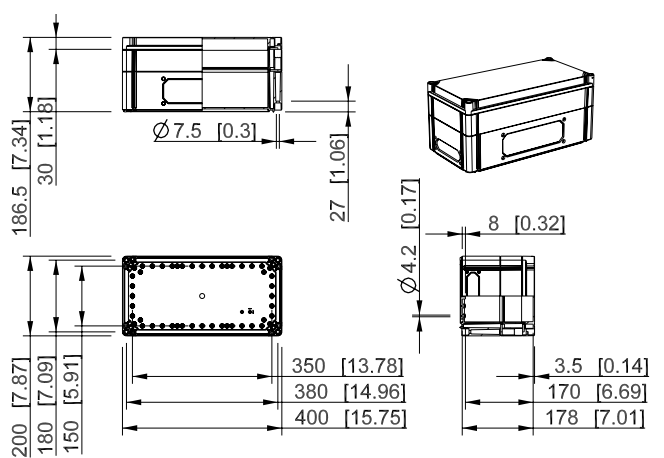
Grey cover	Transparent cover	Description
CPCF203018G	CPCF203018T	2 x F1 knockout + 2 x F2 knockout, PC

Ensto Cubo C 200 x 400 x 132 mm



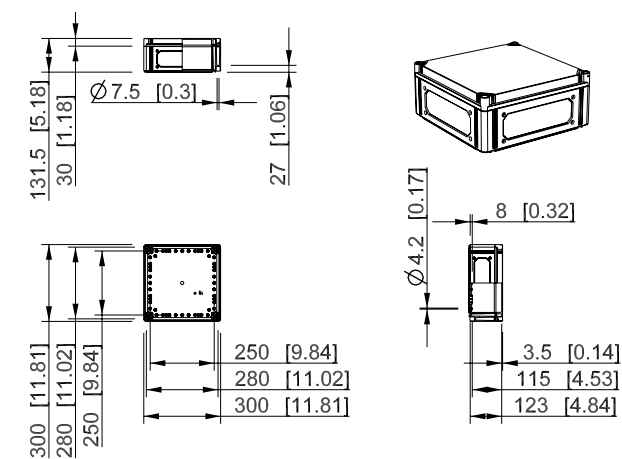
Grey cover	Transparent cover	Description
CPCF204013G	CPCF204013T	2 x F1 knockout + 2 x F2 knockout, PC

Ensto Cubo C 200 x 400 x 187 mm



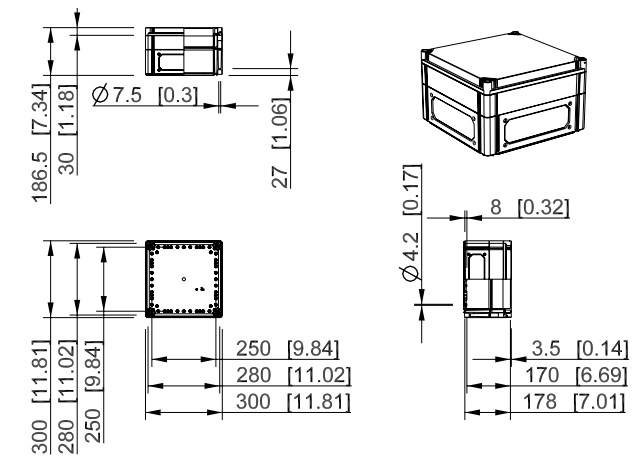
Grey cover	Transparent cover	Description
CPCF204018G	CPCF204018T	2 x F1 knockout + 2 x F2 knockout, PC

Ensto Cubo C 300 x 300 x 132 mm



Grey cover	Transparent cover	Description
CPCF303013G	CPCF303013T	4 x F2 knockout, PC

Ensto Cubo C 300 x 300 x 187 mm

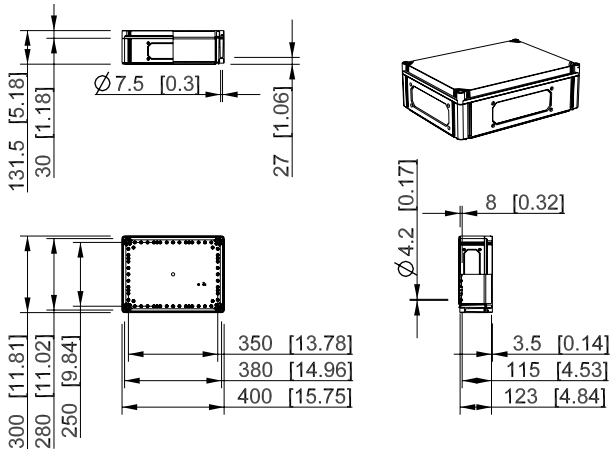


Grey cover	Transparent cover	Description
CPCF303018G	CPCF303018T	4 x F2 knockout, PC

Dimensional drawings, Ensto Cubo C

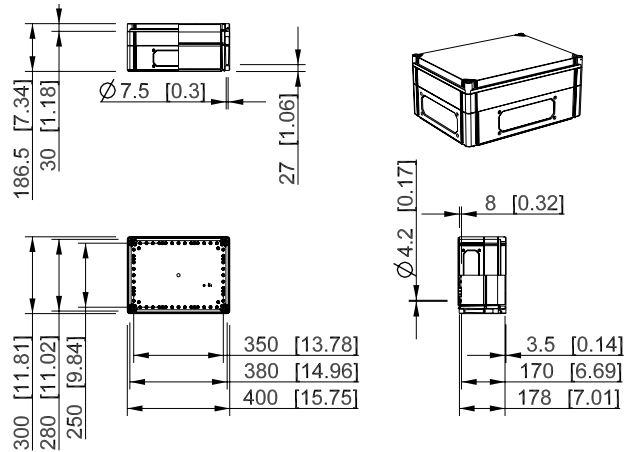
Dimensions in mm [inches]

Ensto Cubo C 300 x 400 x 132 mm



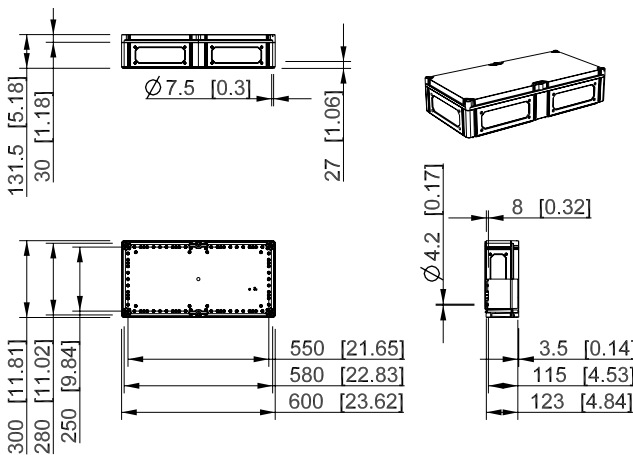
Grey cover	Transparent cover	Description
CPCF304013G	CPCF304013T	4 x F2 knockout, PC

Ensto Cubo C 300 x 400 x 187 mm



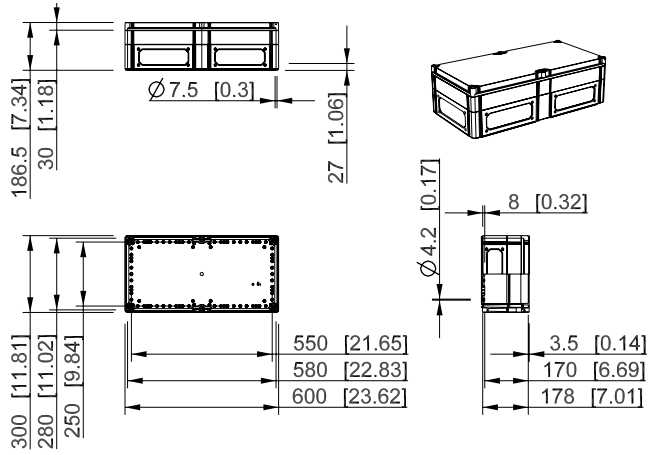
Grey cover	Transparent cover	Description
CPCF304018G	CPCF304018T	4 x F2 knockout, PC

Ensto Cubo C 300 x 600 x 132 mm



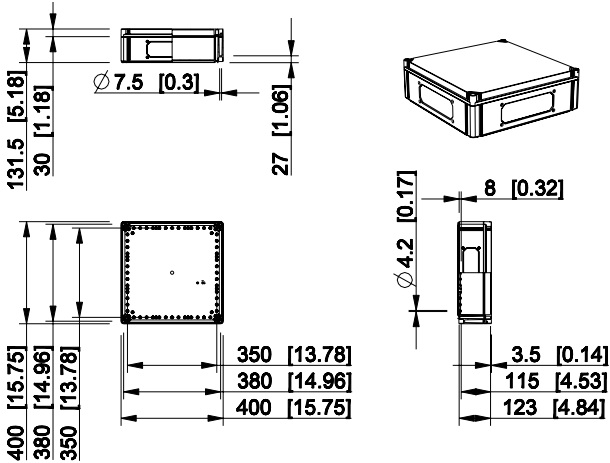
Grey cover	Transparent cover	Description
CPCF306013G	CPCF306013T	6 x F2 knockout, PC

Ensto Cubo C 300 x 600 x 187 mm



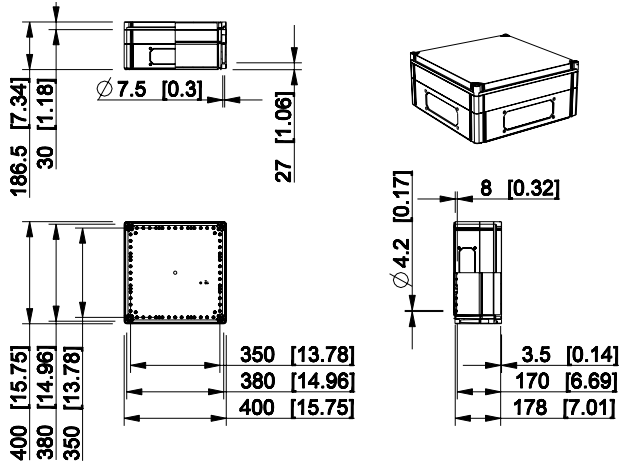
Grey cover	Transparent cover	Description
CPCF306018G	CPCF306018T	6 x F2 knockout, PC

Ensto Cubo C 400 x 400 x 132 mm



Grey cover	Transparent cover	Description
CPCF404013G	CPCF404013T	6 x F2 knockout, PC

Ensto Cubo C 400 x 400 x 187 mm



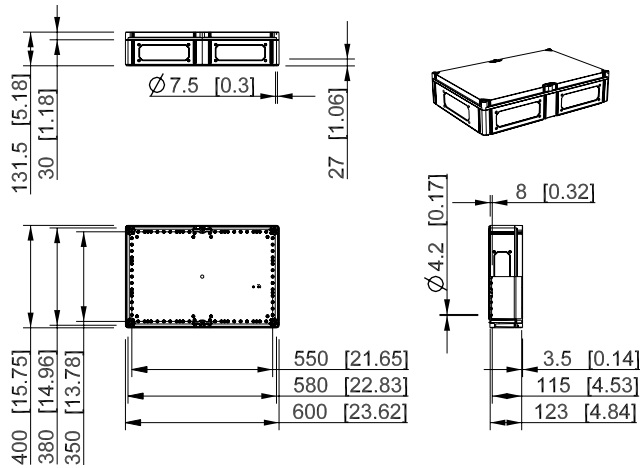
Grey cover	Transparent cover	Description
CPCF404018G	CPCF404018T	6 x F2 knockout, PC



Dimensional drawings, Ensto Cubo C and W

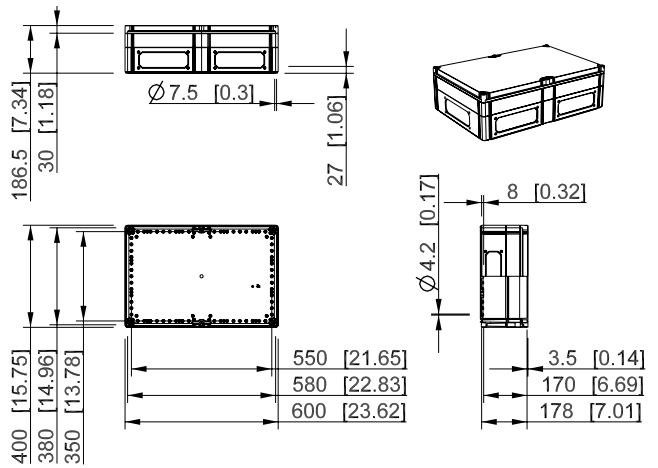
Dimensions in mm [inches]

Ensto Cubo C 400 x 600 x 132 mm



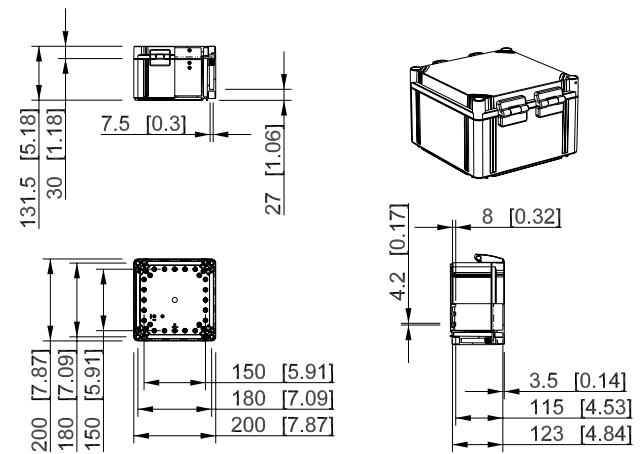
Grey cover	Transparent cover	Description
CPCF406013G	CPCF406013T	6 x F2 knockout, PC

Ensto Cubo C 400 x 600 x 187 mm



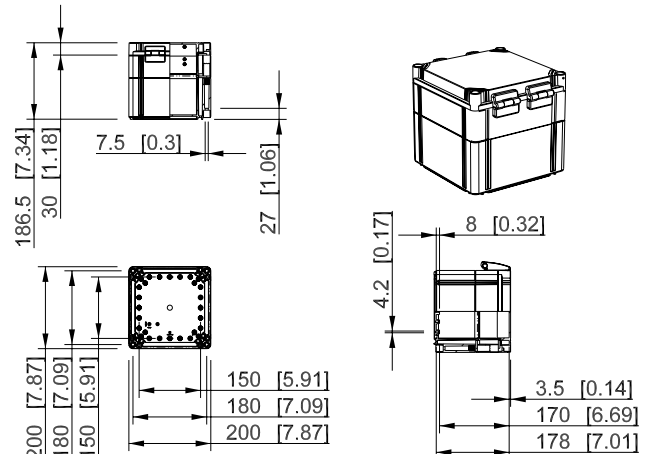
Grey cover	Transparent cover	Description
CPCF406018G	CPCF406018T	6 x F2 knockout, PC

Ensto Cubo W 200 x 200 x 132 mm



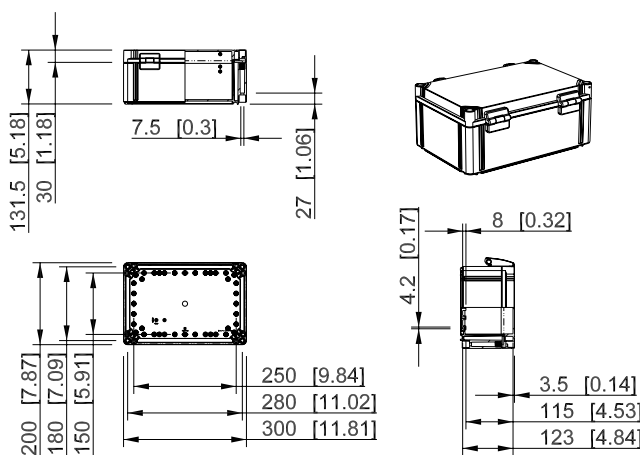
Grey cover	Transparent cover	Description
WPCP202013G	WPCP202013T	Plain sides, polycarbonate

Ensto Cubo W 200 x 200 x 187 mm



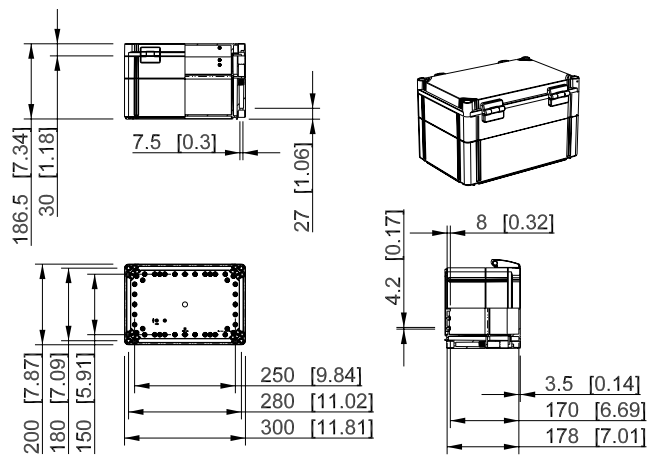
Grey cover	Transparent cover	Description
WPCP202018G	WPCP202018T	Plain sides, polycarbonate

Ensto Cubo W 200 x 300 x 132 mm



Grey cover	Transparent cover	Description
WPCP203013G	WPCP203013T	Plain sides, polycarbonate

Ensto Cubo W 200 x 300 x 187 mm

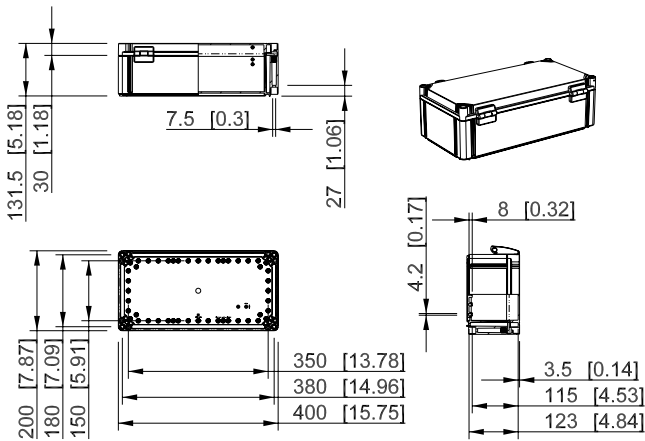


Grey cover	Transparent cover	Description
WPCP203018G	WPCP203018T	Plain sides, polycarbonate

Dimensional drawings, Ensto Cubo W

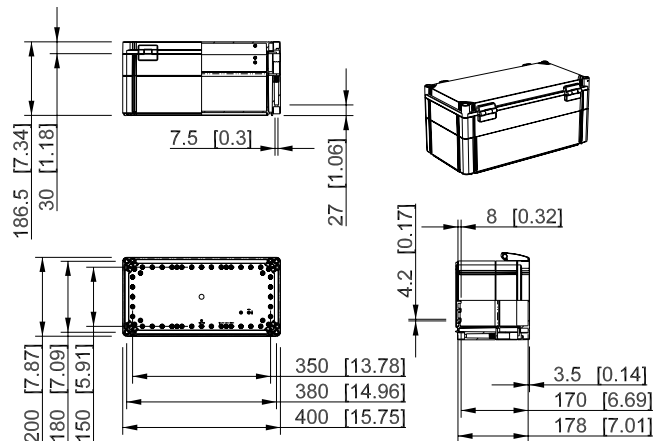
Dimensions in mm [inches]

Ensto Cubo W 200 x 400 x 132 mm



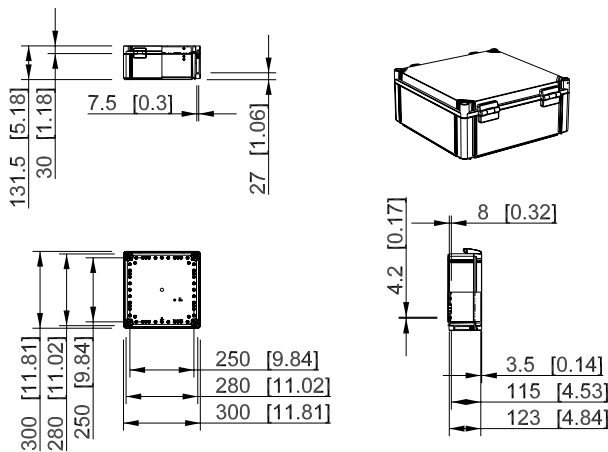
Grey cover	Transparent cover	Description
WPCP204013G	WPCP204013T	Plain sides, polycarbonate

Ensto Cubo W 200 x 400 x 187 mm



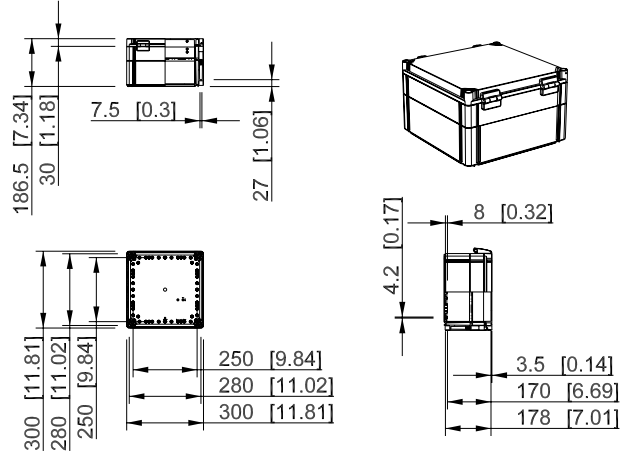
Grey cover	Transparent cover	Description
WPCP204018G	WPCP204018T	Plain sides, polycarbonate

Ensto Cubo W 300 x 300 x 132 mm



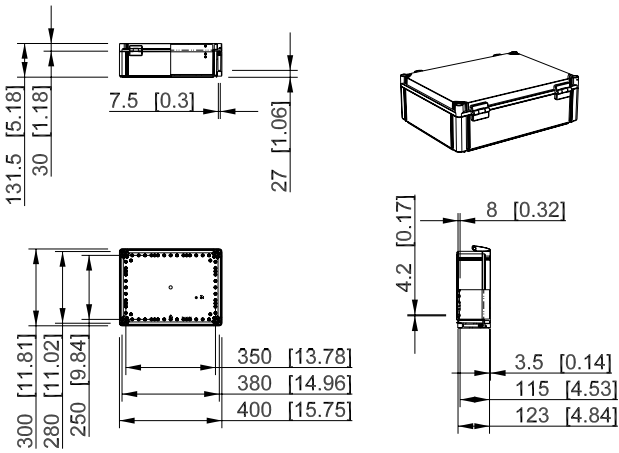
Grey cover	Transparent cover	Description
WPCP303013G	WPCP303013T	Plain sides, polycarbonate

Ensto Cubo W 300 x 300 x 187 mm



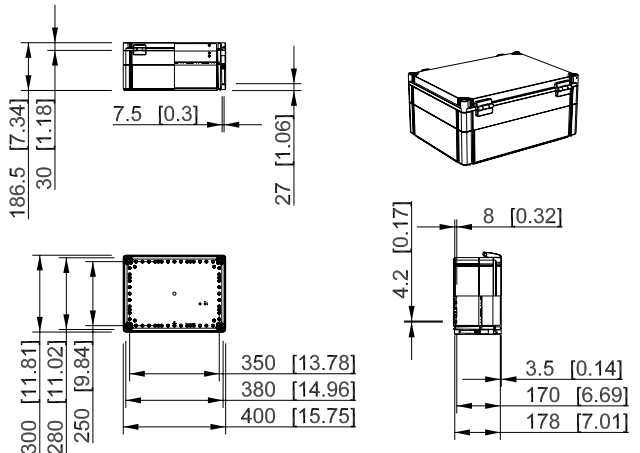
Grey cover	Transparent cover	Description
WPCP303018G	WPCP303018T	Plain sides, polycarbonate

Ensto Cubo W 300 x 400 x 132 mm



Grey cover	Transparent cover	Description
WPCP304013G	WPCP304013T	Plain sides, polycarbonate

Ensto Cubo W 300 x 400 x 187 mm

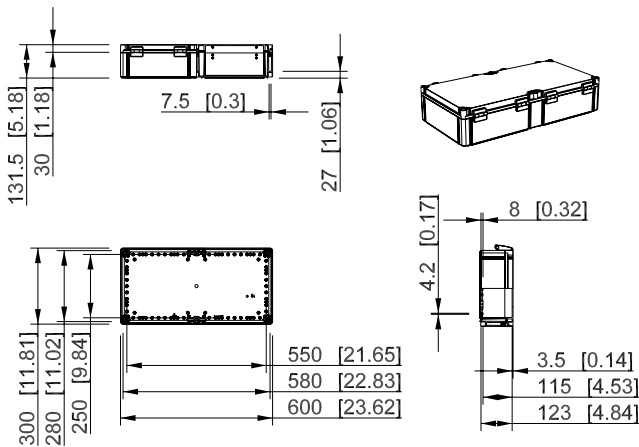


Grey cover	Transparent cover	Description
WPCP304018G	WPCP304018T	Plain sides, polycarbonate

Dimensional drawings, Ensto Cubo W

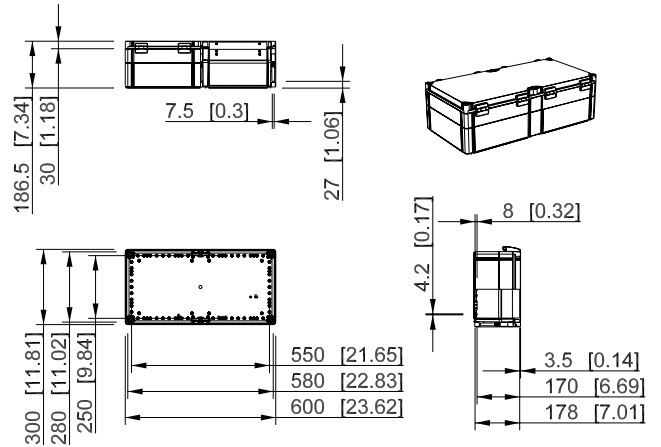
Dimensions in mm [inches]

Ensto Cubo W 300 x 600 x 132 mm



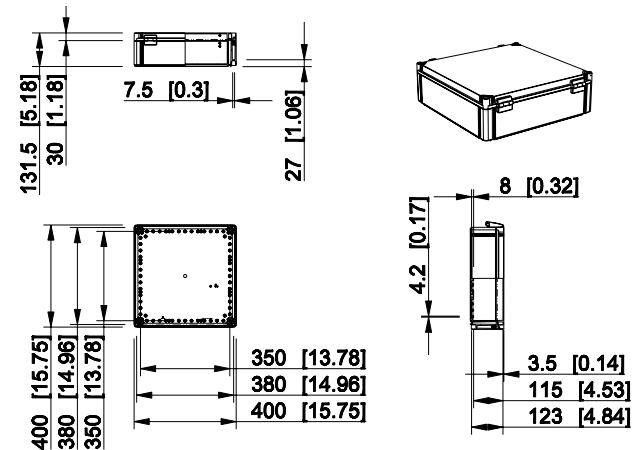
Grey cover	Transparent cover	Description
WPCP306013G	WPCP306013T	Plain sides, polycarbonate

Ensto Cubo W 300 x 600 x 187 mm



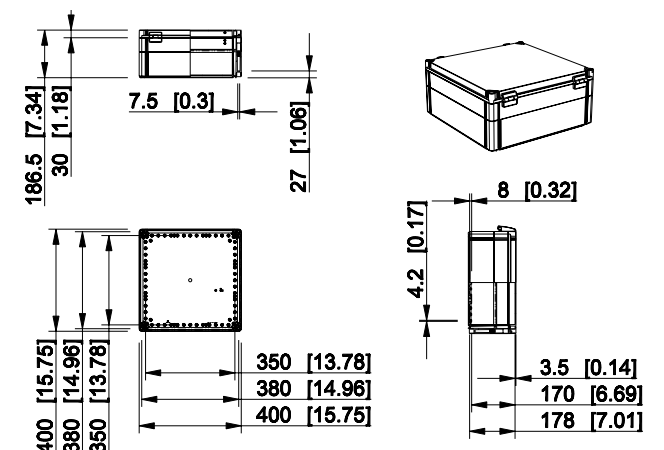
Grey cover	Transparent cover	Description
WPCP306018G	WPCP306018T	Plain sides, polycarbonate

Ensto Cubo W 400 x 400 x 132 mm



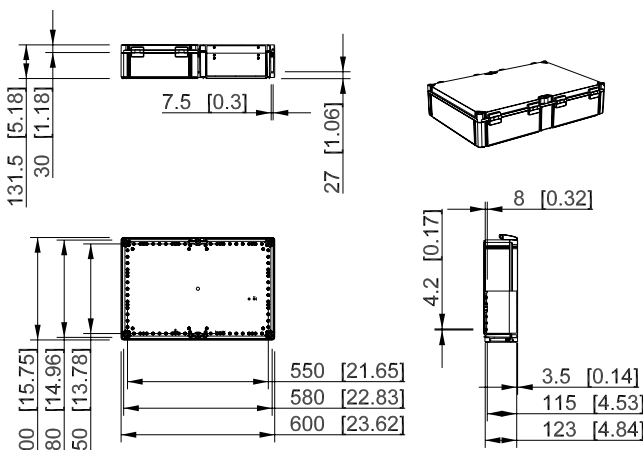
Grey cover	Transparent cover	Description
WPCP404013G	WPCP404013T	Plain sides, polycarbonate

Ensto Cubo W 400 x 400 x 187 mm



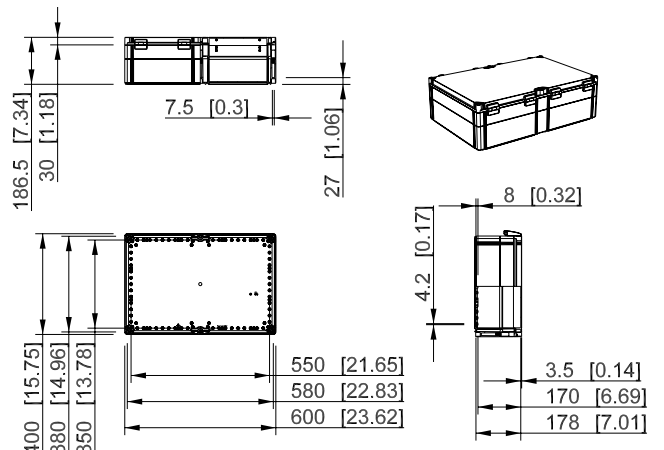
Grey cover	Transparent cover	Description
WPCP404018G	WPCP404018T	Plain sides, polycarbonate

Ensto Cubo W 400 x 600 x 132 mm



Grey cover	Transparent cover	Description
WPCP406013G	WPCP406013T	Plain sides, polycarbonate

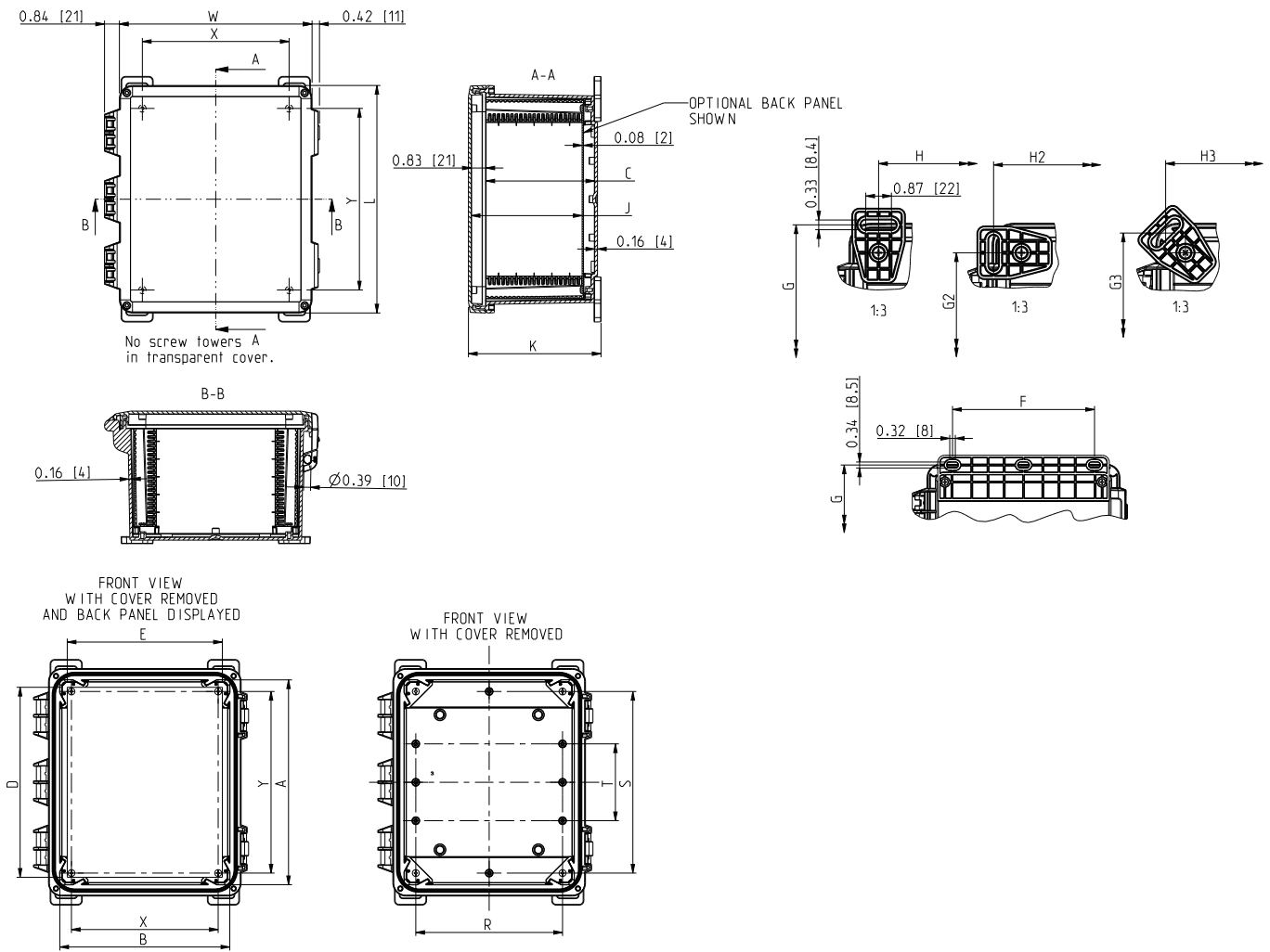
Ensto Cubo W 400 x 600 x 187 mm



Grey cover	Transparent cover	Description
WPCP406018G	WPCP406018T	Plain sides, polycarbonate

Dimensional drawings, Ensto PolyBox

Dimensions in mm [inches]



Dimensional Chart

Product code	Internal dimensions				External dimensions			Panel size		Mounting dimensions				Panel mounting holes		Bottom screw tower dimensions			
	A	B	C	J	L	W	K	D	E	G	H	H2	H3	F	Y	X	S	T	R
UPC#080604****	190	139	105	108	223	172	139	171	120	222	123	171	157	102	159	108	163	-	108
UPC#100806****	243	192	156	159	276	225	190	222	171	273	174	222	208	152.4	210	159	210	65	159
UPC#121006****	293	243	156	159	326	276	190	272	222	323	225	273	259	203	260	210	260	110	210
UPC#181610****	450	399	257	260	482	431	291	425	374	476	377	425	411	356	413	362	413	138	362

Dimensions in mm

= G = Grey (Opaque)
T = Transparent

**** = HNL = Hinged, Nonmetal Snap Latch
HML = Hinged, Metal Snap Latch

HS = Hinged 2-Screws, Padlock Clamp
No Suffix = Lift-Off 4-Screws



Dimensional drawings, Ensto Modulo

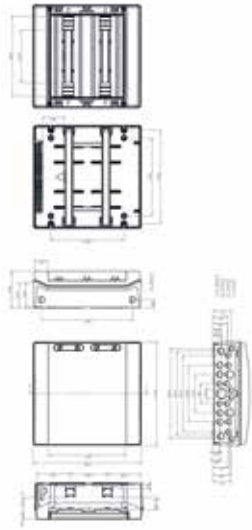
Dimensions in mm [inches]

<p>MODAB41PN</p>	<p>MODAB61PN</p>
<p>MODAB81PN</p>	<p>MODAB121PN</p>
<p>MODAB181PN</p>	<p>MODAB242PN</p>

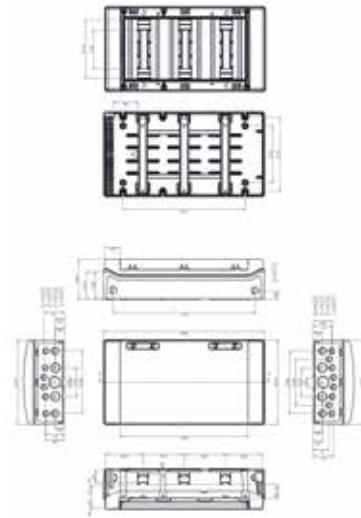
Dimensional drawings, Ensto Modulo

Dimensions in mm [inches]

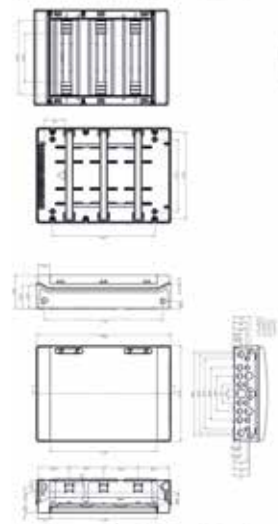
MODAB362PN



MODAB363PN



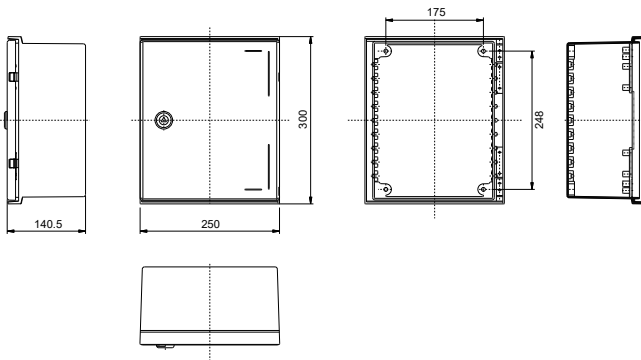
MODAB543PN



Dimensional drawings, Ensto Cubo N

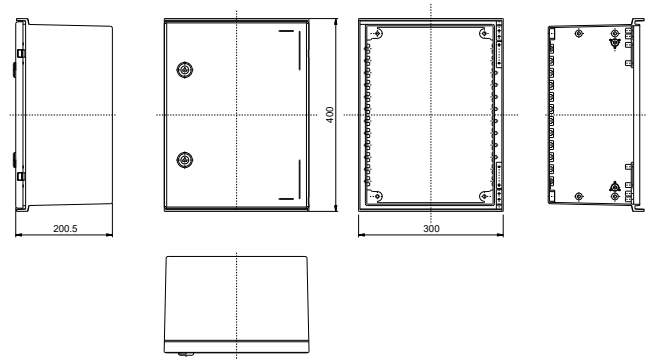
Dimensions in mm [inches]

Ensto Cubo N 250 x 300 x 140 mm



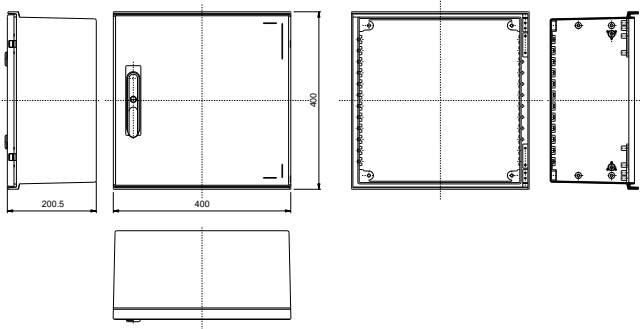
Product code	Description
NGRP253014	Plain sides, GRP
NGRP253014P3SH	Plain sides, swinghandle, GRP
NGRW253014	Plain sides, PC window: 115 x 220 mm, GRP

Ensto Cubo N 300 x 400 x 200 mm



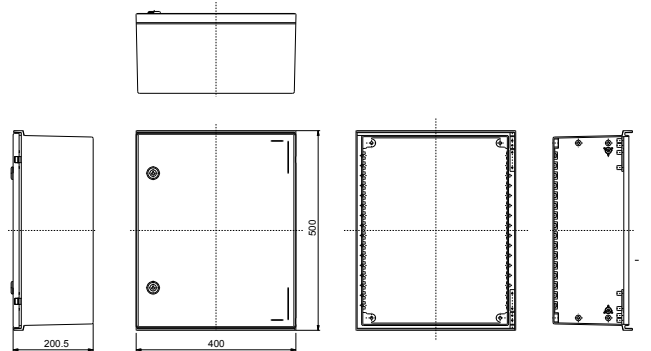
Product code	Description
NGRP304020	Plain sides, GRP
NGRP304020P3SH	Plain sides, swinghandle, GRP
NGRW304020	Plain sides, PC window: 141 x 281 mm, GRP

Ensto Cubo N 400 x 400 x 200 mm



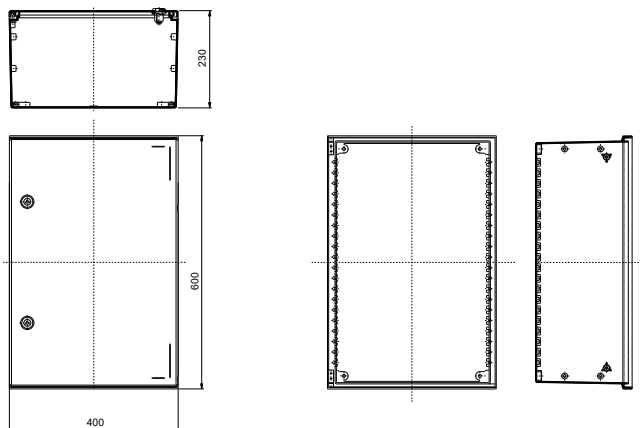
Product code	Description
NGRP404020	Plain sides, GRP
NGRP404020P3SH	Plain sides, swinghandle, GRP
NGRW404020	Plain sides, PC window: 221 x 281 mm, GRP

Ensto Cubo N 400 x 500 x 200 mm



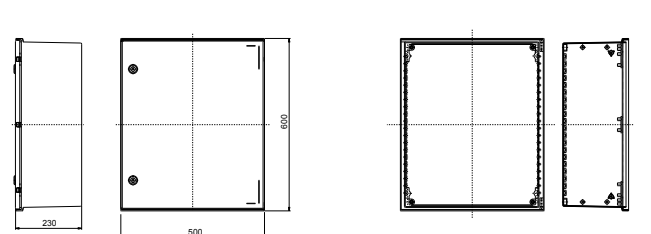
Product code	Description
NGRP405020	Plain sides, GRP
NGRP405020P3SH	Plain sides, swinghandle, GRP
NGRW405020	Plain sides, PC window: 221 x 381 mm, GRP

Ensto Cubo N 400 x 600 x 230 mm



Product code	Description
NGRP406023	Plain sides, GRP
NGRP406023P3SH	Plain sides, swinghandle, GRP
NGRW406023	Plain sides, PC window: 221 x 481 mm, GRP

Ensto Cubo N 500 x 600 x 230 mm

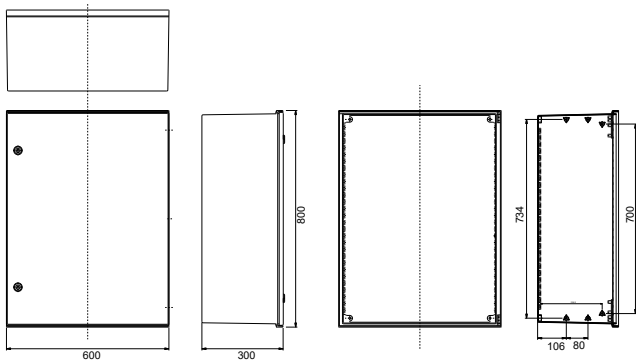


Product code	Description
NGRP506023	Plain sides, GRP
NGRP506023P3SH	Plain sides, swinghandle, GRP
NGRW506023	Plain sides, PC window: 321 x 481 mm, GRP

Dimensional drawings, Ensto Cubo N

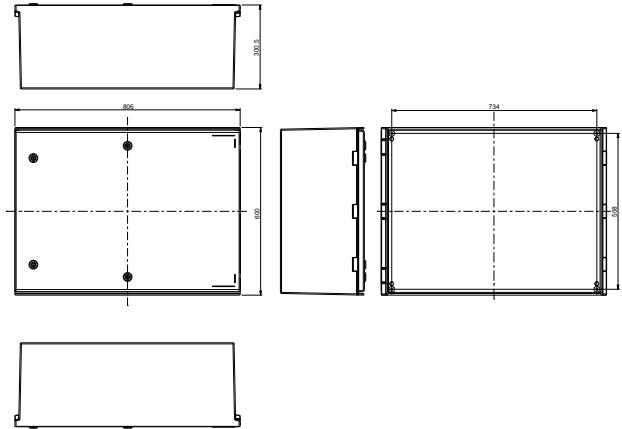
Dimensions in mm [inches]

Ensto Cubo N 600 x 800 x 300 mm



Product code	Description
NGRP608030	Plain sides, GRP
NGRP608030P3SH	Plain sides, swinghandle, GRP
NGRW608030	Plain sides, PC window: 421 x 681 mm, GRP

Ensto Cubo N 800 x 600 x 300 mm



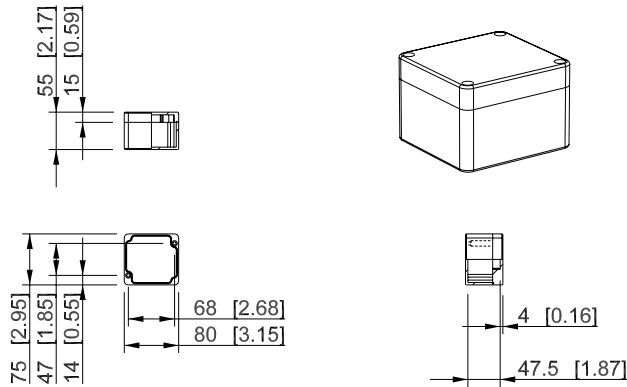
Product code	Description
NGRP806030	Plain sides, GRP
NGRP806030P3SH	Plain sides, swinghandle, GRP



Dimensional drawings, Ensto Cubo M

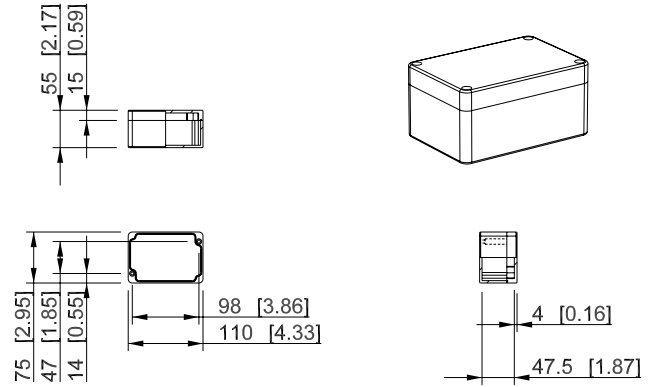
Dimensions in mm [inches]

Ensto Cubo M 75 x 80 x 55 mm



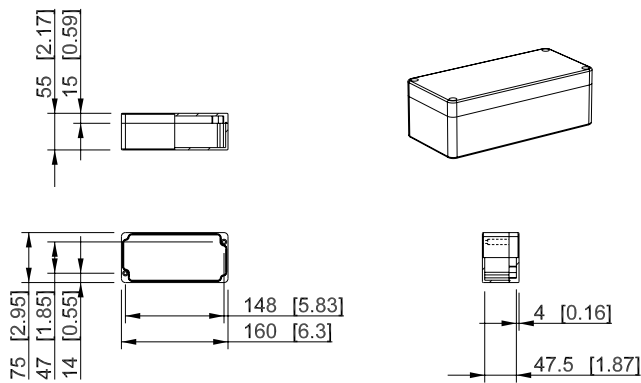
Product code	Description
MGRP080806	Plain sides, GRP

Ensto Cubo M 75 x 110 x 55 mm



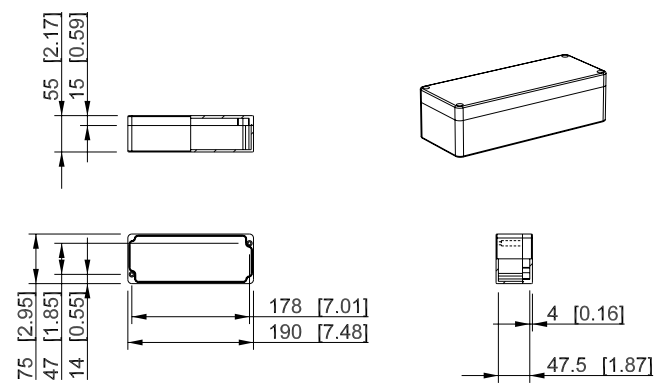
Product code	Description
MGRP081106	Plain sides, GRP

Ensto Cubo M 75 x 160 x 55 mm



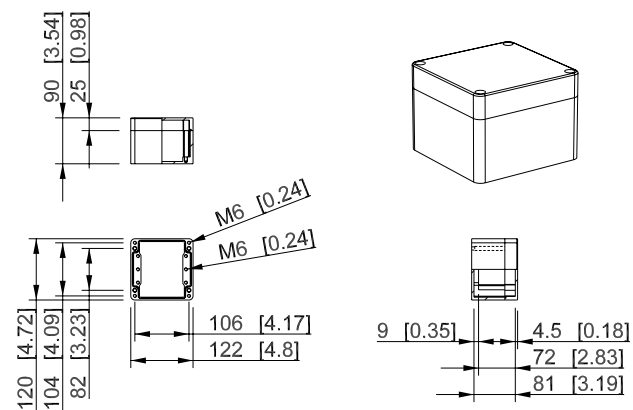
Product code	Description
MGRP081606	Plain sides, GRP

Ensto Cubo M 75 x 190 x 55 mm



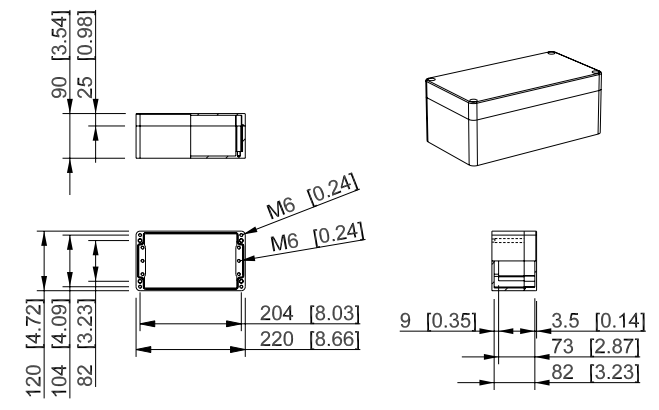
Product code	Description
MGRP081906	Plain sides, GRP

Ensto Cubo M 120 x 122 x 90 mm



Product code	Description
MGRP121209	Plain sides, GRP

Ensto Cubo M 120 x 220 x 90 mm

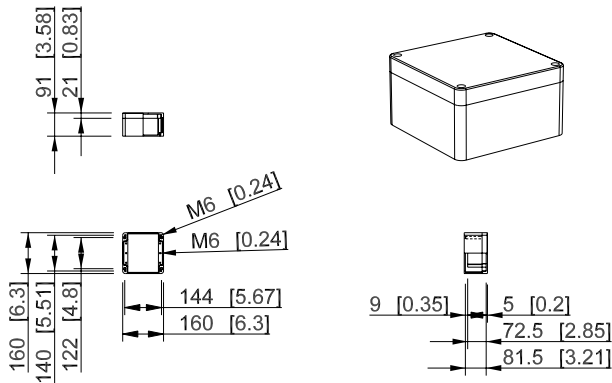


Product code	Description
MGRP122209	Plain sides, GRP

Dimensional drawings, Ensto Cubo M

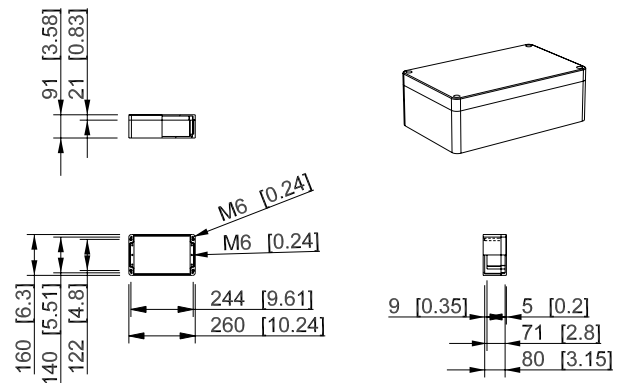
Dimensions in mm [inches]

Ensto Cubo M 160 x 160 x 91 mm



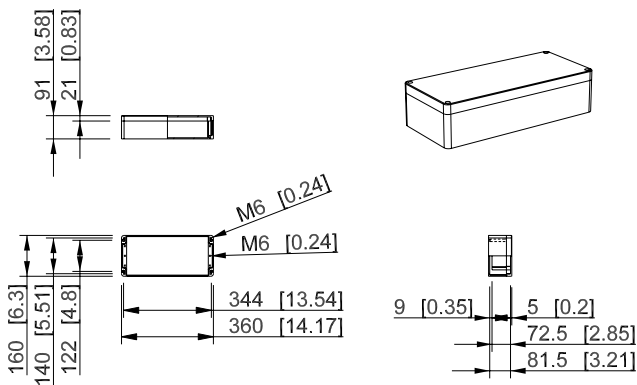
Product code	Description
MGRP161609	Plain sides, GRP

Ensto Cubo M 160 x 260 x 91 mm



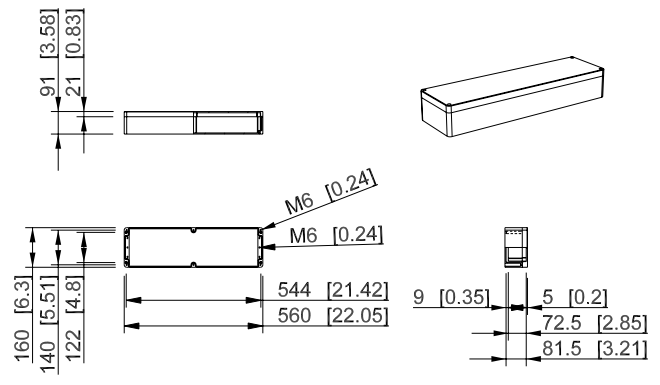
Product code	Description
MGRP162609	Plain sides, GRP

Ensto Cubo M 160 x 360 x 91 mm



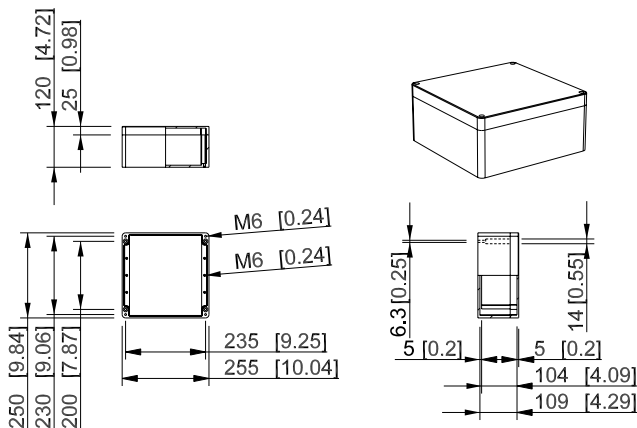
Product code	Description
MGRP163609	Plain sides, GRP

Ensto Cubo M 160 x 560 x 91 mm



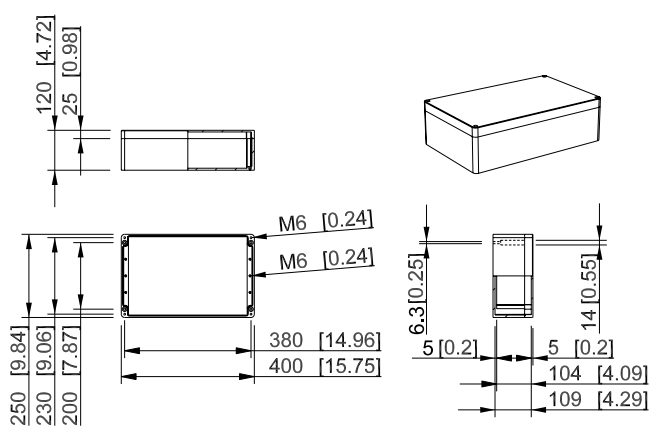
Product code	Description
MGRP165609	Plain sides, GRP

Ensto Cubo M 250 x 255 x 120 mm



Product code	Description
MGRP252612	Plain sides, GRP

Ensto Cubo M 250 x 400 x 120 mm

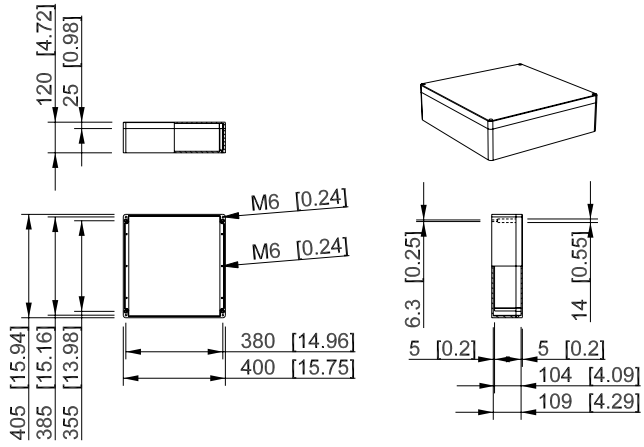


Product code	Description
MGRP254012	Plain sides, GRP

Dimensional drawings, Ensto Cubo M

Dimensions in mm [inches]

Ensto Cubo M 400 x 405 x 120 mm

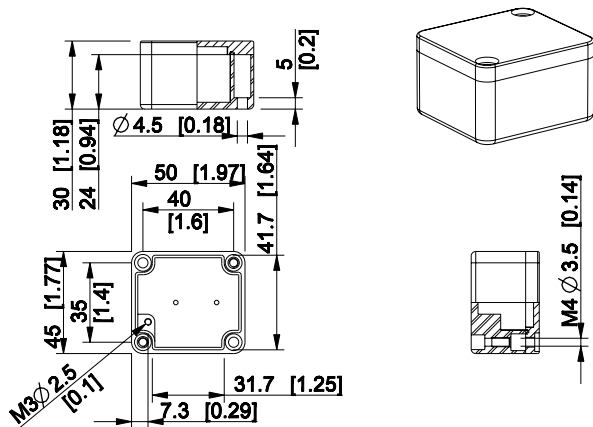


Product code	Description
MGRP404112	Plain sides, GRP

Dimensional drawings, Ensto Cubo H

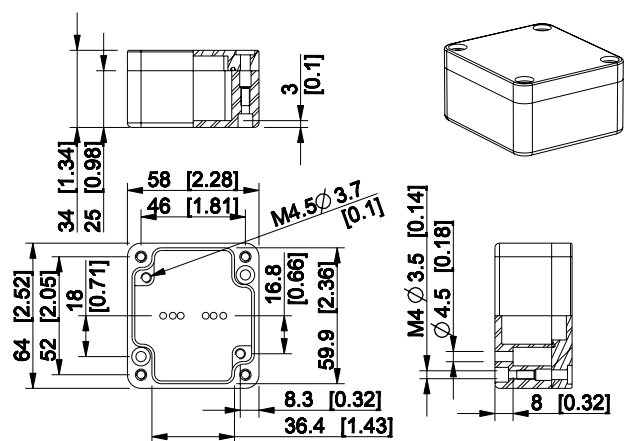
Dimensions in mm [inches]

Ensto Cubo H 50 x 45 x 30 mm



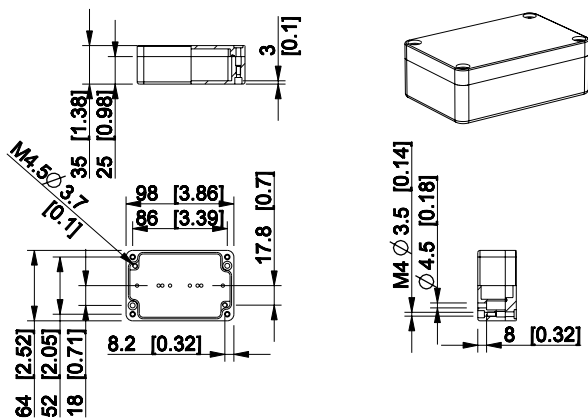
Product code	Description
HALP050503	Plain sides, aluminium

Ensto Cubo H 64 x 58 x 34 mm



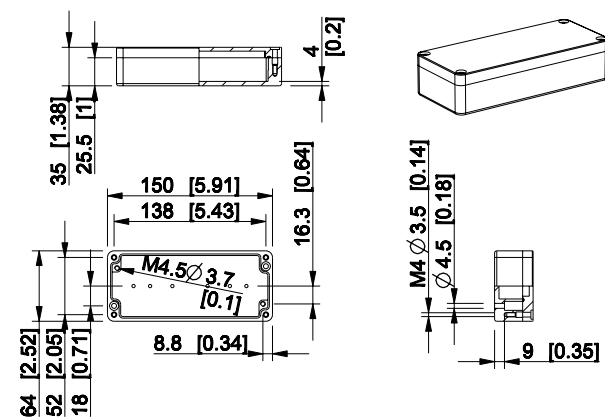
Product code	Description
HALP060604	Plain sides, aluminium

Ensto Cubo H 64 x 98 x 35 mm



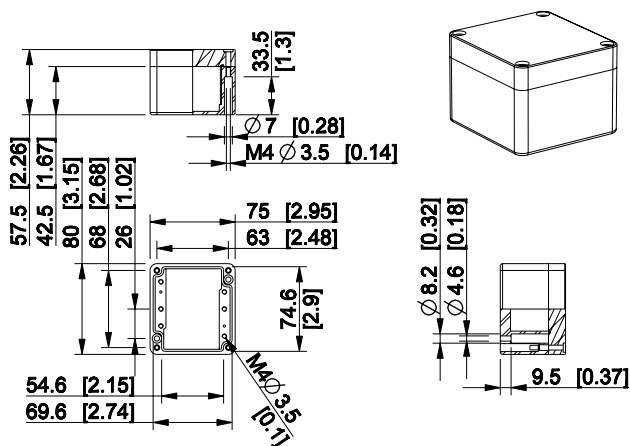
Product code	Description
HALP061004	Plain sides, aluminium

Ensto Cubo H 64 x 150 x 35 mm



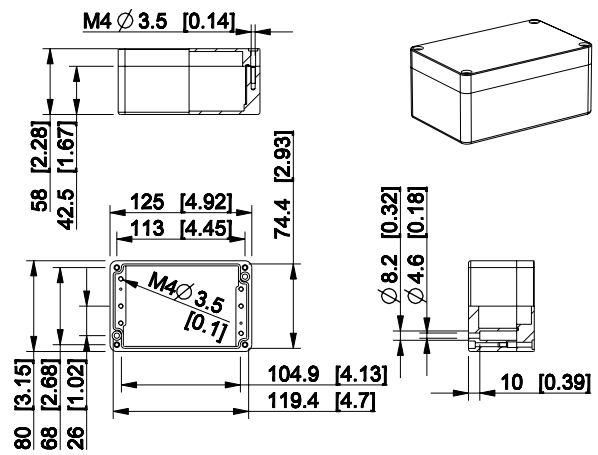
Product code	Description
HALP061504	Plain sides, aluminium

Ensto Cubo H 80 x 75 x 57,5 mm



Product code	Description
HALP080806	Plain sides, aluminium

Ensto Cubo H 80 x 125 x 58 mm

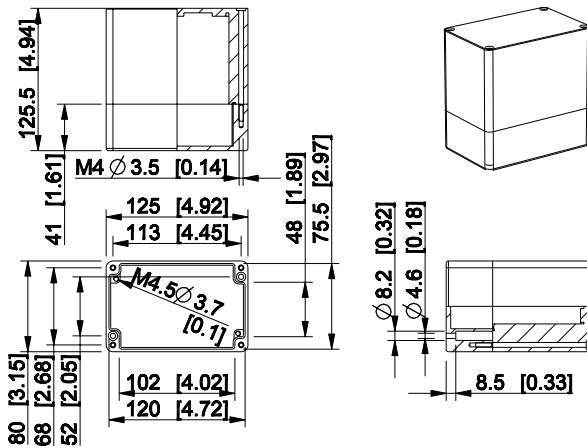


Product code	Description
HALP081306	Plain sides, aluminium

Dimensional drawings, Ensto Cubo H

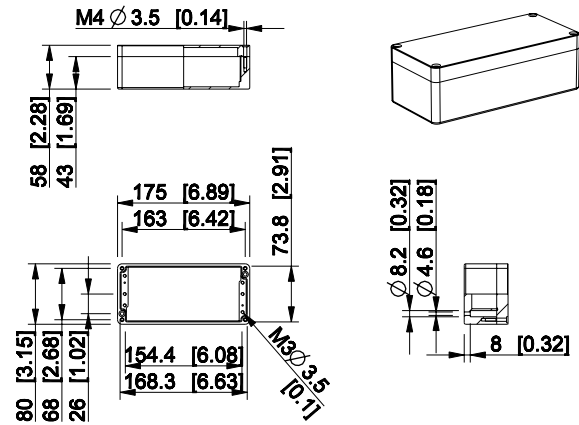
Dimensions in mm [inches]

Ensto Cubo H 80 x 125 x 125,5 mm



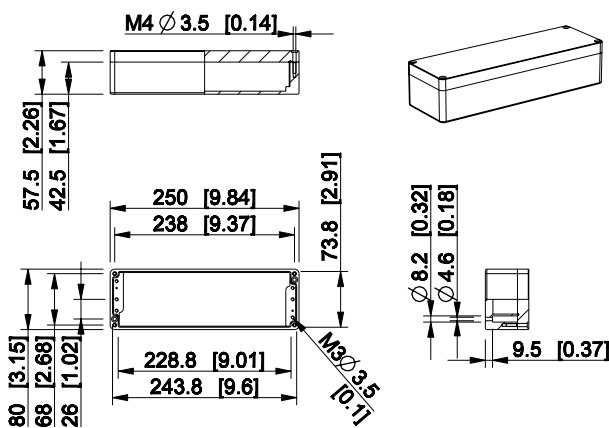
Product code	Description
HALP081313	Plain sides, aluminium

Ensto Cubo H 80 x 175 x 58 mm



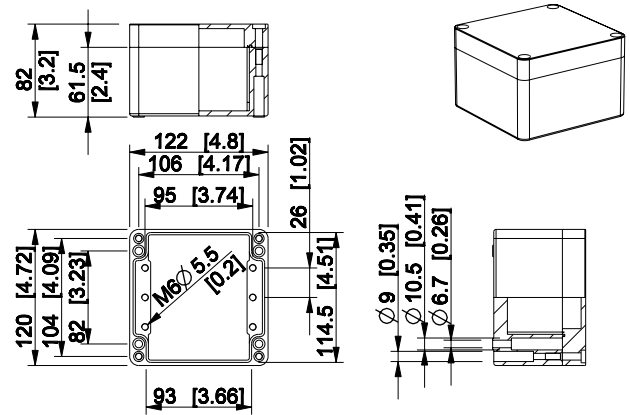
Product code	Description
HALP081806	Plain sides, aluminium

Ensto Cubo H 80 x 250 x 57,5 mm



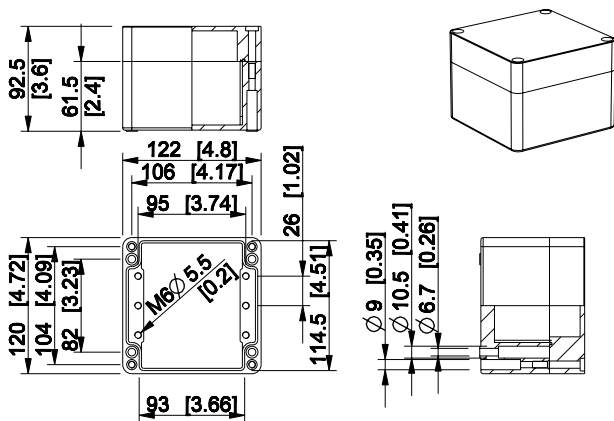
Product code	Description
HALP082506	Plain sides, aluminium

Ensto Cubo H 120 x 122 x 82 mm



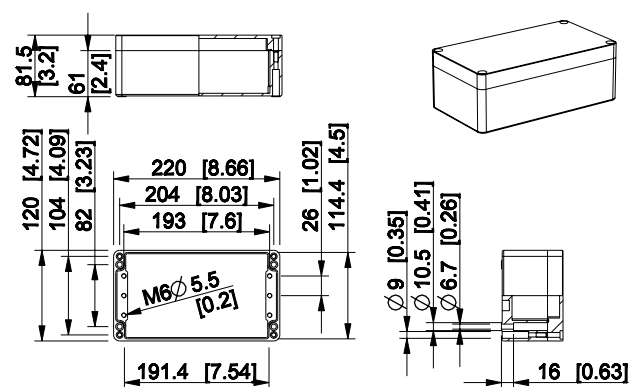
Product code	Description
HALP121208	Plain sides, aluminium

Ensto Cubo H 120 x 122 x 92,5 mm



Product code	Description
HALP121209	Plain sides, aluminium

Ensto Cubo H 120 x 220 x 81,5 mm

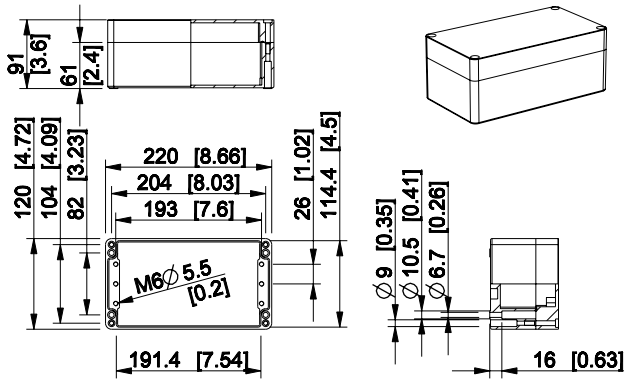


Product code	Description
HALP122208	Plain sides, aluminium

Dimensional drawings, Ensto Cubo H

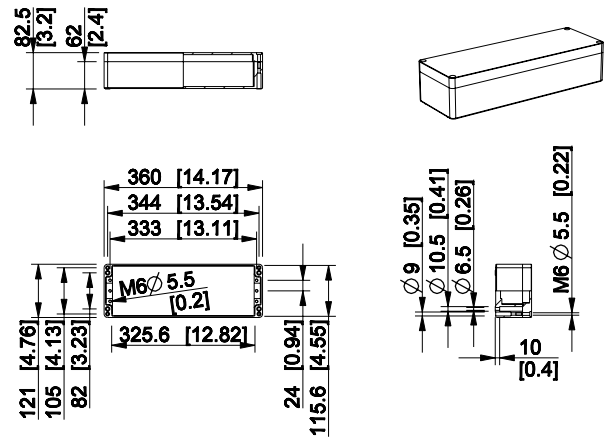
Dimensions in mm [inches]

Ensto Cubo H 120 x 220 x 91 mm



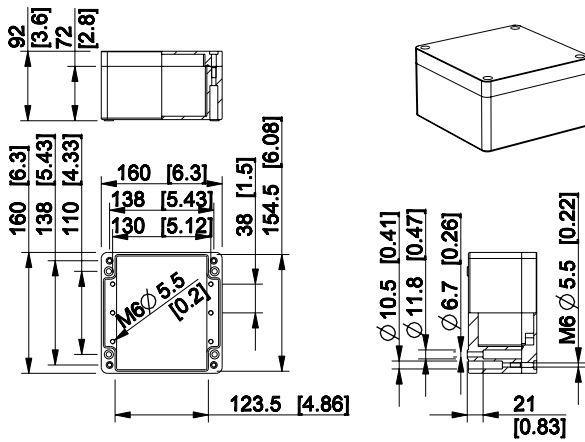
Product code	Description
HALP122009	Plain sides, aluminium

Ensto Cubo H 121 x 360 x 82,5 mm



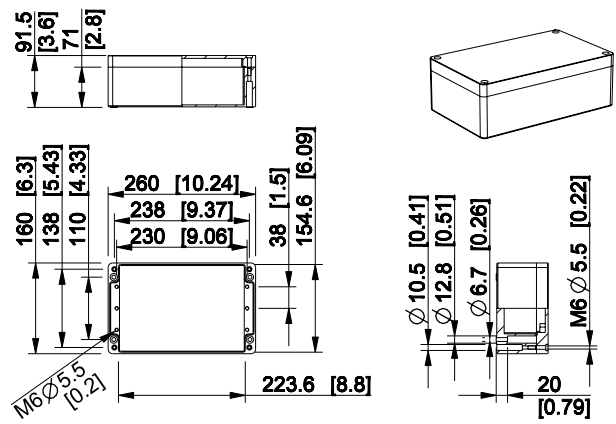
Product code	Description
HALP123608	Plain sides, aluminium

Ensto Cubo H 160 x 160 x 92 mm



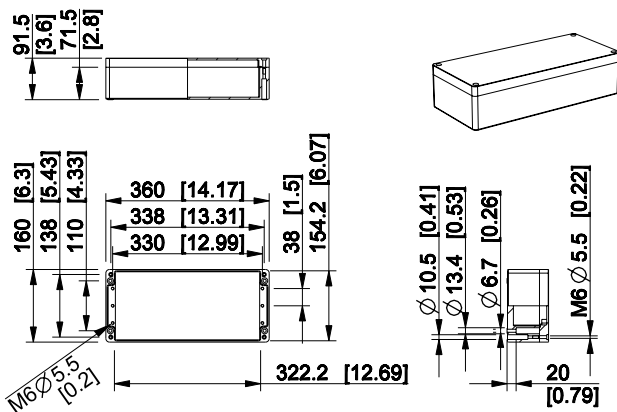
Product code	Description
HALP161609	Plain sides, aluminium

Ensto Cubo H 160 x 260 x 91,5 mm



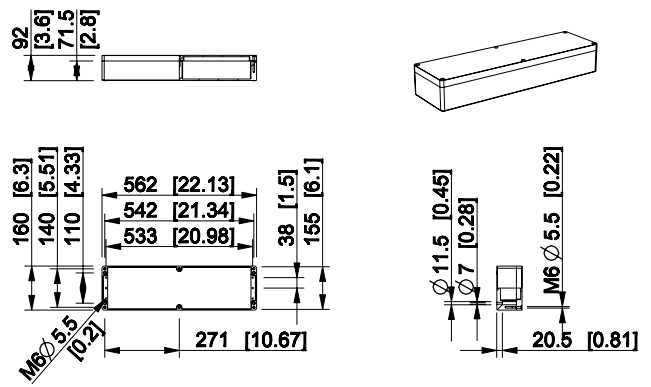
Product code	Description
HALP162609	Plain sides, aluminium

Ensto Cubo H 160 x 360 x 91,5 mm



Product code	Description
HALP163609	Plain sides, aluminium

Ensto Cubo H 160 x 562 x 92 mm

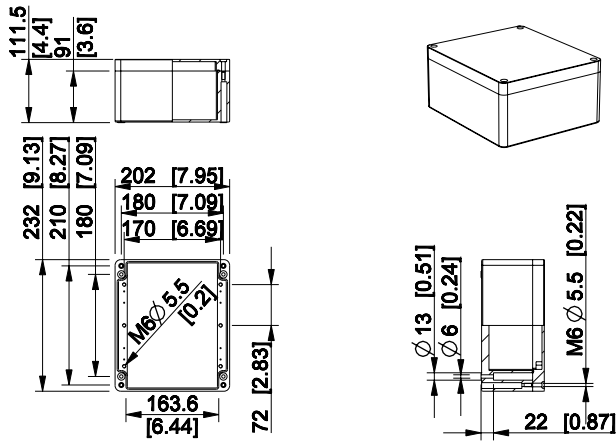


Product code	Description
HALP165609	Plain sides, aluminium

Dimensional drawings, Ensto Cubo H

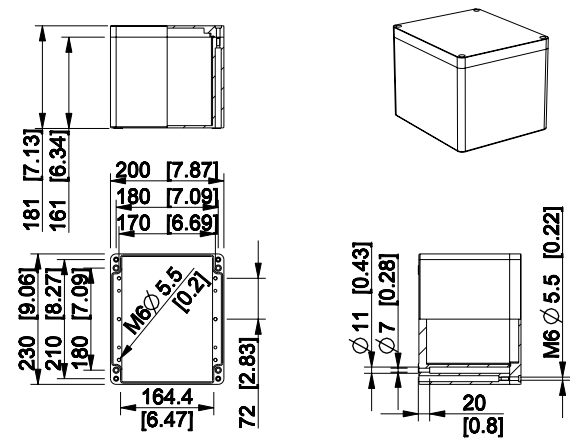
Dimensions in mm [inches]

Ensto Cubo H 202 x 232 x 111,5 mm



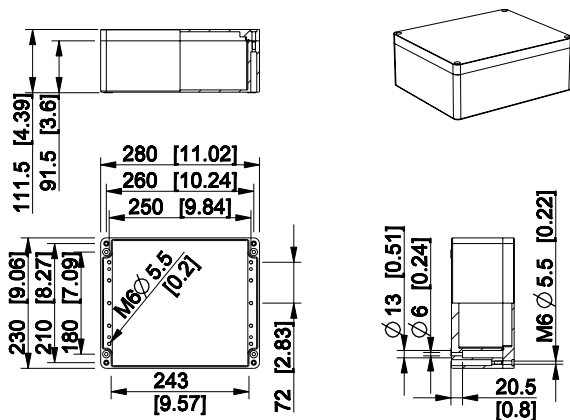
Product code	Description
HALP202311	Plain sides, aluminium

Ensto Cubo H 200 x 230 x 181 mm



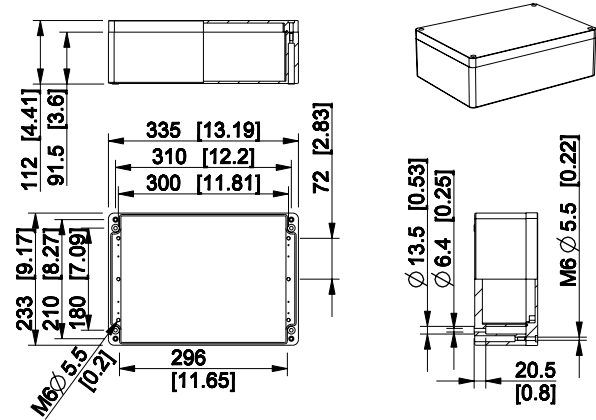
Product code	Description
HALP202318	Plain sides, aluminium

Ensto Cubo H 230 x 280 x 111,5 mm



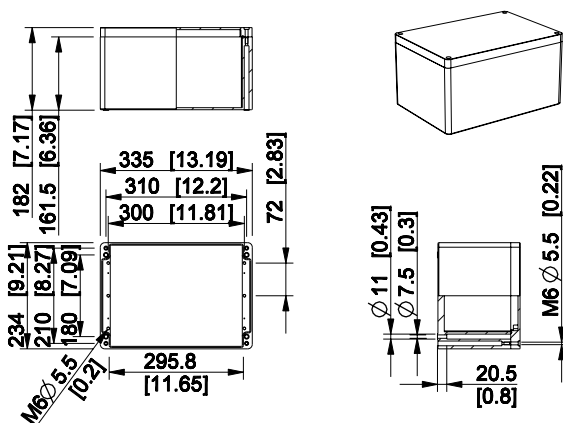
Product code	Description
HALP232811	Plain sides, aluminium

Ensto Cubo H 233 x 335 x 112 mm



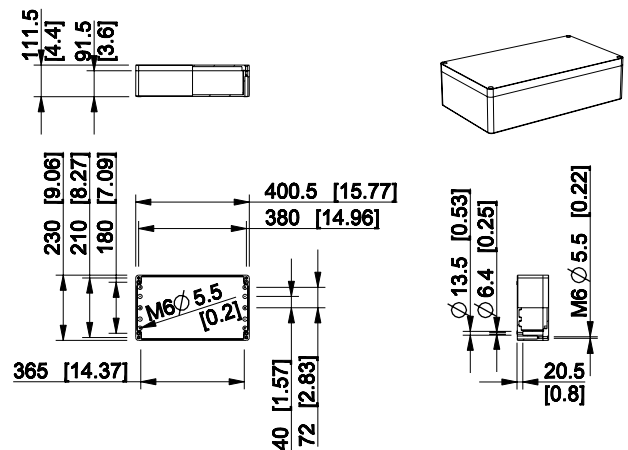
Product code	Description
HALP233311	Plain sides, aluminium

Ensto Cubo H 234 x 335 x 182 mm



Product code	Description
HALP233318	Plain sides, aluminium

Ensto Cubo H 230 x 400,5 x 111,5 mm

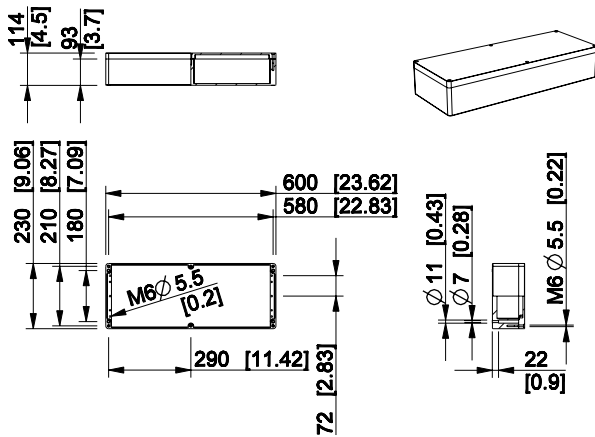


Product code	Description
HALP234011	Plain sides, aluminium

Dimensional drawings, Ensto Cubo H

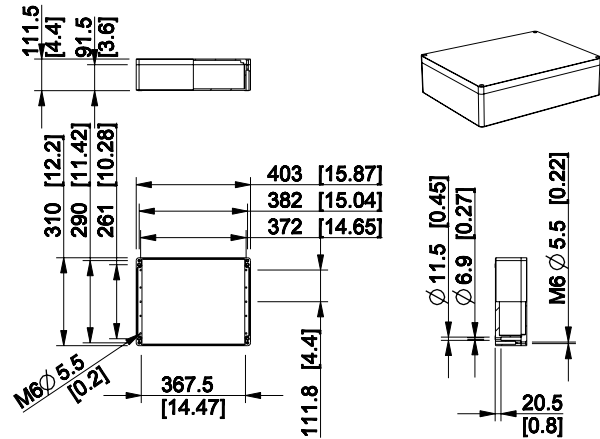
Dimensions in mm [inches]

Ensto Cubo H 230 x 600 x 114 mm



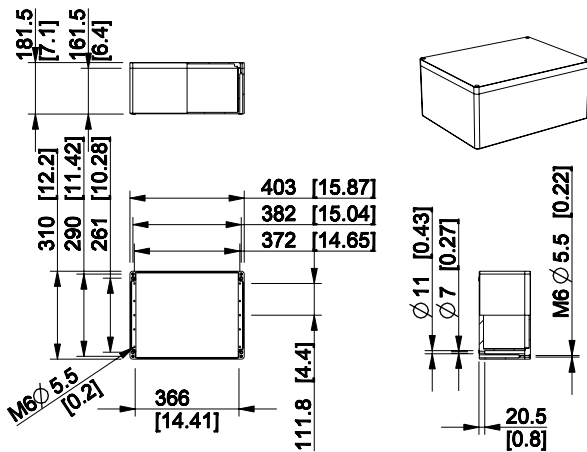
Product code	Description
HALP236011	Plain sides, aluminium

Ensto Cubo H 310 x 403 x 111,5 mm



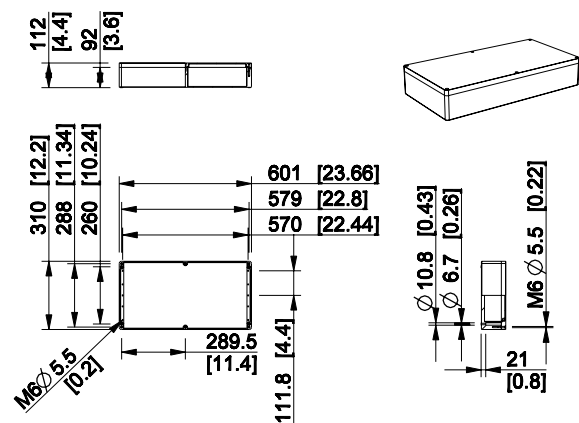
Product code	Description
HALP314011	Plain sides, aluminium

Ensto Cubo H 310 x 403 x 181,5 mm



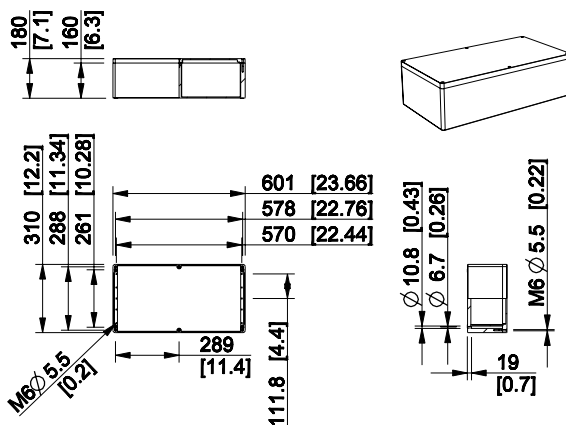
Product code	Description
HALP314018	Plain sides, aluminium

Ensto Cubo H 310 x 601 x 112 mm



Product code	Description
HALP316011	Plain sides, aluminium

Ensto Cubo H 310 x 601 x 180 mm

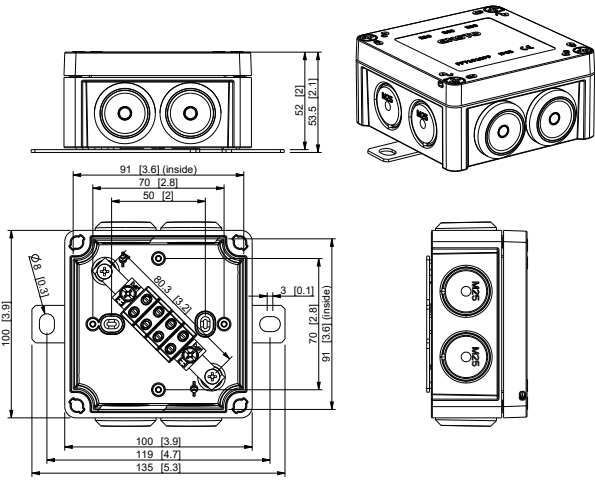


Product code	Description
HALP316018	Plain sides, aluminium

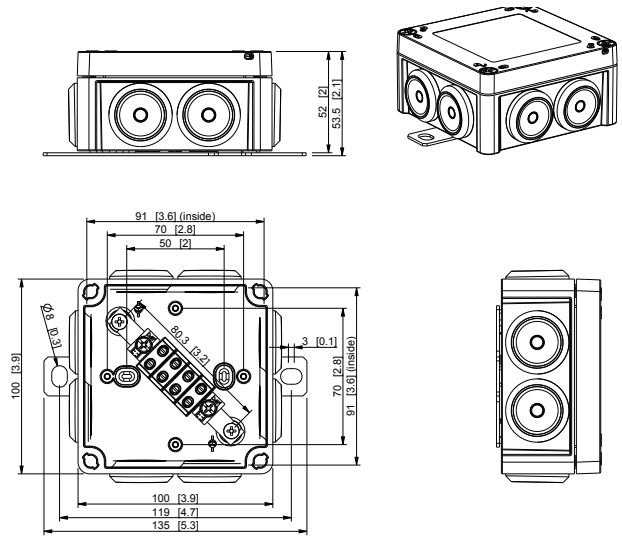
Dimensional drawings, Ensto Vulcano

Dimensions in mm [inches]

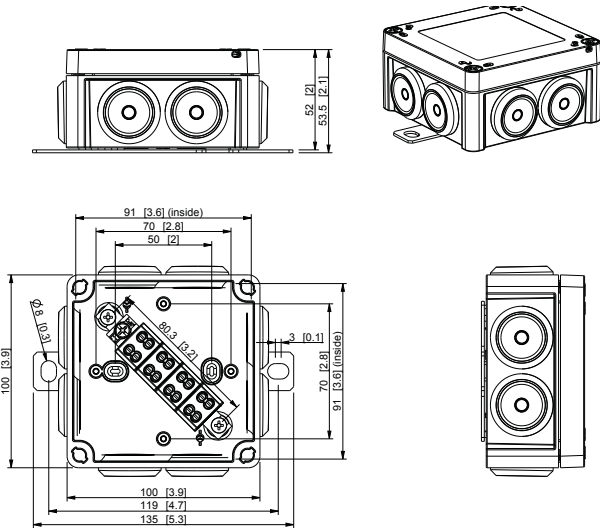
FPT1010PP46.LITE



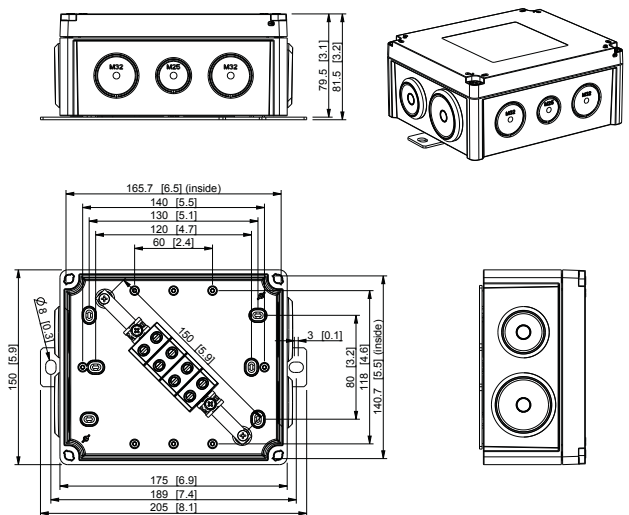
FPT1010PP46



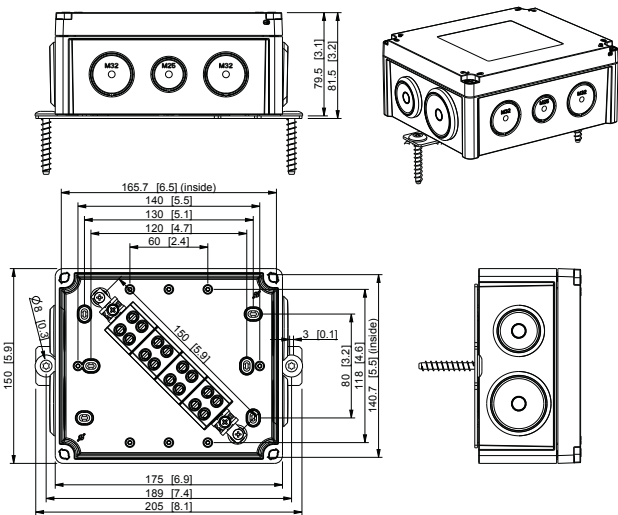
FPT1010PP46.4



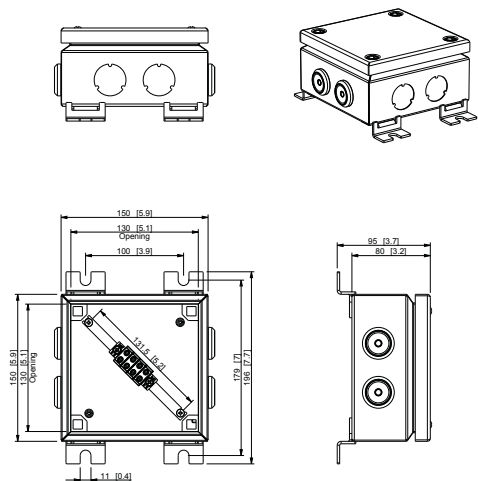
FPT1815PP416



FPT1815PP416.4



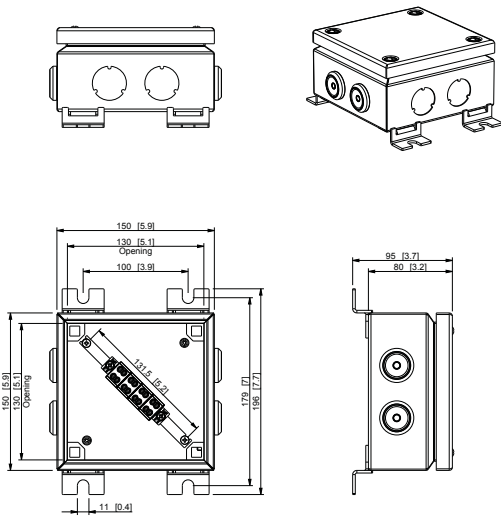
FPT1515FE46



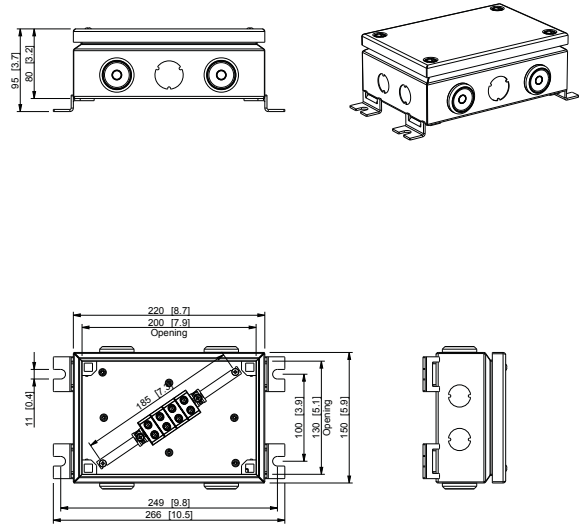
Dimensional drawings, Ensto Vulcano

Dimensions in mm [inches]

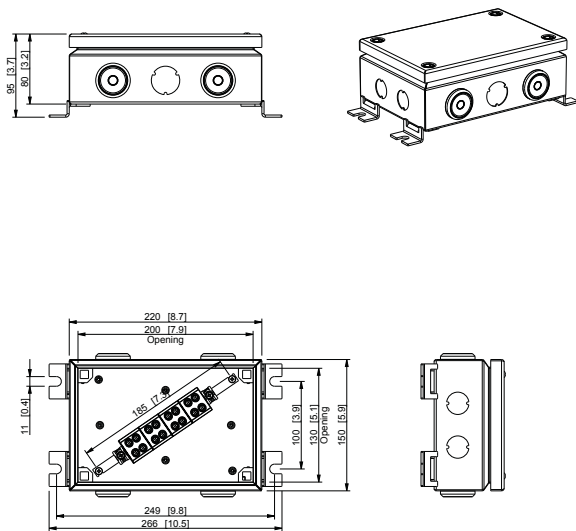
FPT1515FE46.4



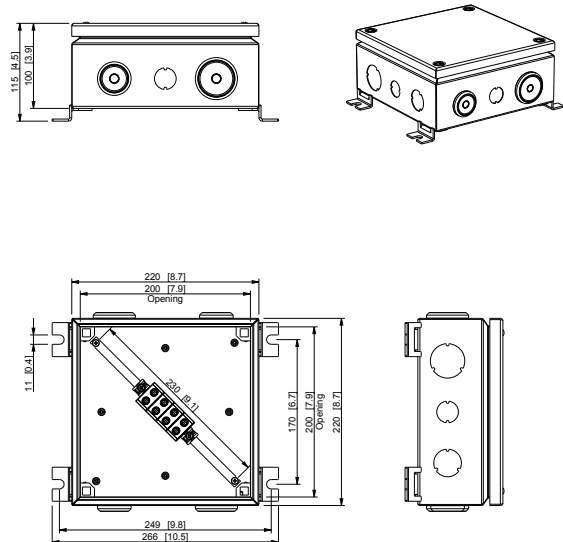
FPT2215FE416



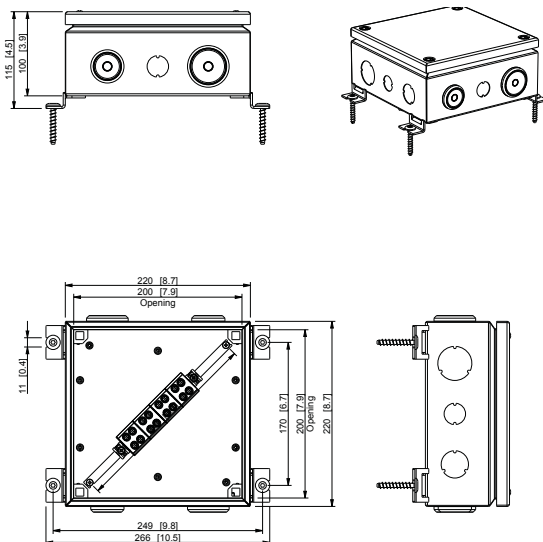
FPT2215FE416.4



FTP2222FE416



FTP2222FE416.4



Index

B

BPA10H.....52
 BPA10HB52
 BVD2252

C

CPCF202010B25
 CPCF202013G24, 75
 CPCF202013T24, 75
 CPCF202013T.U32
 CPCF202018G24, 75
 CPCF202018G.U32
 CPCF202018T24, 75
 CPCF202018T.U32
 CPCF203010B25
 CPCF203013G24, 76
 CPCF203013G.U32
 CPCF203013T24, 76
 CPCF203013T.U32
 CPCF203018G24, 76
 CPCF203018G.U32
 CPCF203018T24, 76
 CPCF203018T.U32
 CPCF204010B25
 CPCF204013G24, 76
 CPCF204013G.U32
 CPCF204013T24, 76
 CPCF204013T.U32
 CPCF204018G24, 76
 CPCF204018G.U32
 CPCF204018T24, 76
 CPCF204018T.U32
 CPCF303010B25
 CPCF303013G24, 76
 CPCF303013G.U32
 CPCF303013T24, 76
 CPCF303013T.U32
 CPCF303018G23, 76
 CPCF303018G.U32
 CPCF303018T24, 76
 CPCF303018T.U32
 CPCF304010B25
 CPCF304013G23, 77
 CPCF304013G.U32
 CPCF304013T24, 77
 CPCF304013T.U32
 CPCF304018G23, 77
 CPCF304018G.U32
 CPCF304018T24, 77
 CPCF304018T.U32
 CPCF306010B25

CPCF306013G23, 77
 CPCF306013G.U32
 CPCF306013T24, 77
 CPCF306013T.U32
 CPCF306018G24, 77
 CPCF306018G.U32
 CPCF306018T24, 77
 CPCF306018T.U32
 CPCF404010B25
 CPCF404013G24
 CPCF404013G.U32
 CPCF404013T24
 CPCF404013T.U32
 CPCF404018G24
 CPCF404018G.U32
 CPCF404018T24
 CPCF404018T.U32
 CPCF406010B25
 CPCF406013G ... 24, 77, 78
 CPCF406013G.U32
 CPCF406013T ... 24, 77, 78
 CPCF406013T.U32
 CPCF406018G ... 24, 77, 78
 CPCF406018G.U32
 CPCF406018T ... 24, 77, 78
 CPCF406018T.U32

D

DABP050504G21, 70
 DABP050504T21, 70
 DABP050704G21, 70
 DABP050704T21, 70
 DABP080806G21, 70
 DABP080806T21, 70
 DABP080809G21, 70
 DABP080809T21, 70
 DABP081206G21, 70
 DABP081206T21, 70
 DABP081209G21, 70
 DABP081209T21, 70
 DABP081606G21, 71
 DABP081606T21, 71
 DABP081609G21, 71
 DABP081609T21, 71
 DABP121206G21, 71
 DABP121206T21, 71
 DABP121209G21, 71
 DABP121209T21, 71
 DABP121609G21, 71
 DABP121609T21, 71
 DABP122009G21, 71

DABP122009T21, 71
 DABP152008G21, 72
 DABP152008T21, 72
 DABP162409G21, 72
 DABP162409T21, 72
 DABP162412G21, 72
 DABP162412T21, 72
 DABP233009G21, 72
 DABP233009T21, 72
 DABP233011G21, 72
 DABP233011T21, 72
 DCP121
 DFL121
 DLS121
 DLS221
 DLS321
 DLSA1.0221
 DLSA1.0421
 DLSA1.0621
 DLSA2.0621
 DMP080821
 DMP081221
 DMP081621
 DMP121221
 DMP121621
 DMP122021
 DMP152021
 DMP162421
 DMP233021
 DMS121
 DPCP050504G21, 70
 DPCP050504G.U31
 DPCP050504T21, 70
 DPCP050504T.U31
 DPCP050704G21, 70
 DPCP050704G.U31
 DPCP050704T21, 70
 DPCP050704T.U31
 DPCP080806G21, 70
 DPCP080806G.U31
 DPCP080806T21, 70
 DPCP080806T.U31
 DPCP080809G21, 70
 DPCP080809G.U31
 DPCP080809T21, 70
 DPCP080809T.U31
 DPCP081206G21, 70
 DPCP081206G.U31
 DPCP081206T21, 70
 DPCP081206T.U31
 DPCP081209G21, 70
 DPCP081209G.U31

DPCP081209T21, 70
 DPCP081209T.U31
 DPCP081606G21, 71
 DPCP081606G.U31
 DPCP081606T21, 71
 DPCP081606T.U31
 DPCP081609G21, 71
 DPCP081609G.U31
 DPCP081609T21, 71
 DPCP081609T.U31
 DPCP121206G21, 71
 DPCP121206G.U31
 DPCP121206T21, 71
 DPCP121206T.U31
 DPCP121209G21, 71
 DPCP121209G.U31
 DPCP121209T21, 71
 DPCP121209T.U31
 DPCP121609G21, 71
 DPCP121609G.U31
 DPCP121609T21, 71
 DPCP121609T.U31
 DPCP122009G21, 71
 DPCP122009G.U31
 DPCP122009T21, 71
 DPCP122009T.U31
 DPCP152008G21, 72
 DPCP152008G.U31
 DPCP152008T21, 72
 DPCP152008T.U31
 DPCP162409G21, 72
 DPCP162409G.U31
 DPCP162409T21, 72
 DPCP162409T.U31
 DPCP162412G21, 72
 DPCP162412G.U31
 DPCP162412T21, 72
 DPCP162412T.U31
 DPCP233009G21, 72
 DPCP233009G.U31
 DPCP233009T21, 72
 DPCP233009T.U31
 DPCP233011G21, 72
 DPCP233011G.U31
 DPCP233011T21, 72
 DPCP233011T.U31
 DR15.061049
 DR15.061549
 DR15.0808H49
 DR15.0808M46
 DR15.081146
 DR15.081349

DR15.081646
 DR15.081849
 DR15.081946
 DR15.082549
 DR35.12/163649
 DR35.23/314049
 DR35.23/316049
 DR35.121246, 49
 DR35.122046, 49
 DR35.161646, 49
 DR35.162646, 49
 DR35.163646
 DR35.165646, 49
 DR35.202349
 DR35.232849
 DR35.233349
 DR35.252646
 DR35.2540.4146
 DR15016.421
 DR15038.421
 DR15058.421
 DR15096.421
 DR15136.421
 DR35040.419
 DR35058.421
 DR35070.419
 DR35090.419
 DR35096.421
 DR35136.421
 DR35140.419
 DR35150.526
 DR35160.421
 DR35176.421
 DR35215.419, 21
 DR35220.645
 DR35240.526
 DR35250.526
 DR35270.645
 DR35275.421
 DR35340.526
 DR35350.526
 DR35370.645
 DR35470.645
 DR35565.645
 DSH1119, 21
 DWP152

F

F1G51
 F1PA2551
 F1SS2051



OFL1	28	OPCP203013G.U	31, 32	OPCP406018T.U	32	PTK13	53	SABP131806T	17, 65
OH11	28	OPCP203013T	23, 73	OPCT202003L	25	PTK14	53	SABP131808G	17, 65
OHICP1	28	OPCP203013T.U	31, 32	OPCT203003L	25	R		SABP131808LG	17, 65
OKL1	28	OPCP203018G	23, 73	OPCT204003L	25			SABP131808LT	17, 65
OLS32	27	OPCP203018G.U	31, 32	OPCT303003L	25			SABP131808T	17, 65
OLS42	27	OPCP203018T	23, 73	OPCT304003L	25	RGM12	53	SABP131810G	17, 66
OLS42N	27	OPCP203018T.U	31, 32	OPCT306003L	25	RGM12.V0	53	SABP131810LG	17, 65
OLSA42.4	27	OPCP204006E	25	OPCT404003L	25	RGM16	53	SABP131810LT	17, 65
OLSA42.6	27	OPCP204010B	25	OPCT406003L	25	RGM16.V0	53	SABP131810T	17, 66
OLSH1	27	OPCP204013G	23, 73	OPHFPA1.04	28	RGM20	53	SABP131813G	17, 66
OLSH1.2	51	OPCP204013G.U	31, 32	OTS1	28	RGM20.V0	53	SABP131813LG	17, 66
OLT42	27	OPCP204013T	23, 73	OTSA1.04	28	RGM25	53	SABP131813LT	17, 66
OLT42KEY	27	OPCP204013T.U	31, 32	P		RGM25.V0	53	SABP131813T	17, 66
OLTA42.4	27	OPCP204018G	23, 73			RGM32	53	SABP131815G	17, 66
OLTA42.6	27	OPCP204018G.U	31, 32	PLE152	53	RGM32.V0	53	SABP131815T	17, 66
OLTA42.041	27	OPCP204018T	23, 73	PLS63	27	RGM40	53	SABP132513G	17, 66
OLW55	27	OPCP204018T.U	31, 32	PMB20	52	RGM40.V0	53	SABP132513T	17, 66
OLWA55.4	27	OPCP303006E	25	PMB25	52	RGM50	53	SABP181808G	17, 66
OLWA55.6	27	OPCP303010B	25	PMB30	52	RGM50.V0	53	SABP181808T	17, 66
OLWH1	27	OPCP303013G	23, 74	PMB40	52	RMM25.O	61	SABP181810G	17, 67
OMP2020	26	OPCP303013G.U	32	PMB50	52	RMM32.O	61	SABP181810HG	67
OMP2030	26	OPCP303013T	23, 74	PMB60	52	RMM40.O	61	SABP181810HT	67
OMP2040	26	OPCP303013T.U	32	PMB2020	52	S		SABP181810T	17, 67
OMP3030	26	OPCP303018G	23, 74	PME1	53			SABP181813G	17, 67
OMP3040	26	OPCP303018G.U	32	PMR70.1612	53	SABP081304LG	17	SABP181813HG	67
OMP3060	26	OPCP303018T	23, 74	PMR1217.12	52	SABP081304LT	17	SABP181813HT	67
OMP4040	26	OPCP303018T.U	32	PMR1217.16	52	SABP081305LG	17	SABP181813T	17, 67
OMP4060	26	OPCP304006E	25	PMR1217.20	52	SABP081305LT	17	SABP181815G	17, 67, 68
OMS1	28	OPCP304010B	25	PMR1217.25	52	SABP081306G	17	SABP181815HT	67
OPCG36KWH	25	OPCP304013G	32, 74	PMR1217.32	52	SABP081306T	17	SABP181815T	17, 67, 68
OPCG202003L	25	OPCP304013G.U	32	PMR1217.40	52	SABP081306T	17	SABP181818HG	68
OPCG203003L	25	OPCP304013T	32, 74	PMR1217.40	52	SABP081308G	17	SABP181818HT	68
OPCG204003L	25	OPCP304013T.U	32	PMR1217.50	52	SABP081308LG	17	SABP182508G	17, 68
OPCG303003L	25	OPCP304018G	23, 74	PMR1217.63	52	SABP081308LT	17	SABP182508T	17, 68
OPCG304003L	25	OPCP304018G.U	32	PMR1218.12	52	SABP081308T	17	SABP182510G	17, 68, 69
OPCG306003L	25	OPCP304018T	23, 74	PMR1218.16	52	SABP081310G	17, 63	SABP182510HG	17, 68
OPCG404003L	25	OPCP304018T.U	32	PMR1218.20	52	SABP081310LG	17	SABP182510HT	17, 68
OPCG406003L	25	OPCP306006E	25	PMR1218.25	52	SABP081310LT	17	SABP182510T	17, 68, 69
OPCM303010B	25	OPCP306010B	25	PMR1218.32	52	SABP081310T	17, 63	SABP182513HG	17, 68
OPCM303013G	23, 74	OPCP306013G	23, 74	PMR1218.40	52	SABP081313G	17, 63	SABP182513HT	17, 68
OPCM303013T	23, 74	OPCP306013G.U	32	PMR1218.50	52	SABP081313T	17, 63	SABP182515G	17, 68
OPCM303018G	23, 74	OPCP306013T	23, 74	PMR1218.63	52	SABP101004LG	17, 63	SABP182515T	17, 68
OPCM303018T	23, 74	OPCP306013T.U	32	PMR1387	53	SABP101004LT	17, 63	SABP182518HG	17, 69
OPCM304010B	25	OPCP306018G	23, 74	PMR1857	51	SABP101006G	17, 63	SABP182518HT	17, 69
OPCM304013G	23, 74	OPCP306018G.U	32	PMR1858	51	SABP101006T	17, 63	SBIA1.04	19
OPCM304013T	23, 74	OPCP306018T	23, 74	PRE2.14	26	SABP131304LG	17, 63	SBS40	19
OPCM304018G	23, 74	OPCP306018T.U	32	PRE2.32	26	SABP131304LT	17, 63	SFL1	19
OPCM304018T	23, 74	OPCP404006E	25	PRE3.14	26	SABP131305LG	17, 63	SLS35	19
OPCM306010B	25	OPCP404010B	25	PRE3.32	26	SABP131305LT	17, 63	SLS60	19
OPCM306013G	23, 74	OPCP404013G	23, 75	PRE4.14	26	SABP131306G	17, 64	SLSA23.04	19
OPCM306013T	23, 74	OPCP404013G.U	32	PRE4.32	26	SABP131306T	17, 64	SLSA35.04	19
OPCM306018G	23, 74	OPCP404013T	23, 75	PRE75.14	26	SABP131308G	17, 64	SLSA60.04	19
OPCM306018T	23, 74	OPCP404013T.U	32	PRE75.32	26	SABP131308LG	17, 64	SLW1	19
OPCP202006E	25	OPCP404018G	23, 75	PSK36.050	52	SABP131308LT	17, 64	SMP0813	19
OPCP202010B	25	OPCP404018G.U	32	PSK36.085	52	SABP131308T	17, 64	SMP1010	19
OPCP202013G	23, 73	OPCP404018T	75	PSK36.100	52	SABP131310G	17, 64	SMP1313	19
OPCP202013G.U	31, 32	OPCP404018T.U	32	PSK36.120	52	SABP131310LG	17, 64	SMP1318	19
OPCP202013T	23, 73	OPCP406006E	25	PSK36.150	52	SABP131310LT	17, 64	SMP1325	19
OPCP202013T.U	31, 32	OPCP406010B	25	PSK36.200	52	SABP131310T	17, 64	SMP1818	19
OPCP202018G	23, 73	OPCP406013G	23, 75	PSK36.250	52	SABP131313G	17, 64	SMP1825	19
OPCP202018G.U	31, 32	OPCP406013G.U	32	PSK36.300	52	SABP131313T	17, 64	SMS1	19
OPCP202018T	23, 73	OPCP406013T	23, 75	PSK36.350	52	SABP131804LG	17, 65	SPCK081310G	63
OPCP202018T.U	31, 32	OPCP406013T.U	32	PSK36.400	52	SABP131804LT	17, 65	SPCK081310T	63
OPCP203006E	25	OPCP406018G	23, 75	PSK36.450	52	SABP131805LG	17, 65	SPCK081313G	63
OPCP203010B	25	OPCP406018G.U	32	PSK36.500	52	SABP131805LT	17, 65	SPCK081313T	63
OPCP203013G	23, 73	OPCP406018T	23, 75	PTK11	53	SABP131806G	17, 65	SPCK131306G	64

WPCP203018T	24, 78
WPCP203018T.U.....	32
WPCP204013G.....	24, 79
WPCP204013G.U.....	32
WPCP204013T	24, 79
WPCP204013T.U.....	32
WPCP204018G.....	24, 79
WPCP204018G.U.....	32
WPCP204018T	24, 79
WPCP204018T.U.....	32
WPCP303013G.....	24, 79
WPCP303013G.U.....	32
WPCP303013T	24, 79
WPCP303013T.U.....	32
WPCP303018G.....	24, 79
WPCP303018G.U.....	32
WPCP303018T	24, 79
WPCP303018T.U.....	32
WPCP304013G.....	24, 79
WPCP304013G.U.....	32
WPCP304013T	24, 79
WPCP304013T.U.....	32
WPCP304018G.....	24, 79
WPCP304018G.U.....	32
WPCP304018T	24, 79
WPCP304018T.U.....	32
WPCP306013G.....	24, 80
WPCP306013G.U.....	32
WPCP306013T	24, 80
WPCP306013T.U.....	32
WPCP306018G.....	24, 80
WPCP306018G.U.....	32
WPCP306018T	24, 80
WPCP306018T.U.....	32
WPCP404013G.....	24
WPCP404013G.U.....	32
WPCP404013T	24
WPCP404013T.U.....	32
WPCP404018G.....	24
WPCP404018G.U.....	32
WPCP404018T	24
WPCP404018T.U.....	32
WPCP406013G.....	24, 80
WPCP406013G.U.....	32
WPCP406013T	24, 80
WPCP406013T.U.....	32
WPCP406018G.....	24, 80
WPCP406018G.U.....	32
WPCP406018T	24, 80
WPCP406018T.U.....	32
WQL1.1	28

Notes



ENSTO

Ensto Building Systems Finland Oy
ensto@ensto.com

ensto.com

