

New Plexo³, all the space you need

IP 65 WEATHERPROOF CABINETS



 **legrand**[®]

No constraints on your wiring: plenty of space inside the box



2
PLEXO³ - PLENTY OF SPACE FOR YOUR EASE

A wide range of cabinets...

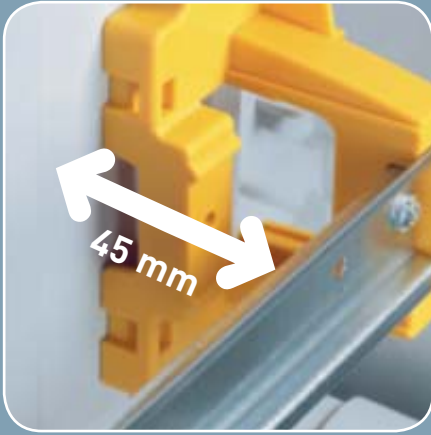


11 sizes of cabinet

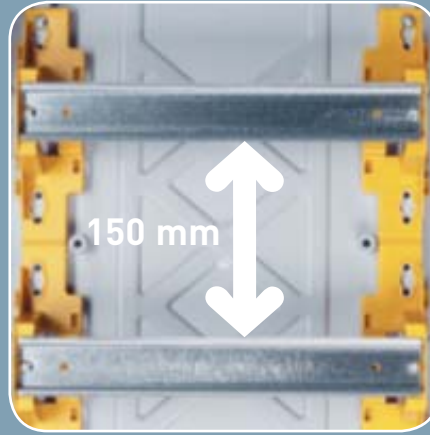
- 2 to 8 modules
- 12 modules with 1 to 3 rows
- 18 modules with 1 to 4 rows

Distribution terminal blocks not supplied

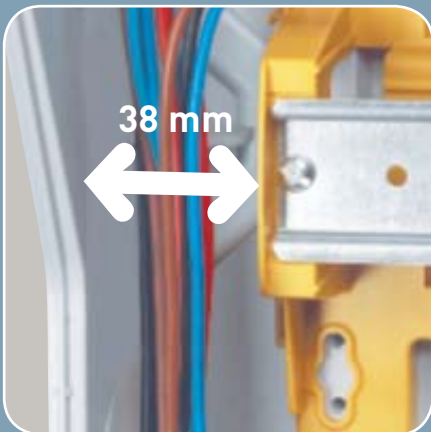
Optimised cable runs and cable organisation



▲ Space behind the rails (2-position rail with depth adjustment)



▲ Space between the rails (allowing cables to run easily)



▲ Space at the side

...suitable for all your various configurations

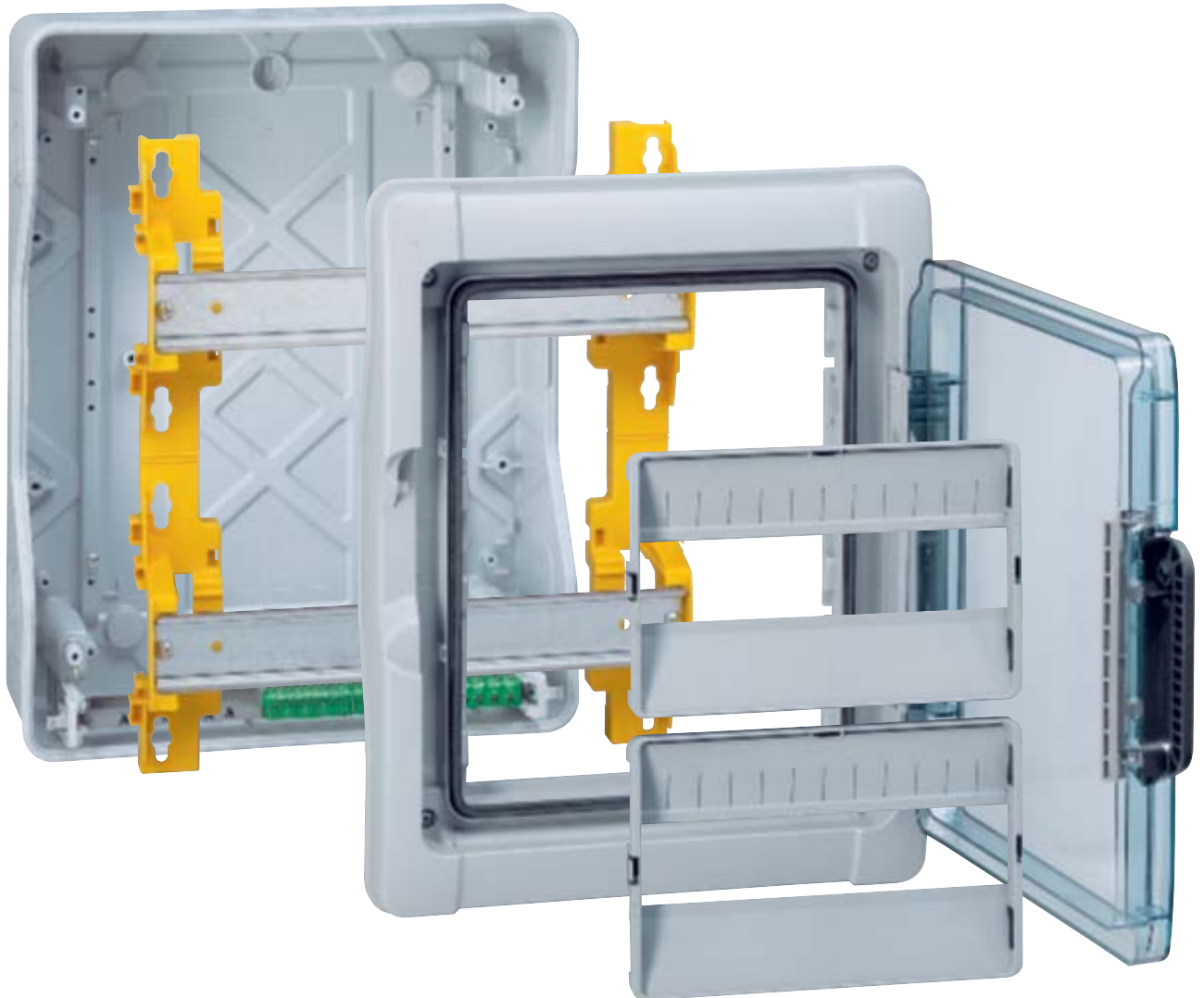


Plexo³ cabinets can take:

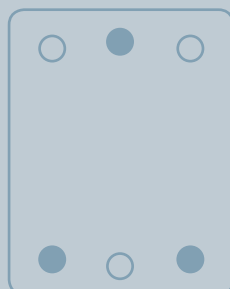
- ▶ LINA 25 pre-drilled plates for integration of non-modular products (transformers, power supplies, etc) in combination with solid faceplates
- ▶ DPX MCCBs on the 2-position rail with depth adjustment
- ▶ Solid faceplates on which Osmoz industrial control units can be fitted

Maximum convenience and modularity

4
PLEXO³ - PLENTY OF SPACE FOR YOUR EASE



Fixing the cabinet...



Each cabinet is equipped with knockout entries for 2 wall-fixing methods:

- ▶ «Hanging» fixing (1 point in the middle, 2 points at the bottom).

Distribution terminal blocks not supplied

Speed and ease of installation



- ▲ Removable faceplate: easier maintenance on individual rows



- ▲ Rails can be removed one by one

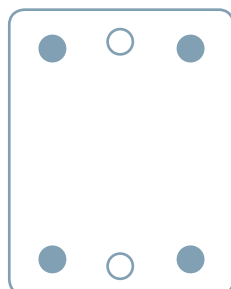


- ▲ Removable chassis for wiring outside the cabinet



- ▲ Cabinets can be fitted with terminal blocks, which can easily be repositioned, at the top and bottom of the box

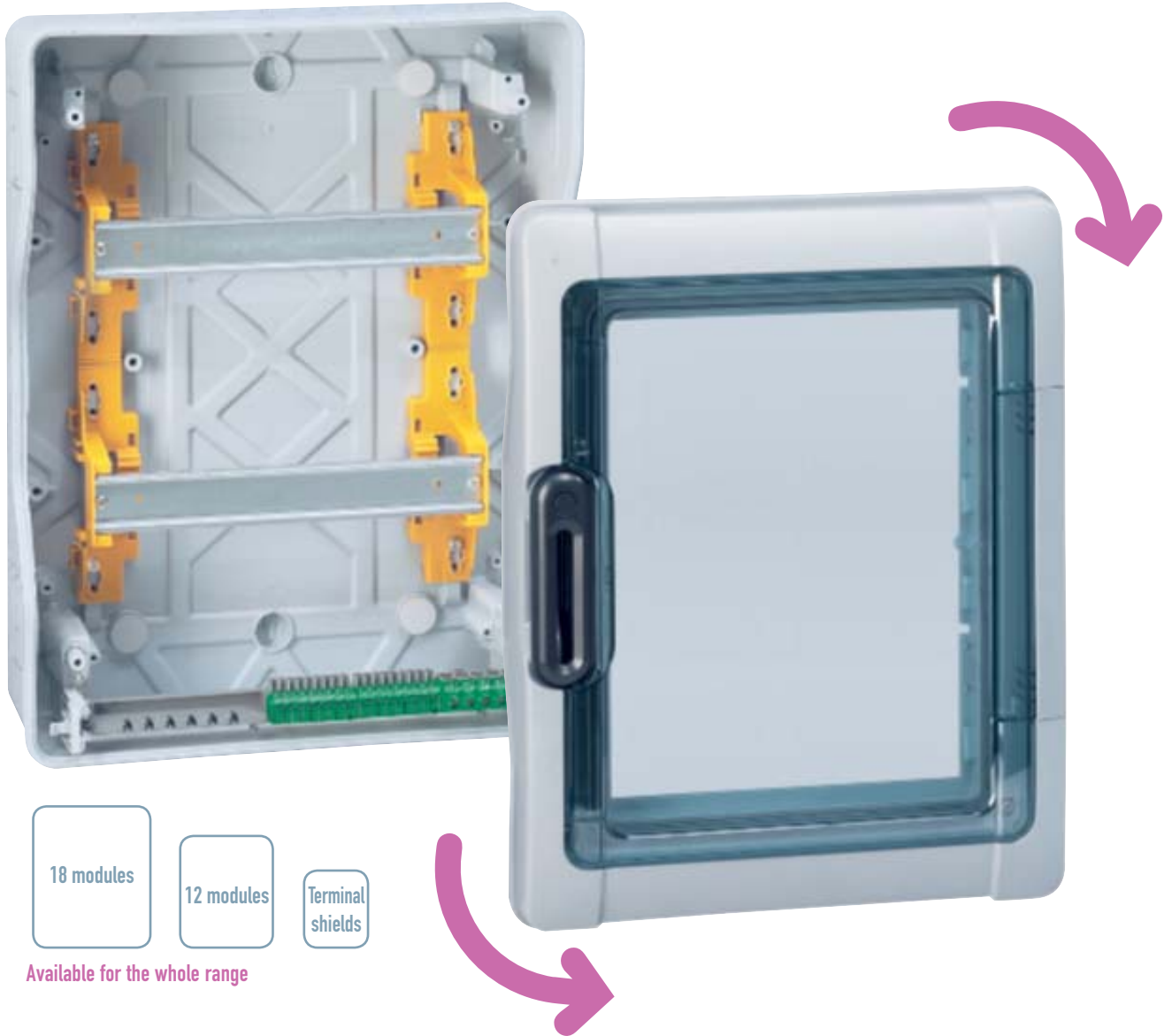
...on the wall



- ▶ Adjustable «peripheral» fixing (4 fixing points).

Fully reversible

6
PLEXO³ - PLENTY OF SPACE FOR YOUR EASE



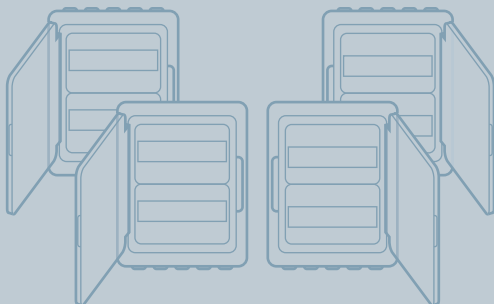
18 modules

12 modules

Terminal shields

Available for the whole range

Door and cabinet fully reversible...



It makes no difference whether the wiring runs from the top or the bottom.

Distribution terminal blocks not supplied

Stronger and with better weatherproofing, you can use them on any of your projects



▲ IP 65: weatherproofing and UV treatment guaranteed for applications in damp places



▲ IK 09: Enhanced impact resistance (shock-resistant polystyrene)



▲ Flush-mounted handle for better shock protection



▲ Double closing point to ensure a good seal

...with guaranteed security



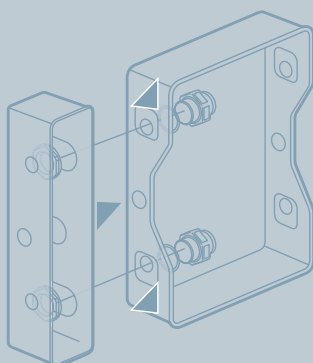
- ▶ Lead seals can be placed between the cover and the faceplate or the cover and the back of the cabinet.
- ▶ Handle can be locked with a key.

Multifunction sleeve: maximum versatility

PLEXO³ - PLENTY OF SPACE FOR YOUR EASE 8



...thanks to the joining kit



- ▶ This joining kit allows cables to be run horizontally or vertically between the multifunction sleeve and the cabinet, or between two cabinets, while maintaining IP 65 protection.

Clever accessories that save your time



- ▲ Different sizes of direct piercing end caps can be mounted at the top and bottom of the cabinet



- ▲ Knockout cable entries at the top and bottom of the cabinet



- ▲ Cable glands can be fitted according to your requirements



- ▲ Hinges which hold the cover make it easy to access the cables

Direct piercing en caps

ISO membrane glands can be pierced directly by the cable.
Tool-free fitting and removal.
IP 65, IK09 guaranteed with the cable inserted. Larger cable capacity than a standard cable gland.
Cable held securely in the membrane gland.

Non-ISO knockout cable entries

Cable entries which can be also fitted with cable glands (for commercial and industrial applications).

Plexo³

IP 65 weatherproof cabinets, multifunction sleeves and accessories



Self-extinguishing: resistance to incandescent wire 650°C
 Conform to EN 60439-3
 Weatherproof cabinets - IP 65 - IK 09 - Class II
 Door and cabinet fully reversible
 Removable chassis and faceplates from 2-row versions up
 2-position rail for modular products and moulded cases
 Spacing between rails 150 mm
 Can be fitted with perforated plates and solid faceplates for mounting non-modular products
 Lockable door handle, sealable cover and faceplate
 Shock-resistant polystyrene material
 Box colour light grey L750A, cover colour dark grey R746A
 Supplied without terminal blocks

Pack	Cat.Nos	Cabinets 2 to 8 module	
		Number of rows	Number of modules
6	6019 32	1	2 (+1)
6	6019 94	1	4
6	6019 96	1	6
6	6019 98	1	8

Pack	Cat.Nos	Cabinets 12 modules per row	
		Number of rows	No. of 5-module blanking plates
1	6018 31	1	1
1	6018 32	2	2
1	6018 33	3	2

Pack	Cat.Nos	Cabinets 18 modules per row	
		Number of rows	No. of 5-module blanking plates
1	6018 35	1	1
1	6018 36	2	2
1	6018 37	3	3
1	6018 38	4	3

Pack	Cat.Nos	Multifunction sleeves	
		Supplied with hinges connecting the cover to the back of the cabinet For use with 12 and 18-module cabinets using joining kit Cat.No 019 67 Can be fitted with control units and accessories: P17 16 A and 32 A sockets with standard fixing centres, flush-mounted IP 55 Plexo wiring accessories, Osmoz, modular rail at the back of the box	
1	019 17	Vertical For 2 rows cabinets	
1	019 18	For 3 rows cabinets	

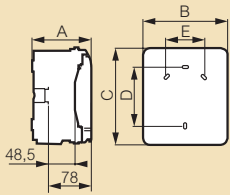
Pack	Cat.Nos	Accessories	
1	019 66	Key lock N° 850	
2	019 67	Joining kit Allows cables to be run horizontally or vertically between 2 cabinets or multifunction sleeves while maintaining IP 65 protection	
1	019 68	Sealing kit Set of 2 sealable terminal shields for cover and 8 sealable supports for faceplate	
1	019 69	Fixing lugs Set of 4 wall mounting lugs	
20	019 61	Blanking plates 5, separable into modules or 1/2 module Grey R746A	
1	019 55	Direct piercing end caps Pack consisting of 2 Ø32 mm ISO end caps, 5 Ø25 mm ISO end caps and 10 Ø20 mm ISO end caps	
2	019 64	Plain faceplates For 12 modules cabinets	
2	019 65	For 18 modules cabinets	
1	019 62	Perforated plates Allow the DIN rail to be replaced with a LINA 25 plate when integrating non-modular products For 12 modules cabinets, Height 150 mm	
1	019 63	For 18 modules cabinets, Height 150 mm	
2	019 70	Hinges Set of 2 hinges connecting the back of the cabinet to the cover	

Plexo³

IP 65 weatherproof cabinets, multifunction sleeves and accessories

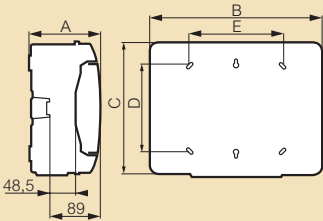
■ Dimensions

Cabinets 2, 4, 6 and 8 modules



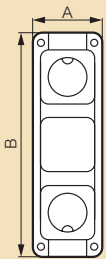
Cat.No	Dimensions (mm)				
	A	B	C	D	E
6019 32	109	93	174	94	-
6019 94	115.6	128	200	120	-
6019 96	115.6	164	200	120	70
6019 98	115.6	200	200	120	106

Cabinets 12 and 18 modules



Cat.No	Dimensions (mm)				
	A	B	C	D	E
6018 31	141	340	282	180	180
6018 32	161	340	432	330	180
6018 33	161	340	622	480	180
6018 35	141	448	282	180	288
6018 36	161	448	432	330	290
6018 37	161	448	622	480	290
6018 38	161	448	822	680	290

■ Vertical multifunction sleeves



Cat.No	Dimensions (mm)	
	A	B
019 19	137	432
019 20	137	622

■ Number of knockouts on each side

Cat.No	Top/bottom			Left/right		
	Ø20 mm	Ø25 mm	Ø32 mm	Ø20 mm	Ø25 mm	Ø32 mm
6019 32	2	-	-	-	-	-
6019 94	2	1	-	2	-	-
6019 96	4	1	-	2	-	-
6019 98	6	1	-	2	-	-
6018 31	7	2	2	-	-	2
6018 32	13	2	2	-	-	3
6018 33	13	2	2	-	-	4
6018 35	12	2	3	-	-	2
6018 36	13	4	3	-	-	3
6018 37	13	4	3	-	-	4
6018 38	13	4	3	-	-	5

■ Old/new range cross reference table

Old Plexo Cat.Nos	New Plexo ³ Cat.Nos	Number of rows	Total number of modules
Cabinets 2 to 8 modules			
017 32	6019 32	1	2 (+1)
017 34	6019 94	1	4
017 36	6019 96	1	6
017 38	6019 98	1	8
Cabinets 12 modules per row			
017 41	6018 31	1	12
017 42	6018 32	2	24
017 43	6018 33	3	36
Cabinets 18 modules per row			
-	6018 35	1	18
017 45	6018 36	2	36
017 46	6018 37	3	54
-	6018 38	4	72



**World Headquarters and
International Department
87045 LIMOGES CEDEX FRANCE**

☎ : + 33 5 55 06 87 87
☎ : + 33 5 55 06 74 55
www.legrandgroup.com